

FMT1700  
Extra Large Panelstand



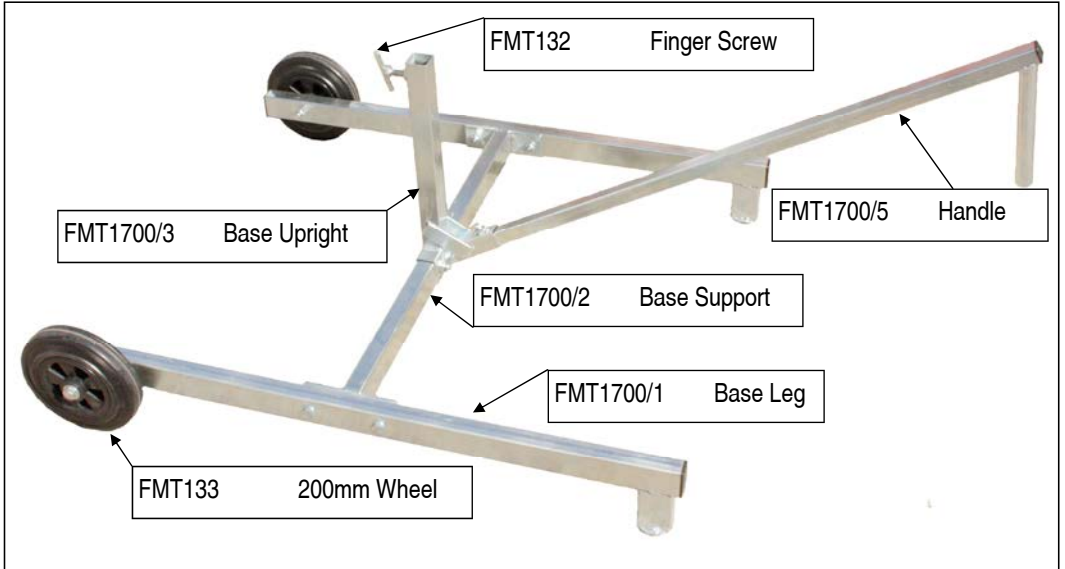
Parts Diagram



FMT1700  
Extra Large Panelstand



Base Assembly



Completed Base

Base Frame Components



<b>Product Code</b>	<b>Description</b>	<b>Quantity</b>
FMT1229/1	FMT1229 Double Hook Frame	4.00
FMT131/1	Swivel Lock T pc	3.00
FMT131/2	FMT131 Swivel Lock Device Eye Bolt	2.00
FMT132	Quick Release Screw For All FastMover Stands M10 Male Thread	9.00
FMT133	Wheel, Rubber Tyre, Plastic Centre, 200mm, 205Kg Weight Capa	2.00
FMT133TUBE	FMT133 Wheel Tube	2.00
FMT137/A	FMT137 Threaded Bar	2.00
FMT1450/7	Swivel Plate For FMT1253, FMT1700, FMT1900	1.00
FMT1700/1	Base Leg For FMT1700	2.00
FMT1700/2	Base Support Frame For FMT1700	1.00
FMT1700/3	Base Upright for FMT1700 Base	1.00
FMT1700/4	1200mm Hook Holder FMT1700, FMT1800	2.00
FMT1700/5	Main Upright and Swivel Plate Tube For FMT1700	1.00
FMT1700/6	1200mm Hook Holder Support Bar For FMT1700	1.00
FMT1700/H	Handle For FMT1700, FMT1800 Base	1.00
FMT1700/H/RUBBER	25mm Rubber Sleeve For FMT1700/HANDLE	1.00
FMT187/1	Swivel Lock Device Bent Washer	1.00
FMT256/1	Bar Lock Frame For FMT256	2.00
M10NYLOC	M10 Nyloc	7.00
M10WS	M10 Form A Steel Washer	16.00
M10X25	M10 x 25mm Set Screw	1.00
M10X40	M10 x 40mm Set Screw	2.00
M10X50	M10 x 50mm Set Screw	7.00
M12NYLOC	M12 Nyloc	2.00
M12WASHER	M12 Form C Washer 28mm OD	7.00
M12X120	M12 x 120mm Set Screw	2.00