

DEVILBISS

EN



SB-E-2-856 ISS.03

CE Ex II 2 G X

Technical Bulletin

GTIPRO LITE G HVLP and High Efficiency Gravity
Spray Gun (For Industry)



Table of Contents

Topic	Page
EC Declaration of Conformity	3
Part Numbers	3
Operational Description	3
Kit contents	4
Construction Features	4
Materials of Construction	4
Specifications & Technical Data	4
Safety Precautions	5
Parts List	6
Exploded parts View	7
Installation, Operation, Preventive Maintenance & Cleaning	8
Parts Replacement/Maintenance	9
A. Servicing Air Valve	9
B. Needle Packing, Fluid Insert, Spreader Valve Assembly	11
C. Spray Head Seal Replacement	12
D. Chart 1 – Air Caps, Chart 2 – Fluid Nozzles & Fluid Needles	13
Troubleshooting Possible Problems in Operation	14
Accessories	16
Warranty	16

EC Declaration of Conformity

We, Finishing Brands UK Limited, Ringwood Rd, Bournemouth, Dorset, BH11 9LH, UK, as the manufacturer of the Spray gun model **GTIPRO LITE G**, declare, under our sole responsibility, that the equipment to which this document relates is in conformity with the following standards or other normative documents:

BS EN ISO 12100: 2010, BS EN 1953:2013; and thereby conform to the protection requirements of Council Directive 2006/42/EC relating to Machinery Safety Directive, and; EN 13463-1:2009, council Directive 94/9/EC relating to Equipment and Protective Systems intended for use in Potentially Explosive Atmospheres protection level II 2 G X.

This product also complies with the requirements of the EPA guidelines, PG6/34. Transfer efficiency certificates are available on request.



D. Smith, Director of Sales (EMEA)
5th May 2016

Finishing Brands UK Limited reserves the right to modify equipment specification without prior notice.

Part Numbers

The ordering code for the **GTIPRO LITE G** Spray gun is;

E.g. PROLT-GTE10-12 where;

G	=	Gravity Gun
TE10	=	TE10 Aircap
12	=	1.2 Nozzle

See charts 1 & 2 p13 for available Aircap/Nozzle sizes

Operational Description

This **GTIPRO LITE G** Spray Gun is a professional quality gun designed with both high volume, low pressure (HVLP) technology or High Efficiency EPA compliant technology. HVLP Technology reduces overspray and limits air cap pressure to 0.7 bar (10 psi). High Efficiency complies with EPA by obtaining transfer efficiency above 65%.

IMPORTANT: These Sprayguns are suitable for use with both waterbased and solvent based coating materials. These guns are not designed for use with highly corrosive and/or abrasive materials and if used with such materials it must be expected that the need for cleaning and/or replacement of parts will be increased. If there is any doubt regarding the suitability of a specific material, contact your DeVilbiss Distributor or DeVilbiss direct.

NOTE: This gun is not to be used with halogenated hydrocarbon solvents or cleaning agents such as 1,1,1,-Trichloroethane or methylene chloride. These solvents can react with the aluminium components used in this gun and cup. The reaction can become violent and lead to an equipment explosion.

Kit contents (all models)			
1	GTIPRO LITE Gravity Feed Spraygun	1	Spanner (10mm and 14mm A/F)
1	GFC Gravity feed cup	1	Torx/Flat blade screwdriver
1	Cup Filter	1	Cleaning Brush
1	Set of 4 coloured identification rings	1	Service bulletin

Construction Features			
1	Air Cap (nickel plated brass for long durability)	10	Fan Air Adjustment (stepless regulation for fan to round spray)
2	Air Cap Retaining Ring (allows easy rotation of air cap)	11	Fluid Adjustment (stepless regulation of fluid volume)
3	Fluid Nozzle (ideal for most paint systems)	12	Interchangeable Colour ID System (4 coloured rings supplied)
4	Fluid Needle (grooved stem for easy removal)	13	Anodised, forged aluminium gun body (ergonomic, good looking & durable, easy to clean)
5	Fluid Inlet (3/8 BSP thread – accepts DeVilbiss and most other cup systems)	14	500cc Acetal Cup (easy clean, anti-static)
6	Air Inlet (universal thread, accepts G 1/4 & 1/4 NPS)	15	Cup Lid with Drip Free Vent (avoid drips)
7	Self Adjusting Needle Packing (for trouble free operation)	16	Air Valve (design offers low pull force & low pressure drop)
8	Trigger (ergonomic for comfort)	17	Gun acceptable for waterborne and solvent borne applications
9	Trigger Stud & Screw (easy replacement design)		

Materials of Construction	
Gun Body	Anodised aluminium
Air Cap,	Nickle Plated Brass
Fluid Nozzle, Fluid Needle, Fluid Inlet, Trigger Stud	Stainless steel
Adjusting Knobs, Air Cap Retaining Ring,	Anodized aluminium
Springs, Clips, Screws	Stainless steel
Seals, Gaskets	Solvent resistant
Trigger	Chrome plated steel
Air Inlet, Body Bushing, Spreader Valve Body, Air Valve Nut.	Chrome plated brass
Air Valve Assembly	Aluminium

Specifications & Technical Data	
Air Supply Connection	Universal 1/4" BSP and 1/4" NPS male
Maximum Static Air Inlet Pressure	P1 = 12 bar (175 psi)
Gun Air Inlet Pressure for HVLP and High Efficiency® both with gun triggered.	0.69 bar (10 psi) 2.0 bar (29 psi)
Fluid Supply Connection	3/8" BSP
Service Temperature	0 to 40°C (32 to 104°F)
Gun Weight (gun only) (with cup)	446g 629g



SAFETY WARNINGS

Fire and explosion



Solvents and coating materials can be highly flammable or combustible when sprayed. ALWAYS refer to the coating material supplier's instructions and COSHH sheets before using this equipment.



Users must comply with all local and national codes of practice and insurance company requirements governing ventilation, fire precautions, operation and house-keeping of working areas.



This equipment, as supplied, is NOT suitable for use with Halogenated Hydrocarbons.



Static electricity can be generated by fluid and/or air passing through hoses, by the spraying process and by cleaning non-conductive parts with cloths. To prevent ignition sources from static discharges, earth continuity must be maintained to the spray gun and other metallic equipment used. It is essential to use conductive air and/or fluid hoses.



Personal Protective Equipment



Toxic vapours – When sprayed, certain materials may be poisonous, create irritation or be otherwise harmful to health. Always read all labels, safety data sheets and follow any recommendations for the material before spraying. If in doubt, contact your material supplier.



The use of respiratory protective equipment is recommended at all times. The type of equipment must be compatible with the material being sprayed.



Always wear eye protection when spraying or cleaning the spray gun.



Gloves must be worn when spraying or cleaning the equipment.

Training – Personnel should be given adequate training in the safe use of spraying equipment.

Misuse

Never aim a spray gun at any part of the body.

Never exceed the maximum recommended safe working pressure for the equipment.

The fitting of non-recommended or non-original spares may create hazards.

Before cleaning or maintenance, all pressure must be isolated and relieved from the equipment.

The product should be cleaned using a gun-washing machine, and should be removed and dried immediately after cleaning is completed. Prolonged exposure to cleaning solutions can cause damage to the product.

Noise Levels



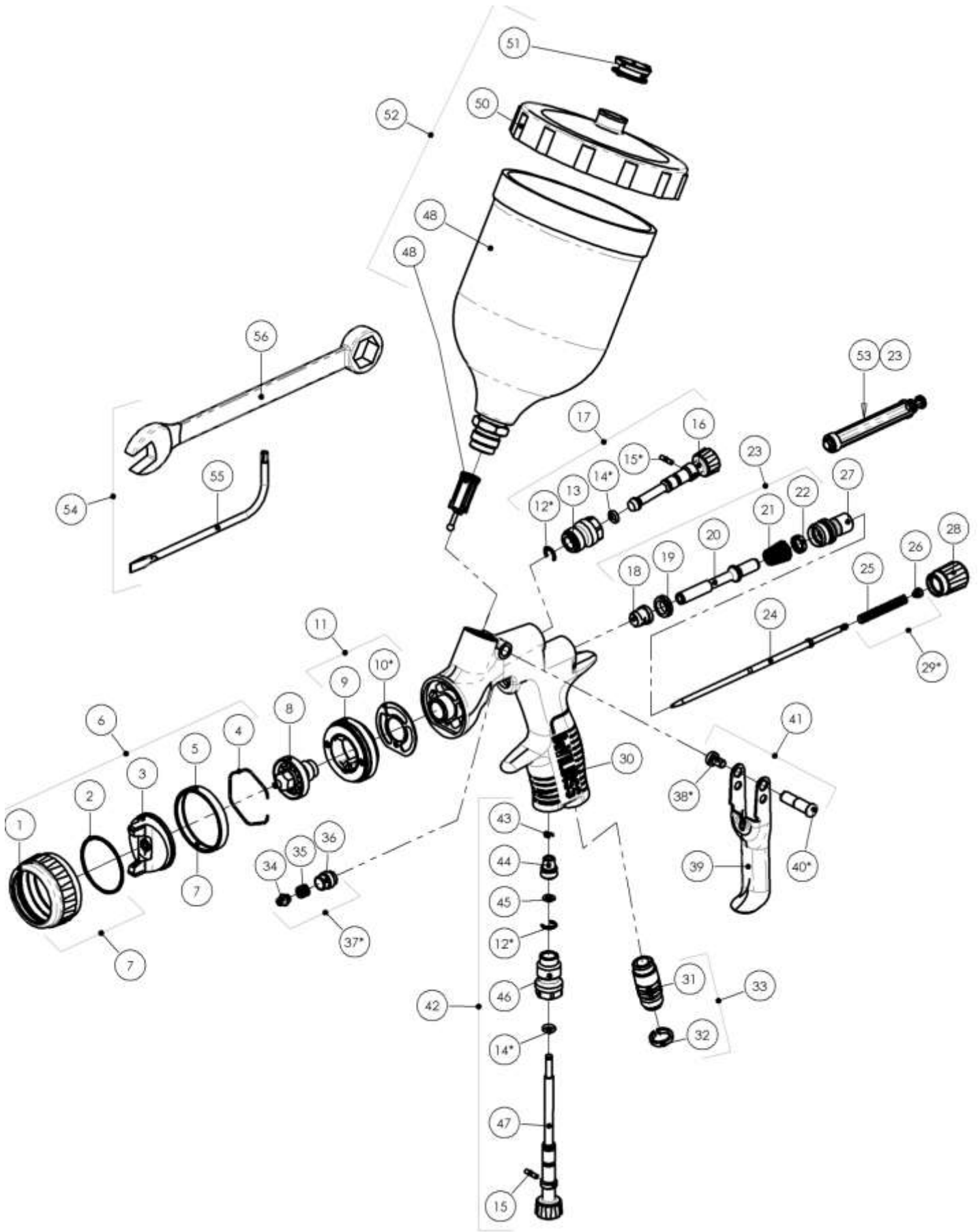
The A-weighted sound level of spray guns may exceed 85 dB (A) depending on the set-up being used. Details of actual noise levels are available on request. It is recommended that ear protection is worn at all times when spraying.

Operating

Spray equipment using high pressures may be subject to recoil forces. Under certain circumstances, such forces could result in repetitive strain injury to the operator.

PARTS LIST

REF. NO.	DESCRIPTION	PART NO.	QTY	REF. NO.	DESCRIPTION	PART NO.	QTY
1	Air Cap Retaining Ring	-	1	30	Gunbody	-	1
2	Slip Ring	-	1	31	Air Inlet	-	1
3	Air Cap	-	1	32	Colour ID Ring Kit (4 Colours)	SN-26-K4	1
4	Air Cap Retaining Clip	JGA-156-K5	1	33	Air Inlet Kit	SN-9-K	1
5	Retaining Ring Seal	-	1	34	Needle Packing	-	1
6	Aircap & Ring	See chart 1 p13	1	35	Packing Spring	-	1
7	Air Cap Retaining Ring & Seals	PRO-420-K	1	36	Packing Nut	-	1
8	Fluid Nozzle Kit	See chart 2 p13	1	*37	Packing, Spring and Packing Nut Kit	SN-404-K	1
9	Spray Head	-	1	*38	Trigger Screw	-	1
*10	Spray head Seal	SN-18-1-K2	1	39	Trigger	-	1
11	Spray head kit	SN-69-K	1	*40	Trigger Stud	-	1
*12	Circlip	-	1	41	Trigger Stud & Screw Kit	SP-617-CR-K	1
13	Valve Body	-	1	42	Airflow Valve	PRO-407-K	1
*14	O Ring	-	1	43	Circlip - Kit of 5	25746-007-K5	1
*15	Spreader Valve Pin	-	2	44	Valve Head	-	1
16	Spreader Valve Adjusting Knob	-	1	45	Washer	-	1
17	Spreader Valve Assembly	PRO-406-K	1	46	Valve Body	-	1
18	Front Valve Seal	-	1	47	Valve Adjusting Knob	-	1
19	Valve Seat	-	1	48	Filter	KGP-5-K5	1
20	Spindle	-	1	49	Gravity Cup	-	1
21	Air Valve Spring	-	1	50	Gravity Cup Lid	GFC-402	1
22	Rear Valve Seal	-	1	51	Drip Check Lid (kit of 5)	GFC-2-K5	1
23	Air Valve Kit	PRO-471	1	52	Gravity Cup Kit	GFC-501	1
24	Fluid Needle	PRO-301-K	1	+53	Air Valve Service Tool	-	1
25	Needle Spring	-	1	54	Tool kit	SN-406	1
26	Spring Pad	-	1	SERVICE PARTS			
27	Housing	SN-66-K	1	Spray Gun repair kit (includes items marked *)		PRO-470	
28	Fluid Adjusting Knob	SN-67-C-K	1	Seal and Pin Kit, kit of 5 (items 12, 14 and 15)		GTI-428-K5	
*29	Needle Spring Kit	PRO-472-K3	1	+ Not included in the Gun Kit, only with ref 23			



INSTALLATION

For maximum transfer efficiency, do not use more pressure than is necessary to atomise the material being applied. **NOTE: when using the HVLP do not exceed 1.75 bar inlet pressure.**

1. Connect the gun to a clean, moisture and oil free air supply using a conductive hose, of at least 8 mm I.D.

NOTE

Depending on hose length, larger I.D. hose may be required. Install an air gauge at the gun handle. When gun is triggered on, adjust regulated pressure to 2.0 bar for High Efficiency Aircaps and 1.75 bar for HVLP. Do not use more pressure than is necessary to atomise the material being applied. Excess pressure will create additional overspray and reduce transfer efficiency.

NOTE

If quick connect couplings are required, use only high flow quick connects approved for HVLP use. Other types will not flow enough air for correct gun operation.

NOTE

If an air adjusting valve is used at the gun inlet, use DGIPRO-502-BAR Digital Gauge. Some competitive adjusting valves have significant pressure drop that can adversely affect spray performance. The DGIPRO Digital Gauge has minimal pressure drop, which is important for HVLP spraying.

2. Insert the filter (48) into the inlet of the Gravity Cup. Make sure the body of the filter is pushed fully so the body of the filter does not protrude from the cup insert.
3. Attach the gravity feed cup to the material inlet.



NOTE

Before using the gun, flush it with solvent to ensure that the fluid passages are clean.

OPERATION

1. Mix coating material to manufacturer's instructions and strain material.
2. Fill the cup to no more than 20 mm from the top of the cup. **DO NOT OVERFILL.**
3. Attach Cup Lid.
4. Turn fluid adjusting knob (28) clockwise to prevent fluid needle movement.
5. Turn spreader valve adjusting knob (16) counter clockwise to fully open.
6. Adjust inlet air pressure if required.
7. Turn fluid adjusting knob (28) counter clockwise 5 turns for full needle travel.
8. Test spray. If the finish is too dry, reduce airflow by reducing air inlet pressure.

9. If finish is too wet, reduce fluid flow by turning fluid adjusting knob (28) clockwise. If atomisation is too coarse, increase inlet air pressure. If too fine, reduce inlet pressure.
10. The pattern size can be reduced by turning spreader valve knob (16) clockwise.
11. Hold gun perpendicular to surface being sprayed. Arcing or tilting may result in uneven coating.
12. The recommended spray distance is 150-200 mm.
13. Spray edges first. Overlap each stroke a minimum of 75%. Move gun at a constant speed.
14. Always turn off air supply and relieve pressure when gun is not in use.

PREVENTIVE MAINTENANCE & CLEANING

To clean air cap and fluid nozzle, brush exterior with a stiff bristle brush. If necessary to clean cap holes, use a broom straw or toothpick if possible. If a wire or hard instrument is used, extreme care must be used to prevent scratching or burring of the holes which will cause a distorted spray pattern.

To clean fluid passages, remove excess material from cup, then flush with gun wash solution. Wipe the gun exterior with a dampened cloth. Never completely immerse in any solvent or cleaning solutions as this is detrimental to the lubricants and life of the spray gun.

NOTE

When replacing the fluid nozzle or fluid needle, replace both at the same time. Using worn parts can cause fluid leakage. See page 13, Chart 2. Also, replace the needle packing at this time. Torque the fluid nozzle to 18–20 Nm. Do not over tighten.

CAUTION

To prevent damage to fluid nozzle (8) or fluid needle (24), be sure to either 1) pull the trigger and hold while tightening or loosening the fluid nozzle, or 2) remove fluid adjusting knob (28) to relieve spring pressure against needle collar.

CAUTION

IMPORTANT– the Gravity cup is made from special anti-static materials, but it is still important to avoid generating static charges. The Cup must not be cleaned or rubbed with a dry cloth or paper. It is possible to generate a static charge by rubbing which, if discharged to an earthed object could create an incendive spark and cause solvent vapours to ignite. Only use a dampened cloth or antistatic wipes if manual cleaning is required within a hazardous area.

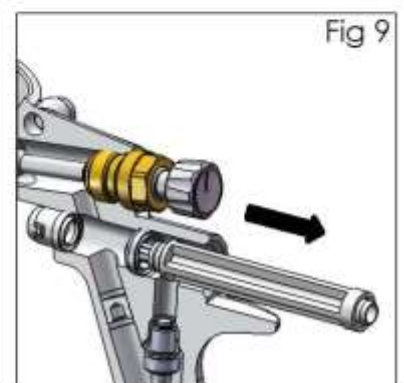
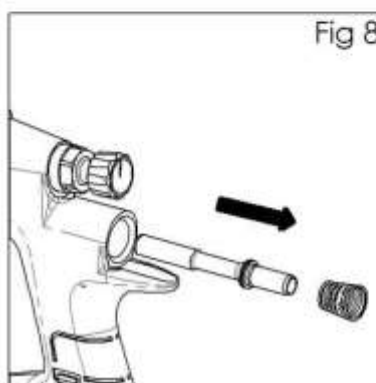
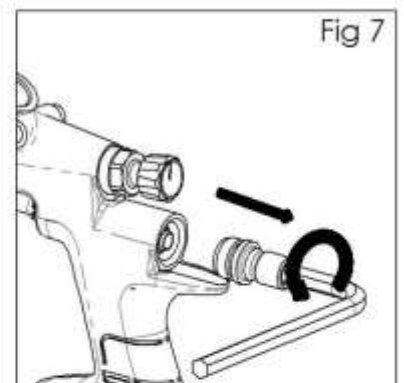
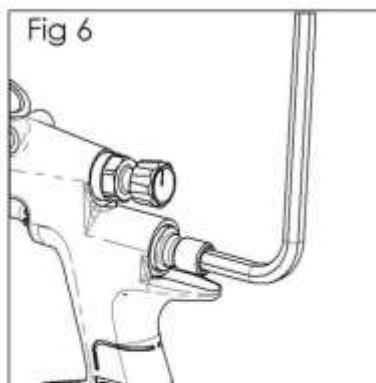
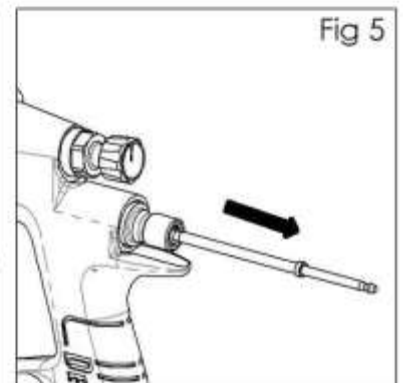
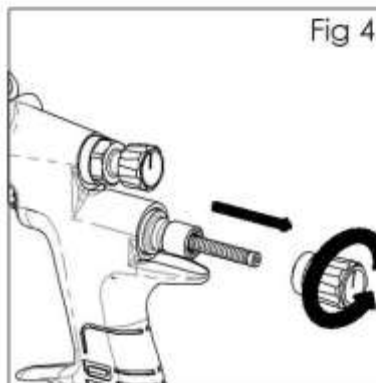
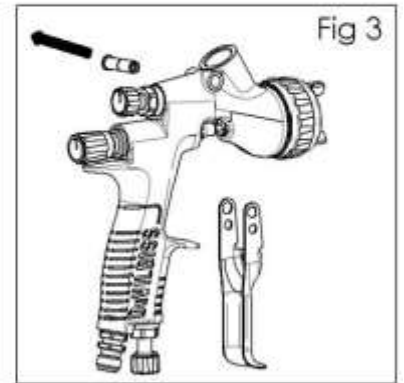
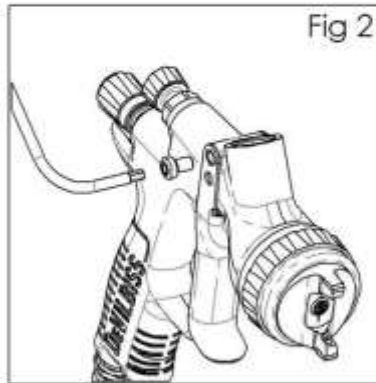
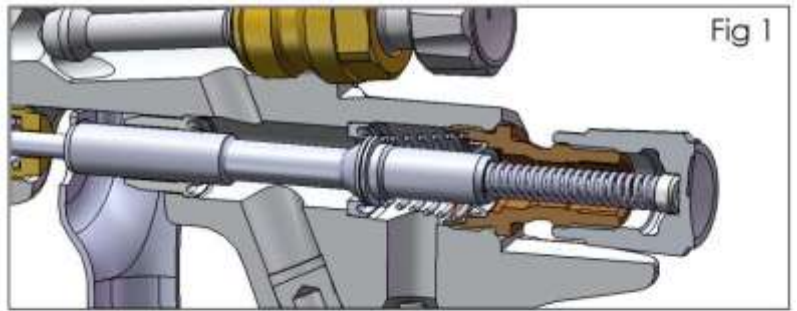
Parts Replacement/Maintenance

AIR VALVE INSTRUCTIONS

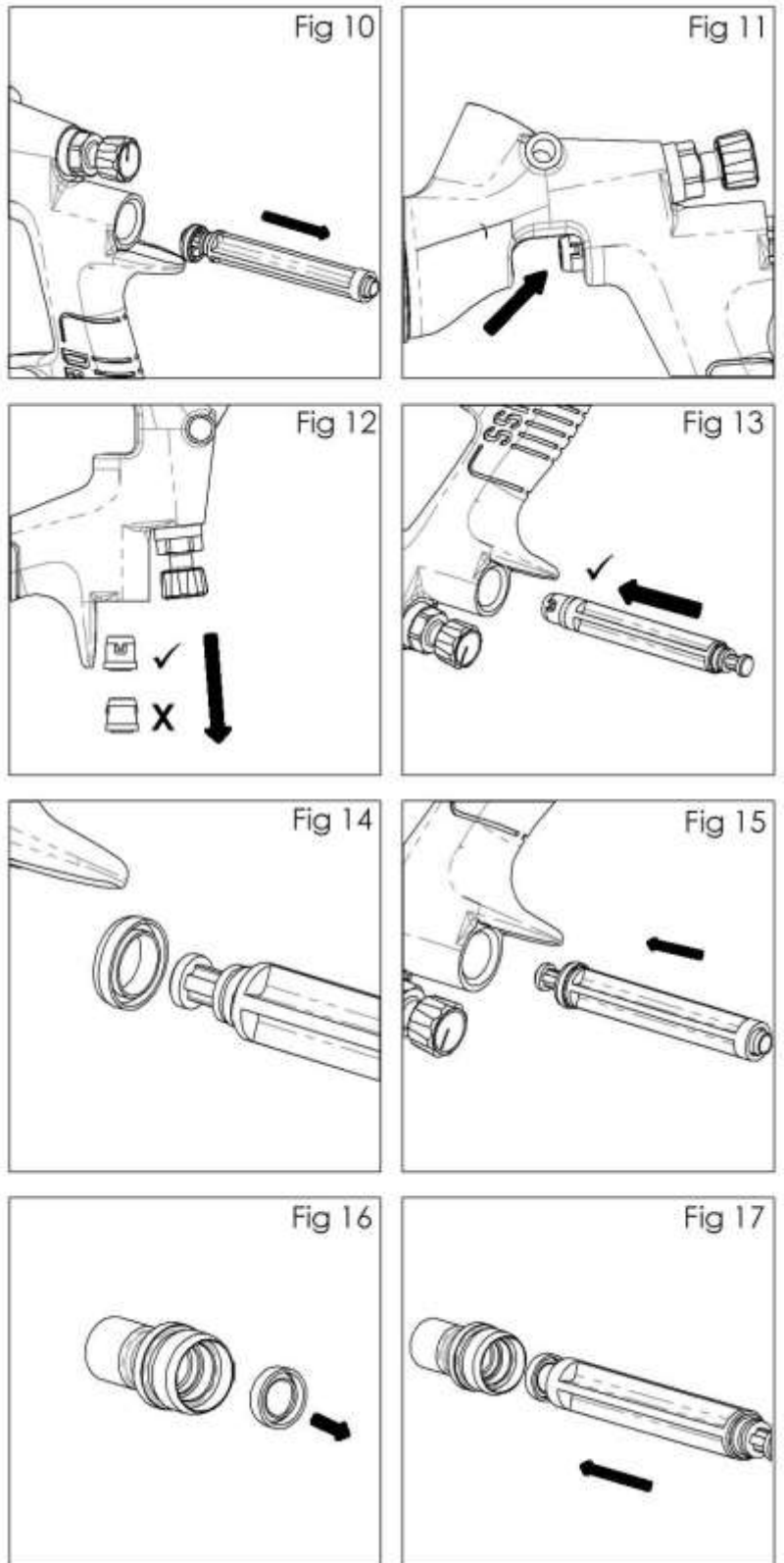
Servicing Air Valve

Reasons to service air valve:

- A) Air valve not functioning correctly (may need cleaning).
 - B) Routine maintenance.
 - C) Air leaks.
1. Remove trigger screw (38) with Torx tool (55) or Torx T20 key. (See fig 2).
 2. Remove trigger stud (40) and remove trigger (39) (See fig 3).
 3. Remove fluid adjusting knob (28) and spring (29). (See fig 4).
 4. Remove fluid needle (24) (See fig 5).
 5. Using a 6mm hex key, remove Valve housing (27). (See Figs 6 and 7).
 6. Remove spring (21) and valve spindle (20). (See Fig 8).
 7. Using service tool (53), engage groove behind the valve seat (19) (See Fig 9).



8. Withdraw the valve seat (19) from the gun body. (See fig 10).
9. Push out the front airvalve seal (18) with a finger. (See fig 11).
10. Turn the Gun upside down and let the seal fall out. (See fig 12).
11. Fit New front seal (18) to service tool (53). Fit into gunbody and press firmly to ensure Seal is engaged. (See fig 13).
12. Fit a new valve seat (19) to service tool (53). Groove must face outwards. (See fig 14).
13. Fit valve seat (19) to gunbody. (See fig 15)
14. Remove rear airvalve seal (22) from housing (27) with a hooked instrument. (See fig 16).
15. Fit new seal (22) to service tool (53). Groove must face outwards. Press seal (22) to housing (27). (See fig 17)
16. Reassemble remaining parts in reverse order - valve (20), spring (21), housing (27) and tighten with 6mm hex key, needle (24) spring (29) and knob (28). Replace trigger (39), fitting trigger stud (40), and screw in the trigger screw (38) with Key (55) or Torx Key T20.
17. Trigger gun fully and screw in fluid adjusting knob (28) until it stops. Back it off 1/2 turn and gun will have full needle travel.
18. Trigger gun several times to verify correct operation.

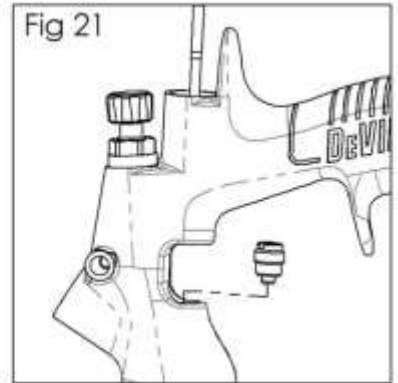
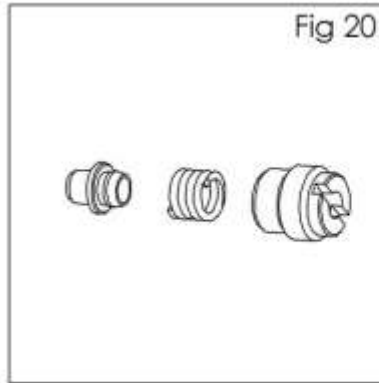
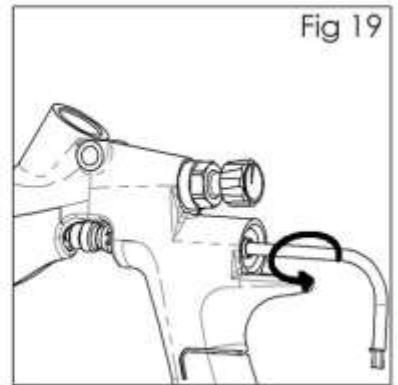
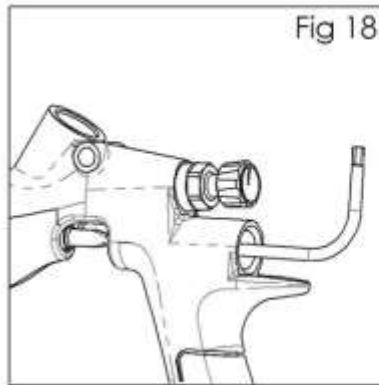


Parts Replacement/Maintenance

NEEDLE PACKING

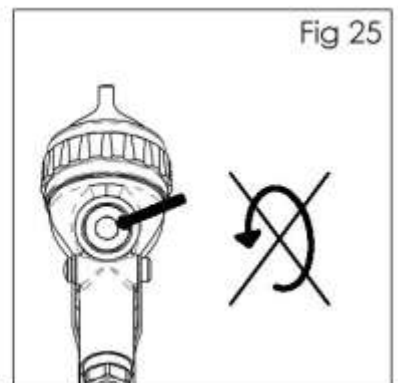
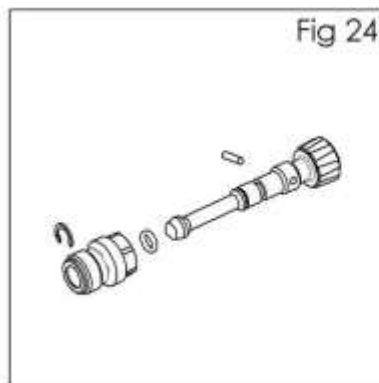
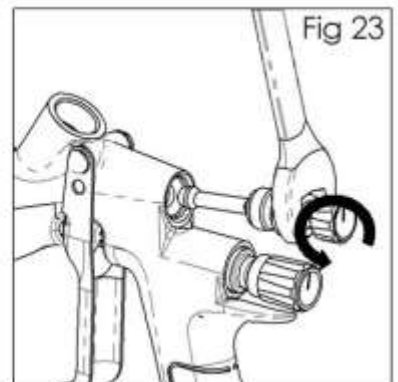
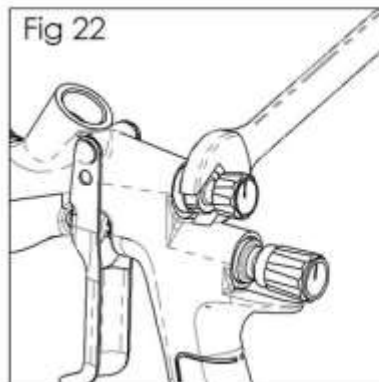
REPLACEMENT INSTRUCTIONS

1. Remove trigger and needle following steps 1 to 6 on P9, servicing airvalve.
2. Loosen and remove packing nut using Key (57) or a straight blade screwdriver. (See figs 18 & 19)
3. Discard old packing (34) and packing spring (35) if replacing.
Clean packing if reusing. Also clean packing spring and nut (36). (See fig 20).
4. Re-assemble the packing, assemble into gunbody by hand and then tighten. (See fig 21)
5. Complete re-assembly following 16 to 24 on P10.



SPREADER VALVE ASSEMBLY REPLACEMENT/MAINTENANCE

The spreader valve assembly can be replaced if damaged. Remove using 14 mm Spanner (56) (See figs 22 & 23). The internal seal can be replaced and is included in the Gun Rebuild Kit (See fig 24).



FLUID SUPPLY INSERT

The fluid insert and seal are NOT replaceable. (See fig 25).

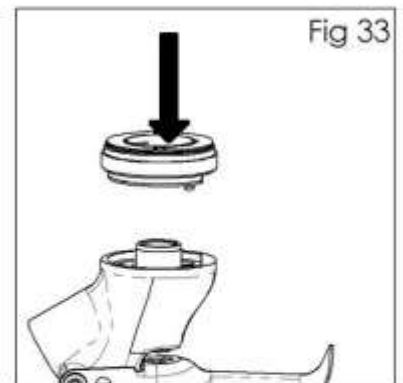
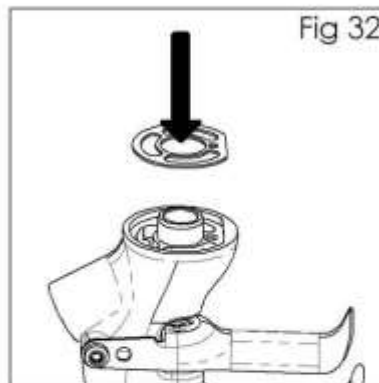
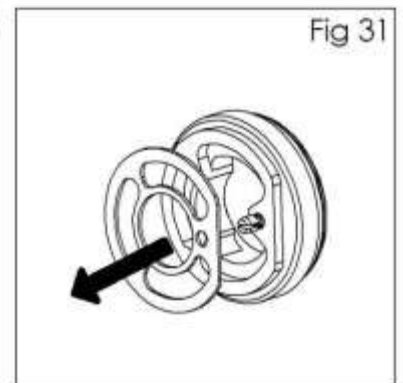
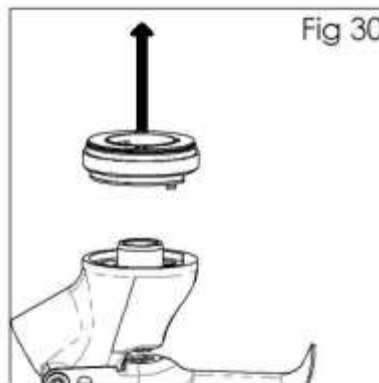
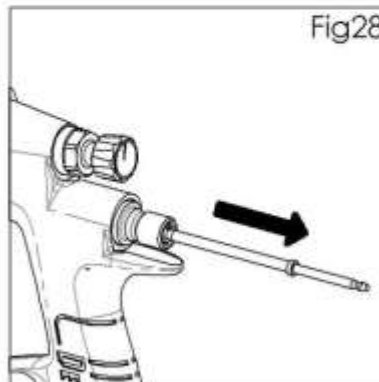
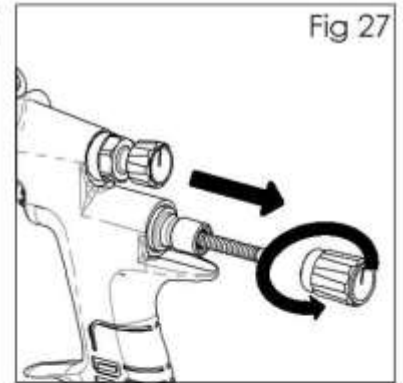
Do not remove these parts.

No maintenance is required for these parts other than regular cleaning of the internal bore.

Parts Replacement/ Maintenance

SPRAY HEAD SEAL REPLACEMENT

1. Remove air cap and retaining ring (6). (See fig 26).
2. Remove fluid adjusting knob (28), spring (25), and spring pad (26). (See fig 27).
3. Remove fluid needle (24) from gun body. (See fig 28).
4. Remove fluid nozzle using 10mm Spanner (56). (See fig 29)
5. Remove spray head (9) and Seal (10) (See fig 30).
6. Remove seal (10) from spray head. (See fig 31).
7. Clean front of gun if required, using a soft brush, as well as the fluid nozzle, air cap, and retaining ring.
8. Place a new seal (10) into the front of the gun, making sure the flat of the seal is aligned to the flat in the gun. (See fig 32).
9. Fit the spray head (9), making sure the pin is engaged into the hole in the gunbody. (See fig 33).
10. Fit fluid nozzle (8), air cap and retaining Ring (6). Torque the fluid nozzle to 18–20 Nm (160–180 lbs.in). Do not over torque the fluid nozzle. (See figs 34, and 35)
11. Reassemble remaining parts in reverse order - fluid needle (24), Needle spring and pad (29), and fluid adjusting knob (28).
12. Trigger gun fully and screw in fluid adjusting knob (28) until it stops. Back it off 1/2 turn and gun will have full needle travel.
13. Trigger gun several times to verify correct operation.



Parts Replacement/Maintenance

Chart 1 – Air Caps

PART No. FOR AIR CAP	TECHNOLOGY	MARKING ON AIR CAP	RECOMMENDED INLET PRESSURE (bar)	AIR FLOW (L/min) @ 2 bar
PRO-102-HV30-K	HVLP	HV30	1.75	465
PRO-102-TE10-K	HIGH EFFICIENCY	TE10	2.0	275
PRO-102-TE20-K	HIGH EFFICIENCY	TE20	2.0	350

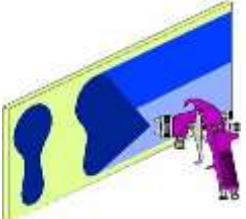

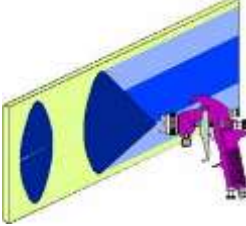
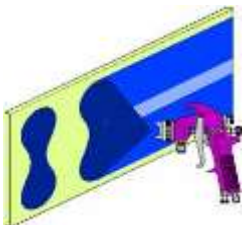
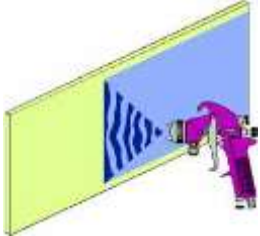
NOTE: When removing air cap from retaining ring, don't remove the Slip Ring (2) or Retaining Ring Seal (5) from the Retaining Ring. Damage to the parts may occur. Slip ring and Retaining Ring seal are not available as replacements. Simply wipe parts clean and reassemble with new or clean air cap.

Chart 2 – Fluid Nozzle Range & Fluid Needle

PART No. FOR FLUID NOZZLE	PART No. NEEDLE
PRO-200-12-K	PRO-301-K
PRO-200-13-K	
PRO-200-14-K	
PRO-200-16-K	PRO-303-K
PRO-200-18-K	
PRO-200-20-K	

NOTE: When replacing the fluid nozzle or fluid needle, replace both at the same time. Torque to 18–20 Nm (160–180 lbs.in). Do not over tighten the fluid nozzle. Use SN-28 (56) 10mm Spanner supplied with the gun and check with a torque wrench.












Troubleshooting Possible Problems in Operation

CONDITION	CAUSE	CORRECTION
<p>Heavy top or bottom pattern</p>  <p>Heavy right or left side pattern</p> 	<p>Horn holes plugged.</p> <p>Obstruction on top or bottom of fluid nozzle.</p> <p>Cap and/or nozzle seat dirty.</p> <p>Left or right side horn holes plugged.</p> <p>Dirt on left or right side of fluid nozzle.</p>	<p>Clean. Ream with non-metallic point.</p> <p>Clean.</p> <p>Clean.</p> <p>Clean. Ream with non-metallic point.</p> <p>Clean.</p>
<p>Remedies for the top-heavy, bottom-heavy, right-heavy, and left-heavy patterns:</p> <p>1. Determine if the obstruction is on the air cap or the fluid nozzle. Do this by making a test spray pattern. Then, rotate the cap one-half turn and spray another pattern. If the defect is inverted, obstruction is on the air cap. Clean the air cap as previously instructed. Also check for dried paint just inside the cap centre hole opening; remove by washing with solvent.</p> <p>2. If the defect is not inverted, it is on the fluid nozzle. Clean nozzle. If problem persists, renew nozzle.</p>		
<p>Heavy centre pattern</p> 	<p>Spreader adjustment valve set too low.</p> <p>Atomising pressure too low.</p> <p>Material too thick.</p>	<p>Turn out counter clockwise to achieve correct pattern.</p> <p>Increase pressure.</p> <p>Thin to correct consistency.</p>
<p>Split spray pattern</p> 	<p>Air pressure too high.</p> <p>Fluid adjusting knob turned in too far.</p> <p>Spreader adjusting valve set too high.</p>	<p>Reduce at regulator or gun handle.</p> <p>Turn out counter clockwise to achieve correct pattern.</p> <p>Turn in clockwise to achieve correct pattern.</p>
<p>Jerky or fluttering spray</p> 	<p>Loose or damaged fluid nozzle/seat</p> <p>Loose or broken cup fluid nipple</p> <p>Material level too low</p> <p>Container tipped too far</p> <p>Obstruction in fluid passage</p> <p>Loose fluid needle packing nut</p> <p>Damaged fluid needle packing</p>	<p>Tighten or replace</p> <p>Tighten or replace cup</p> <p>Refill</p> <p>Hold more upright</p> <p>Back flush with solvent</p> <p>Tighten</p> <p>Replace</p>
<p>Paint bubbles in cup</p>	<p>Fluid nozzle not tight.</p>	<p>Tighten to 18–20 Nm (160–180 lbs.in).</p>
<p>Fluid leaking or dripping from cup lid</p>	<p>Cup lid loose.</p> <p>Dirty cup or lid.</p> <p>Cracked cup or lid.</p>	<p>Push in or replace.</p> <p>Clean.</p> <p>Replace cup and lid.</p>

Troubleshooting Possible Problems in Operation (cont)

Starved spray pattern	Inadequate material flow Blocked vent in Cup lid Low atomisation air pressure	Wind fluid adjusting knob out or change to larger fluid nozzle size Clean lid and unblock vent Increase air pressure and rebalance gun.
Excessive overspray	Air pressure too high. Gun too far from work surface.	Reduce air pressure. Adjust to correct distance.
Dry spray	Air pressure too high. Gun too far from work surface. Gun motion too fast. Fluid flow too low.	Reduce air pressure. Adjust to correct distance. Slow down. Wind out needle adjusting screw or use larger nozzle size.
Fluid leaking from packing nut	Packing worn.	Replace.
Fluid leaking or dripping from front of gun	Fluid nozzle or fluid needle worn or damaged. Foreign matter in fluid nozzle. Fluid needle dirty or stuck in needle packing Wrong size fluid needle or fluid nozzle.	Replace fluid nozzle and fluid needle. Clean. Clean Replace fluid nozzle and fluid needle.
Fluid dripping or leaking from bottom of cup	Cup loose on gun. Cup fluid inlet seat dirty.	Tighten Clean.
Runs and sags	Too much material flow. Material too thin. Gun tilted on an angle, or gun motion too slow.	Turn fluid adjusting knob clockwise or switch to smaller fluid nozzle and fluid needle size. Mix correctly or apply light coats. Hold gun at right angle to work and adapt to correct gun technique.

ACCESSORIES

DGi PRO Digital Pressure Gauge	DGIPRO-502-BAR		Gun Stand	GFV-50-F	
Spanner	SN-406		600 cc Mixing Cups pack of 50	MC-1-K50	
Torx driver			10m x 8mm bore rubber air hose with 1/4 fittings	H-6065-B (BSP) H-6065-N (NPS)	
Cleaning Brush			Pack of four QD fittings	MPV-463	
Cleaning Brush	4900-5-1-K3		MPV Swivel	MPV-60-K3	
Torx driver	SPN-8-K2				

WARRANTY

This product is covered by Finishing Brands UK Limited one year warranty.

Carlisle Fluid Technologies,
 Dba, Finishing Brands UK Limited,
 Ringwood Road,
 Bournemouth,
 BH11 9LH,
 UK.

Tel.No: 01202 571111

Fax No: 01202 581940

Website address [http:// www.finishingbrands.eu](http://www.finishingbrands.eu)

Registered office:
 Finishing Brands UK Limited,
 400, Capability Green,
 Luton,
 Bedfordshire,
 LU1 3AE,
 UK.

Registered in England: No. 07656273

Vat No: GB 113 5531 50