

FAST MOVER

Automotive Refinishing

FMT224S

Double Bumper Rack on Wheels

Product Instruction Manual



Image for illustrative purposes only



PLEASE KEEP THIS MANUAL SAFE FOR FUTURE REFERENCE

T: +44 (0)1582 661993 **F:** +44 (0)1582 667100 **E:** sales@fastmovertoolsuk.com

FMT224

Instruction Manual

Introduction

This Mobile Double Bumper Rack is designed to securely hold eight bumpers in a safe manor. It has casters for easy relocation.

General Safety Information

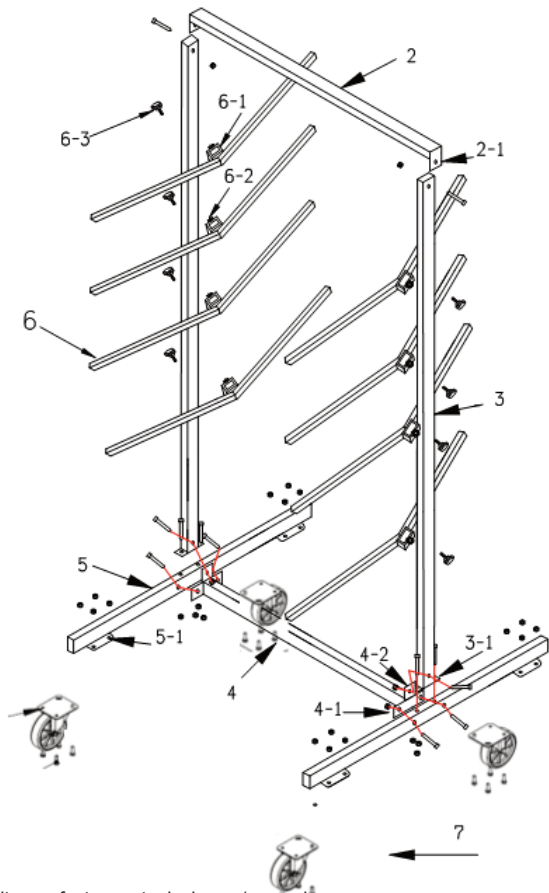
- 1 This rack must be used on a firm level surface which is free from clutter.
- 2 Do not use this tool whilst under the influence of drugs, alcohol and intoxicating medication.
- 3 Do not use this tool for any other purpose other than that for which it is intended. This tool is not intended as a climbing frame or tethering point.
- 4 Do not allow children and other unauthorised persons to use this equipment.
- 5 Due to the nature of the manufacturing process, there may be some sharp edges on some components of this equipment. It is strongly recommended that hand protection is worn when using this tool.
- 6 Do not use this rack to hold any more than 8 bumpers, over loading this rack will reduce the stability of the load.
- 7 Always be aware of those around you and keep in mind that your actions have a direct effect on your colleagues and visitors.

Environmental

- 1 Ensure that all packaging is disposed of in a responsible manor.
- 2 At the end of its life, this tool can be disposed of along with your normal waste, always consult local authority guidelines first.

Parts List

No.	Qty
2	1
3	2
4	1
5	2
6	8
7	4



This manual can be downloaded from the web, visit www.fastmovertoolsuk.com/manuals.

Fast Mover Tools

T: 01582 661993 F: 01582 667100 E: sales@fastmovertoolsuk.com

W: www.fastmovertoolsuk.com