



2022

Innovation Applied








<b>Main product index</b>	<b>3 - 4</b>
<b>Service and maintenance kits</b>	<b>5 - 8</b>
<b>Equipment hook ups</b>	<b>9</b>





<b>Product, spare parts and accessories</b>	<b>10 - 128</b>
---	-----------------


### Manual Spray Guns DeVilbiss/Binks/ECCO

	Advance HD Pressure Spray Gun	10
	Advance HD Gravity Cup Gun	10
	Advance HD Gravity Gun With Pressure Cup	10
	Advance HD Suction Spray Gun	10
	GTi Pro Lite Pressure Spray Gun	15
	GTi Pro Lite Gravity Cup Gun	15
	GTi Pro Lite Suction Spray Gun	15
	Pro Lite E Ceramic Pressure Spray Gun	16
	GFG Pro Gravity Cup Gun	17
	JGA Pro Pressure Spray Gun	17
	JGA Pro Suction Spray Gun	17
	JGA Ceramic Pressure Spray Gun	18
	Ecco 40S Pressure Spray Gun	19
	Ecco 65S Pressure Spray Gun	19
	Pri Pro Lite Gravity Cup Gun	20
	SRI Pro Lite Gravity Cup Gun	21
	FLG5 Pressure Spray Gun	22
	FLG5 Gravity Cup Gun	22
	FLG5 Suction Spray Gun	23
	CSpray Pressure Spray Gun	23
	CSpray Gravity Spray Gun	22
	2100 VT	22
	MACH1 PCX	22
	JJ Spray Gun	22
	DAGR Airbrush	23
	SLG-650 Compliant/HVLP Spray Gun Kit	23



### Automatic Spray Guns DeVilbiss

	AG-361	24
	AG-361 E	26
	AG-362	27
	AG-362-P	29
	COBRA 3C	29
	AGMD Pro	30
	460	35

### Automatic Spray guns ECCO

	Ecco 60AS	34
	Ecco 65AS	34
	Ecco 75AP	34
	Ecco 40DA	35
	Ecco 41FA	35


### Airless and AAA Guns Binks

	550	36
	Trophy AAA	37
	AA4400M	38
	AG-363	39
	AG-364	39
	A75	41
		44

### Extrusion Guns Binks

	F200/F400 Flow Gun	45
--	--------------------	----

### Electrostatic Equipment Ransburg

	RansFlex RX 45kV	46
	RansFlex RFX 65kV	46
	RansFlex RFXi 65kV	49
	RansFlex RFQ 45kV Quick Fan Adjust	52
	RansFlex RFXQ 65kV Quick Fan Adjust	52
	RansFlex RFXW 65kV Water Based Direct Charge	55
	RansFlex RFXA 65kV Automatic Spray Gun	58
	RansFlex RFXAW 65kV Water Based Automatic spray gun	62
	VECTOR LP Cascade	66
	VECTOR LP Classic	66
	VECTOR HP AA90 Cascade	69
	VECTOR HP AA90 Classic	69
	No. 2 gun	72

	Estaquick	72
	Evolver 560	72
	Aerobell 168	73
	Aerobell 268	73
	RMA 560	73
	RMA 570	73
	Accessories	74


### Cap and Bell Cleaners

	Cap Cleaner	75
	Bell Cleaner	75


### Pressure Tanks & Cups Binks

	Pressure Tanks & Cups	76
--	-----------------------	----


### Agitators and Quick Mixers Binks

	Binks Pneumatic Agitators	79
	Binks Electric Agitators	79
	Binks Quick Mixers	79
	Binks Premium Elevator Systems	80


### Diaphragm Pumps Binks

	DX70 1:1 Diaphragm Pumps	82
	DX200 1:1 Diaphragm Pumps	84
	DX200 3:1 Diaphragm Pumps	87


### Low Pressure Pumps Binks

	Transfer Pumps	88
	Maple 15/3 Pump	88
	Maple 15/3 AFP Pump	88
	Maple 15/6 Pump	89
	Maple 30/3 Pump	89
	Maple 60/3 Pump	89
	Maple 7/7 Pump	89
	Maple 7/15 Pump	89
	Maple 7/15 Paint Stripper Pump	89
	Maple 8/25 Pump	90
	Maple 15/3 Packages	90
	MXL12/05	93

### Airless and AAA Pumps/Outfits Binks

	MXL4/12	94
	MXL12/12	95
	MXL4/32	96
	MXL12/31	97
	MX35/36	98
	MX30/42	99
	MX35/60	100
	MX30/70	101
	Air Motor Spare Parts Kits	102
	Fluid Pump Spare Parts Kits	104
	Pump Accessories	105
	Pressure Relief Valves	106
	Pump Filters	106
	Bare Pumps	112

### Electric Paint Circulating Binks

	Smart Pump E2-7	91
	Smart Pump E2-15	91
	Smart Pump E2-15 AFP	91
	Smart Pump E2-30	91
	Smart Pump E2-40	91
	Smart Pump E2-60	92
	Smart Pump E4-60	92
	Smart Pump E4-100	92
	Smart Pump Vertical EV2-30	92



**2K Material Supply**

IntelliFlow RM2	110
IntelliFlow RF2	110
Magic-Flow 2	111



**Fluid Pressure Regulators Binks**

In-line Regulator	118
Gun-mounted Regulator	118
DR-1 Fluid regulator	118
High-pressure In-line Regulator	118
Back Pressure Valves	119
Pilot Controlled Back Pressure Regulators	119
Surge Eliminators	120



**Air and Fluid Hoses**

Air Hoses, Low Pressure	114
Fluid Hoses, Low Pressure	114
Quick Coupling Connections	114
Air and Fluid Hoses, High Pressure	115
Heated Hoses	115



**Air Fed Respirator DeVilbiss**

Respirator Systems	119
--------------------	-----



**Air Filter/Regulators DeVilbiss**

Pro Air Regulators and Coalescers	120
FLFR Finishline Regulators and Coalescers	120



**Spray Booth Filter Paper Binks**

Eco Spray Booth Filter Paper	126
Spray Booth Filter Paper	126
Super Efficiency Spray Booth Filter Paper	126



**Accessories**

Service & Maintenance Kits	5
Binks Pump Accessories	127-128
DeVilbiss Extensions	121-125
Manual Gun Accessories	128

Office opening times:-

Monday to Thursday 8:30am to 1:00pm  
 1:30pm to 5:15pm  
 Friday 8:30am to 12:45pm  
 1:15pm to 4:00pm



## Manual Spray Guns DeVilbiss

Gun Type	Kit Part Number	Description
<b>Advance HD Suction/Gravity/Pressure</b>	GTI-428-K5	Seal and Pin Kit
	PRO-415-1	Spray Gun Service Kit
<b>AGP/AGPV/AGT</b>	AGX-7-K2	Packing Spring Set
	KK-4690	Piston Repair Kit
	GTI-425-K	Needle Baffle
<b>Compact Suction/Gravity/Pressure/V</b>	SPK-101-K	Air Valve Service Kit
	SPK-102-K	Retaining Ring Assembly
	SPK-401-XX	General Service Kit incl. Tip and Needle
	SPK-402-K	Service Kit With Seals and Springs
<b>EGA/EGHV</b>	KK-5044	Gasket & Seal Kit
<b>FLG-3 Gravity</b>	FLG-488	Gasket & Seal Kit
<b>FLG-5 Gravity / Suction</b>	K-5030	Baffle Replacement Kit
	K-5040	Repair kit - seals and springs inc. tool
<b>FLG-5 Pressure</b>	K-5032	Baffle Replacement Kit
	K-5044	Repair kit - seals and springs inc. tool
<b>GTI Gravity/ Suction</b>	GTI-414-K	Needle Adjusting Screw
	GTI-416-XX	General Service Kit incl. Tip and Needle
	GTI-425-K	Baffle & Seal Assembly
	GTI-445-K2	Needle Packing
	JGK-449-K	Air Valve Kit
<b>GTi Pressure</b>	KK-4585	Gun Maintenance Kit
	GTI-414-K	Needle Adjusting Screw
	GTI-425-K	Baffle & Seal Assembly
	GTI-426-XX	General Service Kit incl. Tip and Needle
	GTI-445-K2	Needle Packing
	JGK-449-K	Air Valve Kit
<b>GTi Pro Lite/Pro Lite E/PRI Pro Lite</b>	KK-4585	Gun Maintenance Kit
	PRO-470	Spray Gun Repair Kit
<b>GFG HD/GTi HD/ JGA HD/SRI HD/ PRI HD/ GFG Pro/ JGA Pro</b>	PRO-470	Spray Gun Repair Kit
	GTI-428-K5	Seal and Pin Kit
<b>JGA/JGV/GFG</b>	GTI-428-K5	Seal and Pin Kit
	PRO-415-1	Spray Gun Repair Kit
	GTI-414-K	Needle Adjusting Screw
	GTI-445-K2	Needle Packing
	JGK-449-K	Air Valve Kit
	KK-4502-XX-H	General Service Kit incl. Tip and Needle
	KK-4558	Gasket & Seal Kit
	KK-4585	Gun Maintenance Kit
<b>MSAT</b>	GTI-414-K	Needle Adjusting Screw
	GTI-425-K	Baffle & Seal Assembly
<b>PRI Gravity</b>	GTI-414-K	Needle Adjusting Screw
	GTI-425-K	Baffle & Seal Assembly
	GTI-445-K2	Needle Packing
	JGK-449-K	Air Valve Kit
<b>SRI Gravity</b>	SRI-416	Gasket & Seal Kit
<b>SRI Pro Lite</b>	PRO-415-1	Spray Gun Repair Kit



## Automatic spray guns Binks/DeVilbiss

Gun Type	Kit Part Number	Description
<b>95A</b>	54-3579	Repair Kit
<b>460</b>	250035	Repair Kit
<b>550</b>	54-3121	Repair Kit
	SPK-119	Dynamic Seal Kit
	SPK-120	Needle Seal Kit
<b>AA4400A</b>	SPK-121	Manifold Seal Kit
	KK-4501-XX-X	General Service Kit incl. Tip and Needle
<b>AGG</b>	KK-4566-XXX	General Service Kit incl. Tip and Needle
<b>AGGS</b>	AGMDPRO-406-K	Cam Kit
<b>AGMD Pro</b>	KK-4998	Repair Kit
<b>AGN</b>	SPK-117	Seals
<b>COBRA 1</b>	SPK-109	Manifold Seals - Viton Extreme
	SPK-118	Dynamic Seals - Viton Extreme
<b>COBRA 2</b>	SPA-408-K	Needle Packing Kit
	SPA-410-K	Manifold Assembly
<b>COBRA 3C</b>	GTIA-406-XXX	General Service Kit incl. Tip and Needle
<b>GTI-A</b>	54-5307	Seal Kit
<b>MAG AA</b>		



## Airless and AAA guns Binks

Gun Type	Kit Part Number	Description
<b>A3500/A7500</b>	54-5760	Airless Gun Repair Kit
<b>AA1500</b>	54-4970	Repair Kit
	54-4993	Repair Kit
<b>AA4000</b>	54-5447	Cartridge Assembly
	6-236	Service Kit
<b>Airless 1</b>	54-5826	Fluid Needle Kit
	54-5827	Filter Bracket Kit
	54-5829	Body Bushing Kit
	54-5835	Trigger Spares Kit
<b>AA4400M</b>	54-5838	Fluid Inlet Kit
	0114-013559	Seal Kit
	0114-013560	Repair Kit
<b>HAP-50D</b>	0114-013560	Repair Kit
<b>HAP50F</b>	0114-013560	Repair Kit



## Pressure Cups & Tanks Binks

Tank/Cup	Description	Kit Part Number	Description
<b>KB-522-B</b>	Remote Cup	KB-428-1	Repair Kit
<b>80-600-CE</b>	Steady-Grip Pressure Cup	80-617	Repair Kit
<b>83C-210-CE</b>	10L Zinc Plated Pressure Tank	KK-4977*	Repair Kit
<b>83Z-211-CE</b>	10L ST ST Pressure Tank	KK-4977*	Repair Kit
<b>183G-1013-CE</b>	40L Galvanised Pressure Tank	KK-4977*	Repair Kit

\* Regulator repair kit



## DX70 1:1 Diaphragm Pump Binks

Kit Part Number	Description
<b>DXK-1</b>	Check valve seal kit x 4
<b>DXK-2</b>	Check valve kit x 4
<b>DXK-3</b>	Diaphragm kit x 2
<b>DXK-4</b>	Shaft & seal kit
<b>DXK-14</b>	Air valve kit
<b>DXK-15</b>	Fluid regulator kit



## DX200 1:1 Diaphragm Pump Binks

Kit Part Number	Description	Material
<b>DXK-201</b>	Check valve seal kit x 4	Aluminium
<b>DXK-202</b>	Check valve kit x 4	Aluminium
<b>DXK-203</b>	Diaphragm kit x 2	Aluminium
<b>DXK-276</b>	Enamel Check Valve Kit x 4	Aluminium
<b>DXK-204</b>	Shaft & seal kit	Aluminium
<b>DXK-213</b>	Fluid regulator diaphragm assembly	Universal
<b>DXK-214</b>	Fluid regulator insert kit	Universal
<b>DXK-216</b>	Air valve kit	Universal
<b>DXK-222</b>	Check valve seal kit x 4	ST ST
<b>DXK-223</b>	Check valve kit x 4	ST ST
<b>DXK-262</b>	Enamel Check Valve Kit x 4	ST ST
<b>DXK-224</b>	Diaphragm kit x 2	ST ST
<b>DXK-225</b>	Shaft & seal kit	ST ST



## DX200 3:1 Diaphragm Pump Binks

Kit Part Number	Description	Material
<b>DXK-216</b>	Air valve kit (Front)	Universal
<b>DXK-287</b>	Check valve seal kit x 4	ST ST
<b>DXK-288</b>	Check valve kit x 4	ST ST
<b>DXK-289</b>	Diaphragm kit x 2	ST ST
<b>DXK-266</b>	Shaft & seal kit	ST ST
<b>DXK-244</b>	Air valve rebuild kit (Rear)	ST ST
<b>DXK-241</b>	Rear air valve gasket	ST ST
<b>DXK-237</b>	Piston retaining seals	ST ST
<b>DXK-265</b>	Piston seal	ST ST
<b>DXK-229</b>	Inlet/Outlet seals	ST ST



## Maple Pneumatic Pumps Binks

Pump Type	Kit Part No.	Description
<b>Maple 15/3</b>	250625	Fluid Piston Seal Kit
	250626	Fluid Section Overhaul Kit
	250627	Air Motor Seal Kit
	250628	Control Valve Kit
<b>Maple 15/3 AFP</b>	250714	Fluid Piston Seal Kit
	250715	Fluid Section Overhaul Kit
	250627	Air Motor Seal Kit
	250628	Control Valve Kit
<b>Maple 15/6</b>	250771	Fluid Section Seal Kit
	250772	Fluid Overhaul Kit
	250618	Air Motor Seal Kit
	250628	Control Valve Kit
<b>Maple 7/7</b>	250653	Fluid Section Seal Kit
	250655	Fluid Overhaul Kit
	250695	Air Motor Seal Kit
	250628	Control Valve Kit
<b>Maple 7/15</b>	250653	Fluid section seal & O-ring Kit
	250655	Fluid section overhaul kit
	250657	Air motor seal kit
<b>Maple 8/25</b>	250653	Fluid section seal & O-ring Kit
	250654	Fluid section overhaul kit
<b>Maple 30/3</b>	250608	Fluid Piston Seal Kit
	250619	Fluid Section Overhaul Kit
	250618	Air Motor Seal Kit
	250620	Control Valve Kit
<b>Maple 60/3</b>	250632	Fluid Section Service Kit
	250633	Fluid Section Overhaul Kit
	250656	Air Motor Seal Kit
<b>Maple 15/25</b>	250844	Fluid Section seal Kit
	250845	Fluid Overhaul Kit
	195769-K2	Bellows Kit
	250843	Air Motor Seal Kit
	250851	Air Motor Overhaul Kit
	250853	Air Motor Control Valve kit
	0115-010037-K2	Single Pump Poppet Kit
	250846	Fluid Section Seal Kit
	250847	Fluid Overhaul Kit
195769-K2	Bellows Kit	
<b>Maple 120/3</b>	250843	Air Motor Seal Kit
	250851	Air Motor Overhaul Kit
	250853	Air Motor Control Valve kit
	0115-010037-K2	Single Pump Poppet Kit

Please check the service bulletin for kit contents



## Smart Pump Binks

Pump Type	Kit Part No.	Description
<b>E2-7</b>	250773	Fluid Piston Seal Kit
	250774	Wet Section Overhaul Kit
	250642	Main Bearing Overhaul Kit
<b>E2-15</b>	250735	Fluid Piston Seal Kit
	250736	Fluid Section Overhaul Kit
	250642	Main Bearing Overhaul Kit
<b>E2-15 AFP</b>	250714	Fluid Section Seal Kit
	250716	Wet Section Overhaul Kit
	250642	Main Bearing Overhaul Kit
<b>E2-30</b>	250607	Fluid section O-ring Kit
	250608	Fluid Piston Seal Kit
	250609	Bellows Replacement Kit
	250611	Cam Follower Bearing Kit
	250612	Linear Guide and Rod Kit
	250599	Main Bearing Overhaul Kit
<b>E2-40</b>	250607	Fluid section O-ring Kit
	250608	Fluid Piston Seal Kit
	250609	Bellows Replacement Kit
	250611	Cam Follower Bearing Kit
	250612	Linear Guide and Rod Kit
	250599	Main Bearing Overhaul Kit
<b>E2-60</b>	250686	Fluid Section Service Kit
	250687	Fluid Section Overhaul Kit
	250683	Main Bearing Overhaul Kit
	250684	Linear Guide and Rod Kit
	250685	Cam Follower Bearing Kit
	250600	Fluid Section Overhaul Kits
	250601	Piston Seal/Ball Check Spring Kit
<b>E4-60</b>	250595	Bellows Replacement Kit
	250596	Fluid Section Overhaul Kit
	250597	Cam Follower Bearing Kit
	250598	Linear Guide and Rod Kit
	250599	Main Bearing Overhaul Kit
	<b>EV2-15</b>	250839
250840		Fluid Overhaul Kit
250842		Bellows Replacement Kit
250838		Cam Follower Bearing Kit
250837		Linear Bearing
250841		Main Bearing Overhaul Kit
<b>EV2-30</b>	250806	Fluid Section seal Kit
	250807	Fluid Overhaul Kit
	250609	Bellows Replacement Kit
	250597	Cam Follower Bearing Kit
	250598	Linear Bearing
	250599	Main Bearing Overhaul Kit
<b>E4-100</b>	250814	Fluid Section seal Kit
	250815	Fluid Overhaul Kit
	250816	Bellows Replacement Kit
	250817	Cam Follower Bearing Kit
	250818	Linear Bearing
	250819	Main Bearing Overhaul Kit

Please check the service bulletin for kit contents





High Pressure Fluid Pumps Binks

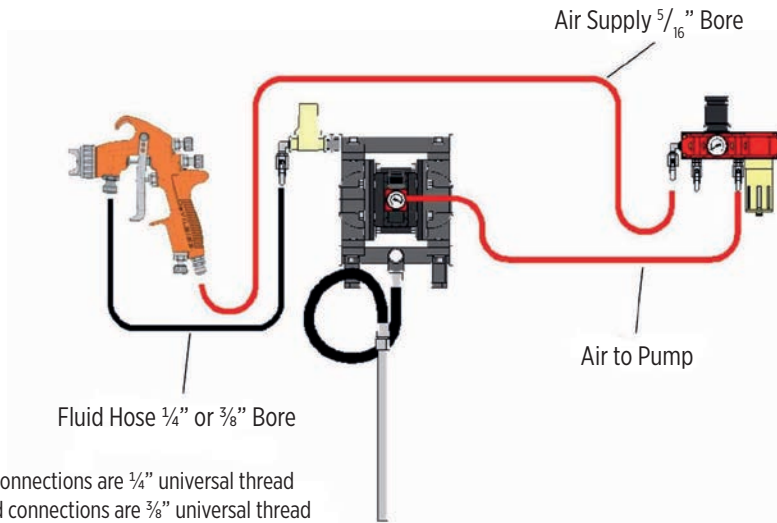


High Pressure Pump Air Motors Binks

Fluid Pump	Kit Part No	Description
FX4 FXL4	<b>MX4/12</b> <b>MX4/32</b> <b>MXL4/12</b> <b>MXL4/32</b>	0115-010221 Seal Kit (PTFE/Leather)
		0115-010223 Seal Kit (PTFE)
		0115-010225 Seal Kit (PTFE/UHMWPE)
		0115-010222 Repair Kit (PTFE/Leather)
		0115-010224 Repair Kit (PTFE)
FX12/ FXL12	<b>MX12/12</b> <b>MX12/31</b> <b>MXL12/05</b> <b>MXL12/12</b> <b>MXL12/32</b>	0115-010388 Repair Kit (PTFE/UHMWPE)
		0115-010307 Repair Kit (PTFE/Leather)
		0115-010309 Repair Kit (PTFE)
		0115-010387 Repair Kit (PTFE/UHMWPE)
		0115-010306 Seal Kit (PTFE/Leather)
		0115-010308 Seal Kit (PTFE)
		0115-010303 Seal Kit (PTFE/UHMWPE)
FX190	<b>MX30/70</b> <b>MX30/42</b>	250662 Seal Kit, PTFE/Leather
		250663 Seal Kit, PTFE/UHMWPE
		250670 Seal Kit, PTFE
		250671 Seal Kit, UHMWPE
		250690 Seal Kit, UHMWPE/Leather
		250664 Repair Kit, PTFE/Leather
		250665 Repair Kit, PTFE/UHMWPE
		250672 Repair Kit, PTFE
		250673 Repair Kit, UHMWPE
		250691 Repair Kit, UHMWPE/ Leather
FX220	<b>MX35/35</b> <b>MX35/36</b> <b>MX35/60</b>	250658 Seal Kit, PTFE/Leather
		250659 Seal Kit, PTFE/UHMWPE
		250666 Seal Kit, PTFE
		250667 Seal Kit, UHMWPE
		250688 Seal Kit, UHMWPE/Leather
		250660 Repair Kit, PTFE/Leather
		250661 Repair Kit, PTFE/UHMWPE
		250668 Repair Kit, PTFE
		250669 Repair Kit, UHMWPE
250689 Repair Kit, UHMWPE/ Leather		

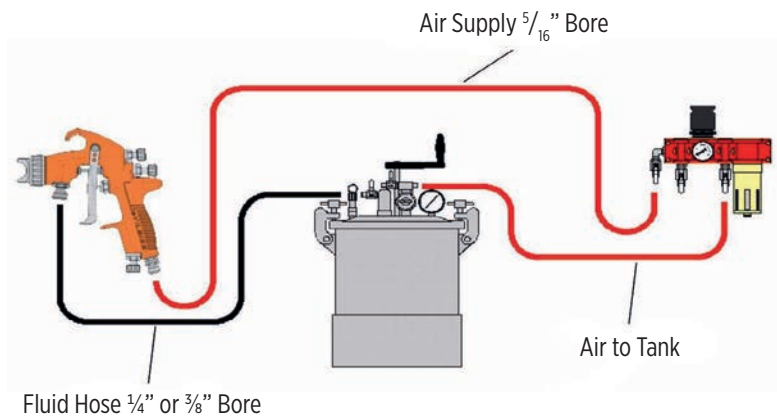
Air Motor	Use with Pump	Part No	Description
AX55S	<b>MX4/12/</b> <b>MXL12/05</b> <b>MXL4/12</b>	0115-010216 Seal Kit	
		0115-010214 Repair Kit	
		0115-010226 Air Motor Valve Repair Kit	
		0115-010213 Hardware Kit	
AX85S	<b>MX4/32</b> <b>MX12/12</b> <b>MXL4/32</b> <b>MXL12/12</b>	0115-010217 Seal Kit	
		0115-010215 Repair Kit	
		0115-010226 Air Motor Valve Repair Kit	
		0115-010213 Hardware Kit	
AX140S	<b>MX12/31</b> <b>MXL12/31</b>	0115-010301 Repair Kit	
		0115-010226 Air Motor Valve Repair Kit	
		0115-010302 Seal Kit	
		0115-010300 Hardware Kit	
AX200L	<b>MX35/36</b> <b>MX30/42</b>	250703 Seal Kit	
		250702 Cylinder seal kit	
		250649 Air Motor Valve Repair Kit	
		250701 Hardware Kit	
		250651 Exhaust Seal Kit	
AX260L	<b>MX35/35</b> <b>MX35/60</b> <b>MX30/70</b>	250645 Seal Kit	
		250648 Cylinder Seal Kit	
		250649 Air Motor Valve Repair Kit	
		250650 Hardware Kit	
		250651 Exhaust Seal Kit	
		194066 Motor Rod Kit	

### Typical Manual Spray Gun & Pump Hook Up



Air connections are 1/4" universal thread  
Fluid connections are 3/8" universal thread

### Typical Manual Spray Gun & Pressure Feed Tank Hook Up



Air connections are 1/4" universal thread  
Fluid connections are 3/8" universal thread

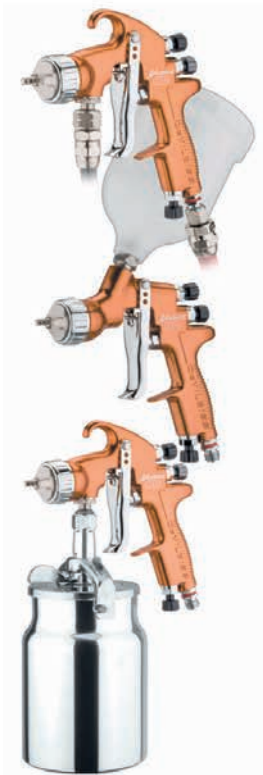
#### Air & Fluid Hose recommendations:-

If the fluid hose is **under** 7.5m (25ft) in length use 1/4" bore fluid hose.

If the fluid hose is **over** 7.5m (25ft) in length use 3/8" bore fluid hose.

We recommend 5/16" bore air hose at all times for gun supply.

For best spray gun performance only original air hose connectors should be used to minimise air pressure loss - very important for Trans-Tech and HVLP guns.



### Advance HD HVLP and Trans-Tech

Part no.	
ADV-PXXX-YY	Advance HD Pressure, Trans-Tech, with <b>ST ST tip/needle</b> & air cap
ADV-PXXX-YY	Advance HD Pressure, HVLP, with <b>ST ST tip/needle</b> & air cap
ADV-PXXX-YYN	Advance HD Pressure, Trans-Tech, with <b>Hardened tip/needle</b> & air cap
ADV-PXXX-YYC	Advance HD Pressure, Trans-Tech, with <b>Tungsten Carbide tip/needle</b> & air cap
ADV-GXXX-YY	Advance HD Gravity, Trans-Tech, with <b>ST ST tip/needle</b> & air cap
ADV-GXXX-YY	Advance HD Gravity, HVLP, with <b>ST ST tip/needle</b> & air cap
ADV-GXXX-YYN	Advance HD Gravity, Trans-Tech, with <b>Hardened tip/needle</b> & air cap
ADV-GPXXX-YY	Advance HD Gravity, Trans-Tech, with <b>Pressure assist gravity cup, ST ST tip/needle</b> & air cap
ADV-GPXXX-YY	Advance HD Gravity, HVLP, with <b>Pressure assist gravity cup, ST ST tip/needle</b> & air cap
ADV-SXXX-YY	Advance HD Suction, Trans-Tech, with <b>ST ST tip/needle</b> & air cap
ADV-SXXX-YY	Advance HD Suction, HVLP, with <b>ST ST tip/needle</b> & air cap

### Advance HD Conventional

Part no.	
ADV-PXXX-YY	Advance HD Pressure, Conventional with <b>ST ST tip/needle</b> & air cap
ADV-PXXX-YYN	Advance HD Pressure, Conventional, with <b>Hardened tip/needle</b> & air cap
ADV-PXXX-YYC	Advance HD Pressure, Conventional, with <b>Tungsten Carbide tip/needle</b> & air cap
ADV-GXXX-YY	Advance HD Gravity, Conventional, with <b>ST ST tip/needle</b> & air cap
ADV-GXXX-YYN	Advance HD Gravity, Conventional, with <b>Hardened tip/needle</b> & air cap
ADV-GPXXX-YY	Advance HD Gravity, Conventional, with <b>Pressure assist gravity cup, ST ST tip/needle</b> & air cap
ADV-SXXX-YY	Advance HD Suction, Conventional, with <b>ST ST tip/needle</b> & air cap



Atomisation Type = Conventional HVLP Trans-Tech

**Ordering Example:**

**ADV-GXXX-YY**

Gun:  
 ADV-G = Gravity  
 ADV-GP = Gravity Pressure  
 ADV-P = Pressure  
 ADV-S = Suction

SP-100-510-K Air cap      SP-200S-13-K Tip and needle



**GFC-501**  
Gravity cup kit for Advance HD Gravity



**GFC-512-K**  
Gravity Pressure Assist cup kit



**KR-566-1-B**  
Suction cup kit for Advance HD Suction



Extensions are available for Advanced HD Conventional Pressure. Please see Page 121 for details

**Air Cap Selection Table**

Part no. XXX	Tip Ø in mm											
	0.5	0.7	0.85	1.0	1.2	1.3	1.4	1.6	1.8	2.0	2.2	2.8
SP-100-430-K			P	P	P G	P G GP	P G GP S	P G GP S	P G GP S	P G GP S	P G GP S	
SP-100-443-K			P	P	P G	P G GP	P G P S	P G P S	P G P S	P G P S	P G P S	
SP-100-462-K											P	P
SP-100-470-K											P	P G
SP-100-477-K			P	P	P	P	P	P	P	P	P	
SP-100-497-K			P	P	P	P	P	P	P	P	P	
SP-100-500R-K			P	P	P	P G	P	P G S	P G S	P G S	P G S	
SP-100-505-K			P	P	P	P G GP	P G GP	P G GP S	P G GP S	P G GP S	P G GP S	
SP-100-590HV-K	P	P		P								
SP-100-510-K			P	P	P	P G GP	P G GP	P G GP S	P G GP S	P G GP S	P G GP S	
SP-100-513-K			P	P	P G	P G GP	P G GP	P G GP S	P G GP S	P G GP S	P G GP S	
SP-100-515-K			P	P	P	P	P	P	P	P	P	
SP-100-520-K			P	P	P G	P G GP	P G GP	P G GP S	P G GP S	P G GP S	P G GP S	
SP-100-522-K			P	P	P	P	P	P	P	P	P	
SP-100-523-K			P	P	P	P	P	P	P	P	P	
SP-100-590-K	P	P		P								
SP-100-591-K	P	P		P								

Atomisation Type =  Conventional  HVLP  Trans-Tech

Gun = P = Pressure G = Gravity GP = Gravity Pressure S = Suction

**Tip and Needle Selection Table**

Part no. YY	Order No - SP-....-K											
	0.5	0.7	0.85	1.0	1.2	1.3	1.4	1.6	1.8	2.0	2.2	2.8
Tip(SS)	259S-05 <sup>1</sup>	259S-07 <sup>1</sup>	200S-085	200S-10 259S-10 <sup>1</sup>	200S-12	200S-13	200S-14	200S-16	200S-18	200S-20	200S-22 247S-22 <sup>2</sup>	247S-28 <sup>2</sup>
Hardened Tip				200N-10	200N-12		200N-14	200N-16	200N-18	200N-20	200N-22 247N-22 <sup>2</sup>	247N-28 <sup>2</sup>
Carbide Tip											247C-22 <sup>2</sup>	247C-28 <sup>2</sup>

Part no. YY	Order No - ADV-....-K											
	0.5	0.7	0.85	1.0	1.2	1.3	1.4	1.6	1.8	2.0	2.2	2.8
Needle (SS)			310-085	310-10	310-12	310-13	310-14	310-16	310-18	310-20	310-22	310-28
	310-05 <sup>1</sup>	310-07 <sup>1</sup>										
Hardened Needle				310N-10	310N-12		310N-14	310N-16	310N-18	310N-20	310N-22	310N-28
Carbide Needle											310C-22	310C-28 <sup>2</sup>
Needle with nylon tip				310P-10	310P-12 <sup>3</sup>		310P-14					

<sup>1</sup>) only for air caps 590/591 <sup>2</sup>) only for air caps 462/470 <sup>3</sup>) ADV-310P-12-K

**Advance HD Recommended Spares & Accessories**



**SN-402-K**  
Air Valve Assembly  
for Advance HD P G S



**SN-404-K**  
Packing spring and nut kit  
for Advance HD G



**SN-405-K5**  
Stud & Screw Set for  
Advance HD P G S



**SP-626-K5**  
Separator for Advance HD G S



**ADV-401-K**  
Spreader valve assembly  
for Advance HD P G S



**KGP-5-K5**  
Filter (Pack of 5) for  
Advance HD G



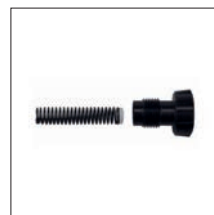
**KR-484-K10**  
Filter (Pack of 10) for  
Advance HD S



**KR-115-K5**  
Drip check diaphragm  
(Pack of 5) for Advance HD S

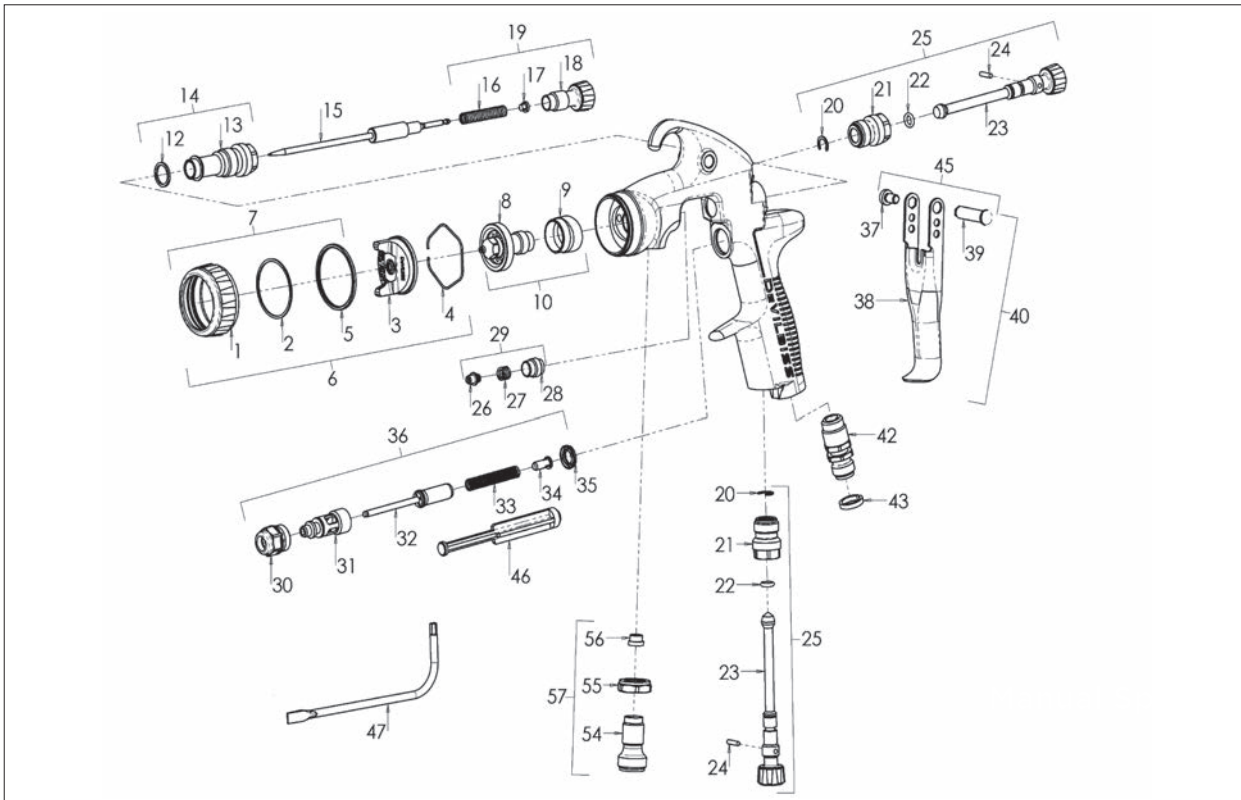


**SN-6-K**  
Body bushing and seal for  
Advance HD P G S



**ADV-6-K**  
Fluid adjusting knob, spring & pad  
kit for Advance HD P G S

## Advance HD Pressure



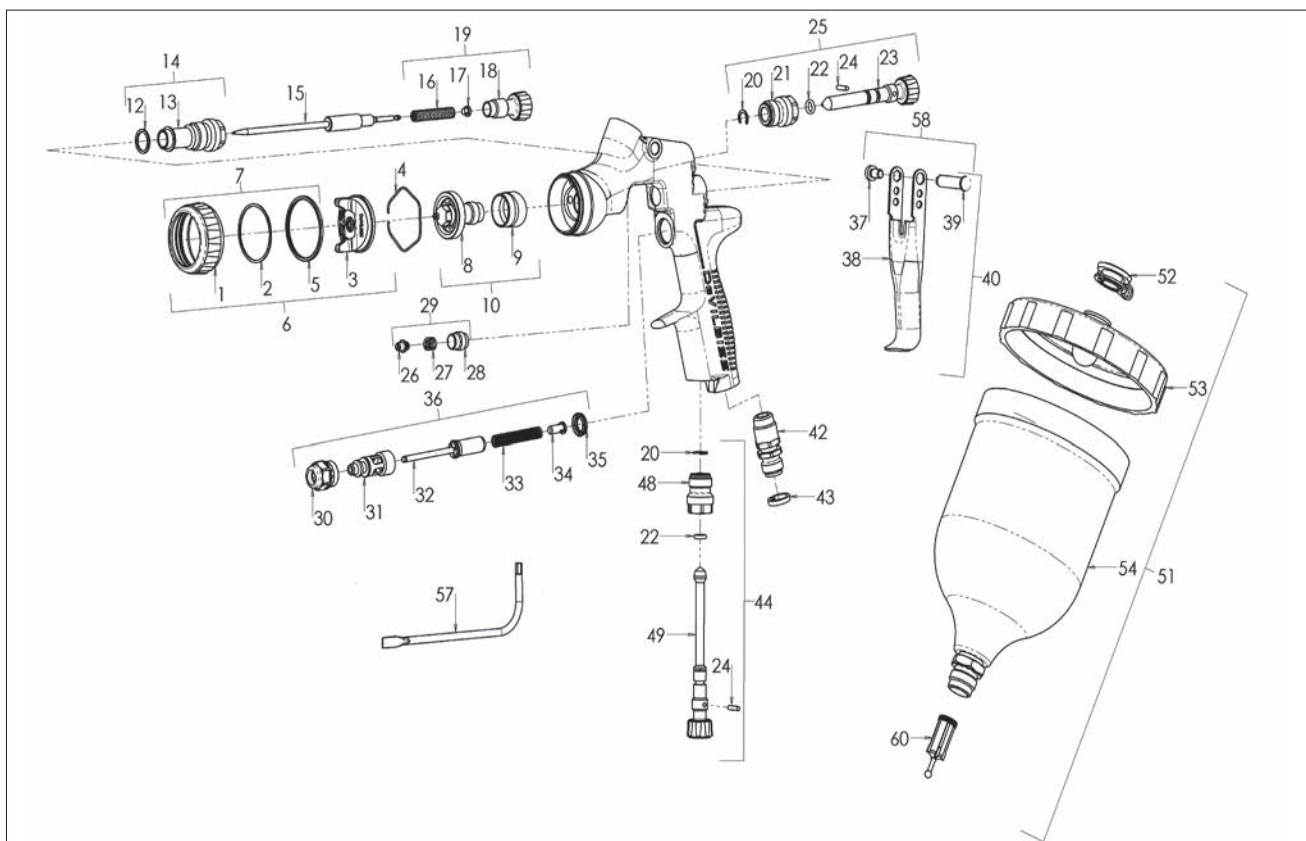
### Spare Parts

Ref.	Part no.	Description
1		Air cap retaining ring
2		Slip ring
3		Air cap
4	<b>JGA-156-K5</b>	Air cap retaining ring
5		Retaining ring seal
6		Air cap and ring (see table)
7	<b>ADV-403-K</b>	Air cap retaining ring & seals
8		Fluid nozzle (see table)
9	<b>SP-626-K5</b>	Separator
10		Fluid nozzle kit (see table)
12*		Body bushing seal
13		Body bushing
14	<b>SN-6-K</b>	Body bushing & seal
15		Fluid needle (see table)
16*		Needle spring
17*		Needle spring pad
18		Fluid adjusting knob
19	<b>ADV-6-K</b>	Fluid adjusting knob, spring & pad kit
20*		Retaining Clip
21*		Spreader valve body
22*		Spreader valve seal
23		Spreader valve adjusting knob
24*		Spreader valve pin
25	<b>ADV-401-K</b>	Spreader valve assembly
26*		Needle packing
27*		Packing spring
28*		Packing nut
29	<b>SN-404-K</b>	Packing spring & packing nut kit

Ref.	Part no.	Description
29a**	<b>ADV-406-K2</b>	Ceramic packing - kit of 2
30		Air valve body
31		Air valve cage
32		Air valve poppet
33		Air valve spring
34		Air valve spring pad
35	<b>SN-34-K5</b>	Air valve seal
36	<b>SN-402-K</b>	Air valve assembly
37*		Trigger stud screw (T20 Torx)
38		Trigger
39*		Trigger stud
40	<b>SN-63-K</b>	Trigger stud and screw set
42	<b>SN-9-K</b>	Air inlet
43	<b>SN-26-K4</b>	Colour ID ring kit (4 colours)
45	<b>SN-405-K5</b>	Stud and screw kit
46		Air valve service tool
47	<b>SPN-8-K2</b>	Torx key
54		Fluid inlet connector
55		Lock Nut
56		Seal
57	<b>ADV-7-K</b>	Fluid inlet connector kit
	<b>PRO-415-1</b>	Spray gun repair kit (items marked *)
	<b>GTI-428-K5</b>	Seal and Pin Kit (kit of 5) items 20,22 & 24
	<b>SN-406</b>	Tool kit - Spanner, Torx Driver and Cleaning Brush

\*\*Supplied as standard with guns ordered with SP-100-470-K air cap and Tungsten Carbide needle and tip.

Advance HD Gravity

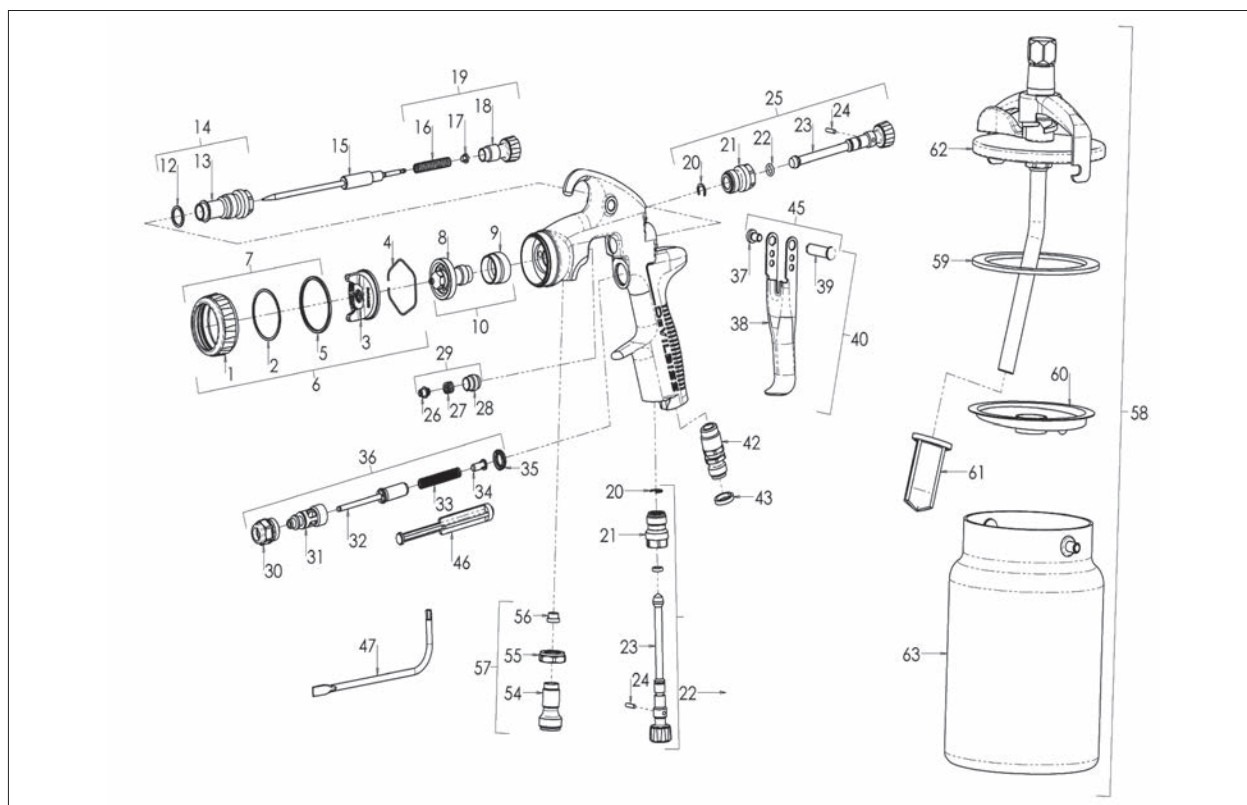


Spare Parts

Ref.	Part no.	Description
1		Air cap retaining ring
2		Slip ring
3		Air cap
4	<b>JGA-156-K5</b>	Air cap retaining ring
5		Retaining ring seal
6		Air cap and ring (see table)
7	<b>ADV-403-K</b>	Air cap retaining ring & seals
8		Fluid nozzle (see table)
9	<b>SP-626-K5</b>	Separator
10		Fluid nozzle kit (see table)
12*		Body bushing seal
13		Body bushing
14	<b>SN-6-K</b>	Body bushing & seal
15		Fluid needle (see table)
16*		Needle spring
17*		Needle spring pad
18		Fluid adjusting knob
19	<b>ADV-6-K</b>	Fluid adjusting knob, spring & pad kit
20*		Retaining Clip
21*		Spreader valve body
22*		Spreader valve seal
23		Spreader valve adjusting knob
24*		Spreader valve pin
25	<b>ADV-402-K</b>	Spreader valve assembly
26*		Needle packing
27*		Packing spring
28*		Packing nut
29	<b>SN-404-K</b>	Packing spring & packing nut kit
30		Air valve body

Ref.	Part no.	Description
31		Air valve cage
32		Air valve poppet
33		Air valve spring
34		Air valve spring pad
35	<b>SN-34-K5</b>	Air valve seal
36	<b>SN-402-K</b>	Air valve assembly
37*		Trigger stud screw (T20 torx)
38		Trigger
39*		Trigger stud
40	<b>SN-63-K</b>	Trigger stud and screw set
42	<b>SN-9-K</b>	Air inlet
43	<b>SN-26-K4</b>	Colour ID ring kit (4 colours)
44	<b>ADV-401-K</b>	Airflow valve
48		Valve body
49		Valve stem
51	<b>GFC-501</b>	Gravity cup kit
52	<b>GFC-2-K5</b>	Drip check lid (kit of 5)
53	<b>GFC-402</b>	Gravity cup lid
54		Gravity cup
56		Air valve service kit
57	<b>SPN-8-K2</b>	Torx key
58	<b>SN-405-K5</b>	Stud and screw kit
59		Spanner
60	<b>KGP-5-K5</b>	Filter (Pack of 5)
	<b>PRO-415-1</b>	Spray gun repair kit (items marked *)
	<b>GTI-428-K5</b>	Seal and Pin Kit (kit of 5) items 20,22 &24
	<b>SN-406</b>	Tool kit - Spanner, Torx Driver and Cleaning Brush

## Advance HD Suction



### Spare Parts

Ref.	Part no.	Description
1		Air cap retaining ring
2		Slip ring
3		Air cap
4	<b>JGA-156-K5</b>	Air cap retaining ring
5		Retaining ring seal
6		Air cap and ring (see table)
7	<b>ADV-403-K</b>	Air cap retaining ring & seals
8		Fluid nozzle (see table)
9	<b>SP-626-K5</b>	Separator
10		Fluid nozzle kit (see table)
12*		Body bushing seal
13		Body bushing
14	<b>SN-6-K</b>	Body bushing & seal
15		Fluid needle (see table)
16*		Needle spring
17*		Needle spring pad
18		Fluid adjusting knob
19	<b>ADV-6-K</b>	Fluid adjusting knob, spring & pad kit
20*		Retaining Clip
21*		Spreader valve body
22*		Spreader valve seal
23		Spreader valve adjusting knob
24*		Spreader valve pin
25	<b>ADV-401-K</b>	Spreader valve assembly
26*		Needle packing
27*		Packing spring
28*		Packing nut
29	<b>SN-404-K</b>	Packing spring & packing nut kit
30		Air valve body

Ref.	Part no.	Description
31		Air valve cage
32		Air valve poppet
33		Air valve spring
34		Air valve spring pad
35	<b>SN-34-K5</b>	Air valve seal
36	<b>SN-402-K</b>	Air valve assembly
37*		Trigger stud screw (T20 torx)
38		Trigger
39*		Trigger stud
40	<b>SN-63-K</b>	Trigger stud and screw set
42	<b>SN-9-K</b>	Air inlet
43	<b>SN-26-K4</b>	Colour ID ring kit (4 colours)
45	<b>SN-405-K5</b>	Stud and screw kit
46		Air valve service tool
47	<b>SPN-8-K2</b>	Torx key
54		Fluid inlet connector
55		Lock Nut
56		Seal
57	<b>ADV-7-K</b>	Fluid inlet connector kit
58	<b>KR-566-1-B</b>	Suction cup complete with lid
59	<b>KR-11-K3</b>	Cup lid gasket - kit of 3
60	<b>KR-115-K5</b>	Drip check diaphragm - kit of 5
61	<b>KR-484-K10</b>	Filter - Kit of 10
62	<b>KR-4001-B</b>	Lid assembly
63	<b>KR-466-K</b>	Cup
	<b>PRO-415-1</b>	Spray gun repair kit (items marked *)
	<b>GTI-428-K5</b>	Seal and Pin Kit (kit of 5) items 20,22 &24
	<b>SN-406</b>	Tool kit - Spanner, Torx Driver and Cleaning Brush

## GTi Pro Lite



### Part no.

<b>PROLT-PTEXX-YY</b>	GTi Pro Lite Pressure, Trans-Tech* with tip/needle & air cap
<b>PROLT-GTEXX-YY</b>	GTi Pro Lite Gravity, Trans-Tech* with tip/needle & air cap
<b>PROLT-GHVXX-YY</b>	GTi Pro Lite Gravity, HVLP, with tip/needle & air cap
<b>PROLT-STEXX-YY</b>	GTi Pro Lite Suction, Trans-Tech* with tip/needle & air cap
<b>PROLT-SHVXX-YY</b>	GTi Pro Lite Suction, HVLP, with tip/needle & air cap

### GTi Pro Lite Air Cap Selection Table

Part no. XXXX	Tip Ø in mm							
	0.85	1.0	1.2	1.3	1.4	1.6	1.8	2.0
<b>PRO-100-HV30-K</b>			G	G	PG	PGS	PGS	GS
<b>PRO-100-TE10-K</b>	P	P	PG	G	PG	PGS	PGS	GS
<b>PRO-100-TE20-K</b>	P	P	PG	G	PG	PGS	PGS	GS
<b>PRO-100-TE30-K</b>	P	P	P		P	P	P	
<b>PRO-100-TE40-K</b>	P	P	P		P	P	P	

### GTi Pro Lite Tip and Needle Selection Table

Part no. YY	Order No - PRO-...-...-K							
	0.85	1.0	1.2	1.3	1.4	1.6	1.8	2.0
<b>Tip - Pressure</b>	205-085	205-10	205-12		205-14	205-16	205-18	
<b>Tip - Gravity</b>			200-12	200-13	200-14	200-16	200-18	200-20
<b>Tip - Suction</b>						200-16	200-18	200-20
<b>Needle - Pressure</b>	320-085-10			320-12-14		320-16-18		
<b>Needle - Gravity</b>				PRO-301-K			PRO-303-K	
<b>Needle - Suction</b>						PRO-325-K		

Atomisation Type =  Conventional  HVLP  Trans-Tech

### GTi Pro Lite Recommended Spares & Accessories



**PRO-470**  
Spray Gun Repair Kit for GTi Pro Lite



**GTI-428-K5**  
Seal & Pin Kit (Set of 5) for GTi Pro Lite



**PRO-471**  
Air Valve Kit for GTi Pro Lite



**SN-404-K**  
Packing spring and packing nut for GTi Pro Lite



**SN-69-K**  
Spray Head and Seal Kit for GTi Pro Lite



**KGP-5-K5**  
Filter (Pack of 5) for GTi Pro Lite G



**KR-484-K10**  
Filter (Pack of 10) for GTi Pro Lite S



**KR-115-K5**  
Drip check diaphragm (Pack of 5) for GTi Pro Lite S



**GFC-501**  
Gravity Cup Kit for GTi Pro Lite G



**KR-566-1-B**  
Suction Cup Kit for GTi Pro Lite S

### Ordering Example:

**PROLT-XXXX-YY**

P = Pressure  
G = Gravity  
S = Suction

PRO-100-TE10-K  
Air cap

RRO-205-10-K = Tip





### PRO Lite E - Conventional

Part no.	
<b>PROLT-ECXX-YY</b>	PRO Lite Pressure E, Conventional with <b>ST/ST tip/needle</b> & air cap
<b>PROLT-ECXX-YYN</b>	PRO Lite Pressure E, Conventional with <b>Hardened tip/needle</b> & air cap
<b>PROLT-ECXX-YYC</b>	PRO Lite Pressure E, Conventional, with <b>Tungsten Carbide tip/needle</b> & air cap

Atomisation Type = Conventional HVLV Trans-Tech \*High Efficiency

#### Pro Lite E Air Cap Selection Table

Part no. XX	1.4	1.8	2.2	2.8
<b>PROC-120-C62-K</b>				●
<b>PROC-120-C64-K</b>			●	
<b>PROC-120-C67-K</b>	●	●		

#### Pro Lite E Tip And Needle Selection Table

Part no. YY	Order No			
	1.4	1.8	2.2	2.8
<b>Tip(SS)</b>	PRO-250-14-K	PRO-250-18-K	PRO-250-22-K	PRO-250-28-K
<b>Hardened Tip</b>	PRO-250N-14-K	PRO-250N-18-K	PRO-250N-22-K	PRO-250N-28-K
<b>Tungsten Tip</b>		PRO-250C-18	PRO-250C-22	PRO-250C-28

Part no. YY	Order No			
	1.4	1.8	2.2	2.8
<b>Needle (SS)</b>	PRO-350-18-22-K	PRO-350-18-22-K	PRO-350-18-22-K	PRO-350-28-K
<b>Hardened Needle</b>	PRO-350N-18-22-K	PRO-350N-18-22-K	PRO-350N-18-22-K	PRO-350N-28-K
<b>Tungsten Needle</b>		PRO-350C-18-22	PRO-350C-18-22	PRO-350C-28

Note - Pro Lite E spray guns are only for use on ceramic/enamel water based materials only

#### Pro Lite E Recommended Spares & Accessories



**PRO-470**  
Spray Gun Repair Kit for GTI Pro Lite E



**GTI-428-K5**  
Seal & Pin Kit (Set of 5) for GTI Pro Lite E



**PRO-471**  
Air Valve Kit for GTI Pro Lite E



**SP-617-CR-K**  
Trigger Stud & Screw Set for GTI Pro Lite E



**PRO-408-BL-K**  
Spreader Valve Assembly for GTI Pro Lite E



**PRO-407-BL-K - p.o.a**  
Cheater Valve Assembly for GTI Pro Lite E



For spray gun air & fluid hoses see Page 114



For universal gun cleaning kits see accessories on Page 127

#### Ordering Example:

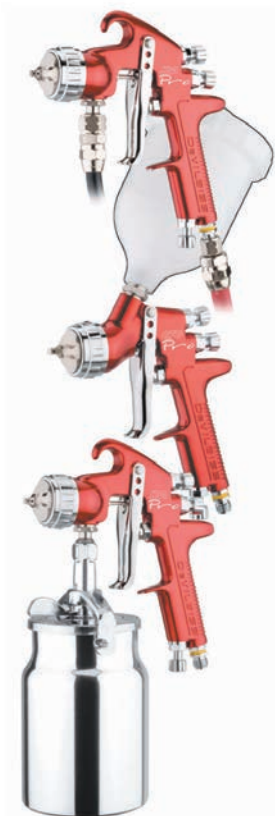
**PROLT-ECXX-YYC**

PROC-120-C62-K  
Air cap

PRO-250-14-K = Tip

N = Hardened  
C = Tungsten Construction

## JGA & GFG Pro Conventional



### Part no.

<b>JGAPPRO-XX-YY JGA</b>	Pro Pressure, Conventional, with tip/needle & air cap
<b>GFGPRO-XX-YY GFG</b>	Pro Gravity, Conventional, with tip/needle & air cap
<b>JGASPRO-XX-YY JGA</b>	Pro Suction, Conventional, with tip/needle & air cap

### JGA Pro Air Cap Selection Table

Part no. XX	Tip Ø in mm					
	0.85	1.0	1.2	1.4	1.6	1.8
PROC-120-C1-K	P	P	P	P S	P S	P S
PROC-120-C2-K	P	P	P	P S	P S	P S
PROC-120-C3-K	P	P	P	P	P	P

### JGA Pro Tip And Needle Selection Table

Part no. YY	Order No.					
	0.85	1.0	1.2	1.4	1.6	1.8
<b>Tip (P)</b>	PROC-230-085-K	PROC-230-10-K	PROC-230-12-K	PROC-230-14-K	PROC-220-16-K	PROC-220-18-K
<b>Tip (S)</b>				PROC-220-14-K		
<b>Needle (P)</b>	PRO-305-085-10-K	PRO-305-085-10-K	PRO-305-12-14-K	PRO-305-12-14-K	JGAPRO-330-K	JGAPRO-330-K
<b>Needle (S)</b>				JGAPRO-330-K		

### GFG Pro Air Cap Selection Table

Part no. XX	Tip Ø in mm		
	1.4	1.6	1.8
PROC-120-C1-K	●	●	●
PROC-120-C2-K	●	●	●

### GFG Pro Tip And Needle Selection Table

Part no. YY	Order No.		
	1.4	1.6	1.8
<b>Tip</b>	PROC-220-14-K	PROC-220-16-K	PROC-220-18-K
<b>Needle</b>		GFGPRO-320-K	

Atomisation Type =  Conventional  HVLP  Trans-Tech

### JGA & GFG Pro Recommended Spares & Accessories



**PRO-415-1**  
Spray Gun Repair Kit for JGA & GFG Pro



**GTI-428-K5**  
Seal & Pin Kit (Set of 5) for JGA & GFG Pro



**SN-402-K**  
Air Valve Assembly for JGA & GFG Pro



**SN-404-K**  
Packing Spring & Nut Kit for JGA & GFG Pro



**SN-6-K**  
Body bushing and seal for JGA & GFG Pro



**KR-566-1-B**  
Suction cup kit for JGA Pro Suction



**GFC-501**  
Gravity cup kit for GFG Pro



**KGP-5-K5**  
Filter (Pack of 5) for GFG Pro



**KR-484-K10**  
Filter (Pack of 10) for JGA Pro Suction



**KR-115-K5**  
Drip check diaphragm (Pack of 5) for JGA Pro Suction

### Ordering Example:

**JGAPPRO-XX-YY**

Gun  
P = Pressure  
S = Suction

PROC-120-C3-K Air cap

PROC-220-16-K Tip

**GFGPRO-XX-YY**

Gun

PROC-120-C1-K Air cap

PROC-220-14-K Tip



### JGA Ceramic Conventional

Part no.	
JGA-XXXXX-YYYY	JGA Ceramic Pressure, Conventional, with ST ST tip/needle & air cap
JGA-XXXXX-YYYYN	JGA Ceramic Pressure, Conventional, with Hardened tip/needle & air cap
JGA-XXXXX-YYYYC	JGA Ceramic Pressure, Conventional, with Tungsten Carbide tip/needle & air cap

#### JGA Air Cap Selection Table

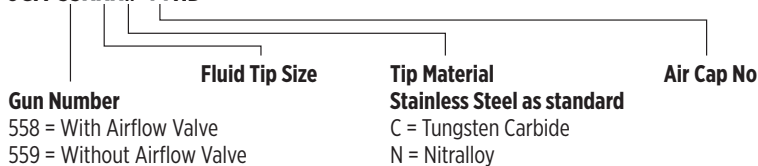
Part no. YY	Tip Ø in mm		
	1.8 - E	2.2 - D	2.8 - AC
MB-4039-62HD			●
MB-4039-64HD		●	
MB-4039-67HD	●		
MB-4039-69HD		●	

#### JGA Tip And Needle Selection Table

Part no. XX	Order No.		
	1.8 - E	2.2 - D	2.8 - AC
Tip - ST ST	AV-645-E	AV-645-D	AV-645-AC
Needle - ST ST	JGA-421-E-K	JGA-421-DEX-K	JGA-421-C-K
Tip - Hardened	AV-611-EE	AV-611-D	AV-611-AC
Needle - Hardened	JGA-402-NADEEE-K	JGA-402-NADEX-K	JGA-402-NAC-K
Tip - Carbide	AV-1415-EE-K	AV-1415-D-K	AV-1415-AC-K
Needle - Carbide	JGA-409-DEEE	JGA-409-D	JGA-409-AC

Atomisation Type =  Conventional  HVLP  Trans-Tech

#### Ordering Example: JGA-55XXX#-YYHD





### Ecco 65S Ceramic HVLP

Part no.	Description
<b>E 65S XXXX GXX PXXX</b>	Ecco 65AS Pressure, HVLP, with ST ST tip, ST ST needle & air cap
<b>E 65S XXXX GXX XXX</b>	Ecco 65AS Pressure, HVLP, with TC tip, TC needle & air cap
<b>E 65S XXXX GHXX HXXX</b>	Ecco 65AS Pressure, HVLP, with ST ST tip, TC needle & air capFIX4
<b>E 65S TXXX GXX PXXX</b>	Ecco 65AS Pressure, HVLP, with ST ST tip, ST ST needle & air cap
<b>E 65S TXXX GXX XXX</b>	Ecco 65AS Pressure, HVLP, with TC tip, TC needle & air cap
<b>E 652S XXXX XX PXXX</b>	Ecco 65AS Pressure, HVLP, with ST ST tip, TC needle & air capFIX4
<b>E 652S XXXX XX XXX</b>	Ecco 65AS Pressure, HVLP, with ST ST tip, ST ST needle & air cap

Part no.	Pat number description	Product
<b>8611654009</b>	E65S_6509_G0,9_P007	Top Assembly
<b>8611654011</b>	E65S_6511_G1,1_P007	Top Assembly
<b>8611654014</b>	E65S_6514_G1,4_P07	Top Assembly
<b>8611654018</b>	E65S_6518_G1,8_P07	Top Assembly
<b>8611654021</b>	E65S_6521_G2,1_P07	Top Assembly
<b>8611654074</b>	SPRAY GUN E65SL_6509_1,4_07	Top Assembly
<b>8611654084</b>	E65S_T278_F1,6_07	Top Assembly
<b>8611654097</b>	E65S_6514_G1,4_P07	Top Assembly
<b>8611654414</b>	E652S_6514_G1,4_07	Top Assembly
<b>8611654809</b>	E65S_6509_G0,9_007	Top Assembly
<b>8611654811</b>	E65S_6511_G1,1_007	Top Assembly
<b>8611654812</b>	E65S_6511_G1,2_007	Top Assembly
<b>8611654814</b>	E65S_6514_G1,4_07	Top Assembly
<b>8611654815</b>	E65S_T260_G1,4_07	Top Assembly
<b>8611654816</b>	ECCO 65S 1.6MM 07 HVLP	Top Assembly
<b>8611654818</b>	E65S_6518_G1,8_07	Top Assembly
<b>8611654821</b>	E65S_6521_G2,1_07	Top Assembly
<b>8611654822</b>	E65S_6518_GH1,8_H07	Top Assembly
<b>8611654829</b>	E65S_P6527_P1,8_P07	Top Assembly
<b>8611654896</b>	E65S_T278_G1,4_07_SCA41	Top Assembly
<b>8611654898</b>	E65S_T272_1,8_1807 STADELMAIER	Top Assembly



### Ecco E40S Conventional

Part no.	Description
<b>E 40S XXX XX PXXX</b>	Ecco 40S Suction, Conventional, with ST ST tip, Plastic needle & air cap
<b>E 40S TXXX XX PXXX</b>	Ecco 40S Pressure, Conventional, with ST ST tip, Plastic needle & air cap
<b>E 40S TXXX XX PXXX</b>	Ecco 40S Pressure, Conventional, with ST ST tip, Plastic needle & air cap
<b>E 40S TXXX XX XXX</b>	Ecco 40S Pressure, Conventional, with ST ST tip, ST ST needle & air cap
<b>E 40S TXXX HXX HXXX</b>	Ecco 40S Pressure, Conventional, with TC tip, TC needle & air cap
<b>E 401S XXX XX PXXX</b>	Ecco 40S Suction, Conventional, with ST ST tip, Plastic needle, air cap & suc. cup
<b>E 402S XXX XX PXXX</b>	Ecco 40S Gravity, Conventional, with ST ST tip, Plastic needle, air cap & grav. cup
<b>E 402S XXX XX XXX</b>	Ecco 40S Gravity, Conventional, with ST ST tip, ST ST needle, air cap & grav. cup
<b>E 402S XXX HXX HXXX</b>	Ecco 40S Gravity, Conventional, with TC tip, TC needle, air cap & grav. cup

Part no.	Pat number description	Designation	Product
<b>8611400013</b>	E40S_273_1,3_P07	Suction Tip SS Needle PA	Top Assembly
<b>8611400015</b>	E40S_273_1,5_P07	Suction Tip SS Needle PA	Top Assembly
<b>8611400018</b>	E40S_271_1,8_P07	Suction Tip SS Needle PA	Top Assembly
<b>8611401018</b>	E401S_271_1,8_P07	Suction Tip SS Needle PA + Suction cup	Top Assembly
<b>8611402018</b>	E402S_271_1,8_P07	Gravity Tip SS Needle PA + Gravity cup	Top Assembly
<b>8611402038</b>	E402S_275_1,8_P07	Gravity Tip SS Needle PA + Gravity cup	Top Assembly
<b>8611402921</b>	E402SH_375_H2,1_H07	Gravity Tip TC Needle TC + Gravity cup	Top Assembly
<b>8611404011</b>	E40S_T278_1,1_P007	Suction Tip SS Needle PA	Top Assembly
<b>8611404013</b>	E40S_T272_1,3_P07	Suction Tip SS Needle PA	Top Assembly
<b>8611404015</b>	E40S_T272_1,5_P07	Suction Tip SS Needle PA	Top Assembly
<b>8611404016</b>	E40S_T297_1,5_P07	Suction Tip SS Needle PA	Top Assembly
<b>8611404018</b>	E40S_T272_1,8_P07	Suction Tip SS Needle PA	Top Assembly
<b>8611404021</b>	E40_T374_2,1_P07	Suction Tip SS Needle PA	Top Assembly
<b>8611404027</b>	E40S_T474_2,7_P07	Suction Tip SS Needle PA	Top Assembly
<b>8611404311</b>	E40S_T278_1,1_007	Suction Tip SS Needle PA	Top Assembly
<b>8611404313</b>	E40S_T272_1,3_07	Suction Tip SS Needle SS	Top Assembly
<b>8611404315</b>	E40S_T272_1,5_07	Suction Tip SS Needle SS	Top Assembly
<b>8611404318</b>	E40S_T272_1,8_07	Suction Tip SS Needle SS	Top Assembly
<b>8611404321</b>	E40S_T374_2,1_07	Suction Tip SS Needle SS	Top Assembly
<b>8611404327</b>	E40S_T474_2,7_07	Suction Tip SS Needle SS	Top Assembly
<b>8611404535</b>	E40S_M370_M1,5_07	Suction Tip SS Needle SS	Top Assembly
<b>8611404591</b>	E40S_T278_1,1_P1107_ACRING	Suction Tip SS Needle PA	Top Assembly
<b>8611404913</b>	E40S_T272_H1,3_H07	Suction Tip TC Needle TC	Top Assembly
<b>8611404914</b>	E40S_T274_H1,3_H07	Suction Tip TC Needle TC	Top Assembly
<b>8611404918</b>	E40S_T272_H1,8_H07	Suction Tip TC Needle TC	Top Assembly
<b>8611404921</b>	E40S_T374_H2,1_H07	Suction Tip TC Needle TC	Top Assembly
<b>8611404922</b>	E 40S_375_H2,1_H07	Suction Tip TC Needle TC	Top Assembly
<b>8611404927</b>	E40S_T474_H2,7_H07	Suction Tip TC Needle TC	Top Assembly



PRi Pro Lite Trans-Tech

Part no.	
<b>PRILT-GPR10-YY</b>	PRi Pro Lite Gravity, Trans-Tech, with tip/needle & air cap
<b>PRILT-GPR10-UVY</b>	PRi Pro Lite Gravity, Trans-Tech, with UV tip/needle, air cap and black polyester cup

PRi Pro Lite Air Cap Selection Table

Part no. XX	Tip Ø in mm				
	1.4	1.6	1.8	2.0	2.5
PRIPRO-102-PR10-K	●	●	●	●	●

PRi Pro Lite Tip And Needle Selection Table

Part no. YY	Order No - PRIPRO-...-...-K				
	1.4	1.6	1.8	2.0	2.5
<b>Tip - Standard</b>	220-14	220-16	220-18	220-20	220-25
<b>Tip - UV</b>	219-UV1/219-UV2				
<b>Needle</b>	320	320	320	320	320
<b>Needle - UV</b>	PRIPRO-319-K				

Atomisation Type =  Conventional  HVLP  Trans-Tech

PRi Pro Lite Recommended Spares & Accessories



**PRO-470**  
Spray Gun Repair Kit for PRi Pro Lite



**GTI-428-K5**  
Seal & Pin Kit (Set of 5) for PRi Pro Lite



**PRO-471-K**  
Air valve assembly PRi Pro Lite



**SN-404-K**  
Packing spring and packing nut for PRi Pro Lite



**SN-69-K**  
Spray head and seal kit for PRi Pro Lite



**PRO-407-K**  
Air flow valve for PRi Pro Lite



**KGP-5-K5**  
Filter (Pack of 5) for PRi Pro Lite



**SN-66-K**  
Body Bushing & seal for PRi Pro Lite



**GFC-501**  
Gravity cup kit for PRi Pro Lite



**GFC-515**  
Black gravity cup



For spray gun air & fluid hoses see Page 114

Ordering Example:  
PRILT-GPR10-YYY





## SRI Pro Lite Trans-Tech/HVLP

### Part no.

<b>SRIPROL-HV5-YY</b>	SRI Pro Lite Gravity, HVLP, with tip/needle & air cap
<b>SRIPROL-TE5-YY</b>	SRI Pro Lite Gravity, Trans-Tech, with tip/needle & air cap
<b>SRIPROL-MC1-06</b>	SRI Pro Lite Gravity, Trans-Tech, with tip/needle & Micro air cap

### SRI Pro Lite Air Cap Selection Table

Part No.X	Tip Ø in mm				
	0.6	0.8	1.0	1.2	1.4
<b>SRIPRO-102-HV5-K</b>		●	●	●	●
<b>SRIPRO-102-TE5-K</b>		●	●	●	●
<b>SRIPRO-102-RS1-K Round</b>		●	●	●	●
<b>SRIPRO-102-MC1-K Micro</b>	●				

### SRI Pro Lite Tip And Needle Selection Table

Part No. YY	Order No- SRIPRO-...-...-K				
	0.6	0.8	1.0	1.2	1.4
<b>Tip</b>	SRIPRO-210-06M-K	SRIPRO-200-08-K	SRIPRO-200-10-K	SRIPRO-200-12-K	SRIPRO-200-14-K
<b>Needle</b>	SRIPRO-310-06M-K	SRIPRO-300-08-10-K		SRIPRO-300-12-14-K	

Atomisation Type =  Conventional  HVLP  Trans-Tech

### SRI Pro Lite Recommended Spares & Accessories



**PRO-415-1**  
Spray Gun Repair Kit for SRI Pro Lite



**GTI-428-K5**  
Seal & Pin Kit (Set of 5) for SRI Pro Lite



**SN-402-K**  
Air Valve Assembly for SRI Pro Lite



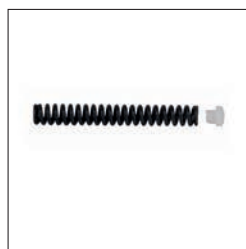
**SN-404-K**  
Packing Spring and Nut for SRI Pro Lite



**SN-405-K5**  
Stud and Screw kit for SRI Pro Lite



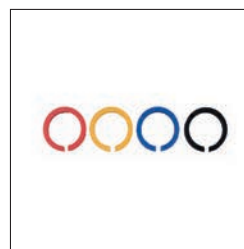
**SN-6-K**  
Body Bushing and Seal for SRI Pro Lite



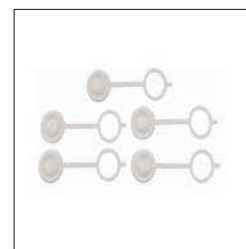
**SN-423-K3**  
Spring & pad kit for SRI Pro Lite



**PRO-408-K**  
Air Flow Valve for SRI Pro Lite



**SN-26-K4**  
Colour ID ring kit (4 colours) for SRI Pro Lite



**GFC-2-K5**  
Drip check lid (kit of 5) for SRI Pro Lite



**SRI-510**  
Gravity Cup for SRI Pro Lite

### Ordering example

**SRIPROL-XXX-YY**

Gun

SRIPRO-102-TE5-K  
Air cap

SRIPRO-200-08-K  
Tip



## FLG-5 Trans-tech

Part no.	
<b>FLG-P5-14</b>	FLG-5 Pressure, Trans-Tech, with air cap no 622 and 1.4mm fluid needle
<b>FLG-G5-14</b>	FLG-5 Gravity, Trans-Tech, with 0.6l gravity cup, air cap no 5 and 1.4mm fluid needle
<b>FLG-G5-18</b>	FLG-5 Gravity, Trans-Tech, with 0.6l gravity cup, air cap no 5 and 1.8mm fluid needle
<b>FLG-S5-18</b>	FLG-5 Suction, Trans-Tech, with 1 l suction cup, air cap no 5 and 1.8mm fluid needle

### Air Cap Selection Table

Part no.	Tip Ø in mm		
	1.4	1.8	2.0
FLG-1-622-K	P		
FLG-1-5-K	G	GS	G

### Tip And Needle Selection Table

Part no.	1.4	1.8	2.0
<b>Tip</b>	SGK-12-14-K	SGK-14-18-K	SGK-12-20-K
<b>Needle</b>	SGK-402-14-K - Pressure	SGK-418 -K- Gravity	SGK-420-K - Gravity
	SGK-414-K - Gravity	SGK-430-18-K - Suction	

Atomisation Type =  Conventional  HVLP  Trans-Tech

## FLG-5 Recommended Spares & Accessories



**K-5044**  
Replacement seal, air distributing ring and seal ring FLG-5 P



**K-5032**  
Replacement air distributing ring kit for FLG-5 P



**K-5040**  
Seal & air distributing ring kit for FLG-5 G S



**K-5030**  
Air distributing ring kit for FLG-5 G S



**GFC-501**  
Gravity cup kit for FLG-5 G



**KGP-5-K5 -**  
Filter (Pack of 5) for FLG-5 G



**GFC-402 -**  
Lid Assembly for FLG-5 G



**K-5370 -**  
Needle Packing for FLG-5 P G S



**HAV-501-**  
In-line Air Adjusting for FLG-5 P G S



**KK-4584**  
Professional spray gun cleaning kit for FLG-5 P G S



### CSpray Conventional

Part no.	
<b>ADV-PCDT-10</b>	CSpray Pressure, Conventional, with a 1.0mm ST ST tip/needle & CDT air cap
<b>ADV-PCDT-12</b>	CSpray Pressure, Conventional, with a 1.2mm ST ST tip/needle & CDT air cap
<b>ADV-PCDT-14</b>	CSpray Pressure, Conventional, with a 1.4mm ST ST tip/needle & CDT air cap
<b>ADV-PCDT-16</b>	CSpray Pressure, Conventional, with a 1.6mm ST ST tip/needle & CDT air cap
<b>ADV-GCDTG-10</b>	CSpray Gravity, Conventional, with a 1.0mm ST ST tip/needle & CDT air cap
<b>ADV-GCDTG-12</b>	CSpray Gravity, Conventional, with a 1.2mm ST ST tip/needle & CDT air cap
<b>ADV-GCDTG-14</b>	CSpray Gravity, Conventional, with a 1.4mm ST ST tip/needle & CDT air cap
<b>ADV-GCDTG-16</b>	CSpray Gravity, Conventional, with a 1.6mm ST ST tip/needle & CDT air cap

### 2100 VT Conventional

Part no.	
<b>2101-4909-5</b>	2100 Pressure spray gun, conventional with 67VT tungsten carbide nozzle / needle and 67PB air cap

### MACH1 PCX HVLP

Part no.	
<b>6907-2801-7</b>	MACH1 PCX Pressure spray gun, HVLP with 92PC air cap and injector

#### Injector selection table

Size inches		Part No.
.013	Injector	<b>102-2851</b>
.016	Injector	<b>102-2852</b>
.020	Injector	<b>102-2853</b>

### JJ Gun Trans-Tech

Part no.	
<b>JJ-205-1.0-P</b>	JJ Pressure spray gun, Trans Tech with 205 air cap and 1.0mm nozzle
<b>JJ-243-1.3-G</b>	JJ Gravity spray gun, Trans Tech with 243 air cap and 1.3mm nozzle
<b>JJ-243-1.3-S</b>	JJ Suction spray gun, Trans Tech with 243 air cap and 1.3mm nozzle

### SLG-650 Compliant/HVLP Spray Gun Kit

Part no.	
<b>SLG-650</b>	General Purpose Trans-Tech gravity spray gun with 0.6l cup and 1.3mm tip/needle, HVLP Touch Up spray gun with 0.25l cup and 1.0mm tip/needle. The kit is supplied in a case complete with additional 1.8mm tip/needle, cleaning brushes, wrench and air adjusting valve with gauge

### DAGR Airbrush

Part no.	
<b>DGR-501G-35</b>	DAGR gravity airbrush - 0.35mm - 9cc cup/lid
<b>DGR-123</b>	3m (10') braided nylon air hose with ¼" swivel connections
<b>DGR-121K</b>	Repair kit - O-rings, needle spring and washers

### HAV-501 In-Line Air Adjusting Valve

Part no.	
<b>HAV-501-B</b>	In-line air adjusting valve

Atomisation Type =   Conventional   HVLP   Trans-Tech





## AG-361 Trans-Tech/HVLP



Part no.	
<b>AG361-TEXX-YY</b>	AG-361 Automatic gun, Trans-Tech, with <b>ST ST tip/needle</b> & air cap
<b>AG361-TEXX-YYN</b>	AG-361 Automatic gun, Trans-Tech, with <b>Hardened tip/needle</b> & air cap
<b>AG361-HVXX-YY</b>	AG-361 Automatic gun, HVLP, with <b>ST ST tip/needle</b> & air cap
<b>AG361-HVXX-YYN</b>	AG-361 Automatic gun, HVLP, with <b>Hardened tip/needle</b> & air cap

## AG-361 Conventional

Part no.	
<b>AG361-CX-YY</b>	AG-361 Automatic gun, Conventional atomisation, with <b>ST ST tip/needle</b> & air cap
<b>AG361-CX-YYN</b>	AG-361 Automatic gun, Conventional atomisation, with <b>ST ST tip/needle</b> & air cap

Atomisation Type =  Conventional  HVLP  Trans-Tech

### Air Cap Selection Table

Part no. XX	0.85	1.0	1.2	1.4	1.6	1.8	2.0	2.2
PROC-120-C1-K	●	●	●	●	●	●		
PROC-120-C2-K	●	●	●	●	●	●		
PROC-120-C3-K	●	●	●	●	●	●		
PRO-100-HV30-K	●	●	●	●	●	●	●	●
PRO-100-TE10-K	●	●	●	●	●	●	●	●
PRO-100-TE20-K	●	●	●	●	●	●	●	●
PRO-100-TE30-K	●	●	●	●	●	●	●	●
PRO-100-TE40-K	●	●	●	●	●	●	●	●
PRO-100-TE50-K	●	●	●	●	●	●	●	●

### Tip And Needle Selection Table

Part no. YY	Order No							
	0.85	1.0	1.2	1.4	1.6	1.8	2.0	2.2
<b>Tip(SS) - TT/HVLP</b>	PRO-205-085-K	PRO-205-10-K	PRO-205-12-K	PRO-205-14-K	PRO-205-16-K	PRO-205-18-K	PRO-205-20-K	PRO-205-22-K
<b>Tip(SS) - Conv</b>	PROC-215-085-K	PROC-215-10-K	PROC-215-12-K	PROC-215-14-K	PROC-215-16-K	PROC-215-18-K		
<b>Hardened Tip - TT/HVLP</b>		PRO-205N-10-K		PRO-205N-14-K		PRO-205N-18-K		PRO-205N-22-K

Part no. YY	Order No							
	0.85	1.0	1.2	1.4	1.6	1.8	2.0	2.2
<b>Needle (SS)</b>	SPA-361-085-10-K		SPA-361-12-14-K		SPA-361-16-18-K		SPA-361-20-22-K	
<b>Hardened Needle - TT/HVLP</b>	SPA-361N-085-10-K		SPA-361N-12-14-K		SPA-361N-16-18-K		SPA-361N-20-22-K	

Variations of the AG361 are available with the following fluid control modifications

Ratchet Adjustment = Standard

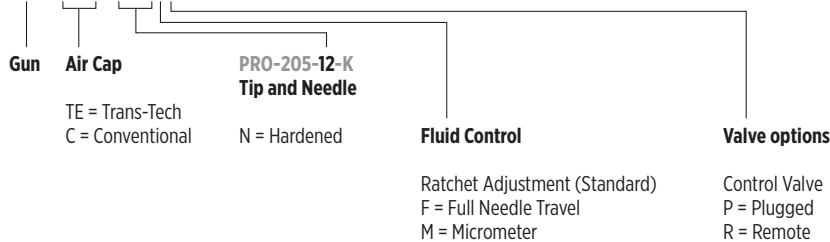
F = Full Needle Travel

M = Micrometer

Please refer to the service bulletin for the part numbers for these combinations.

### Ordering example

**AG361-XXXX-YYNFP**



**AG-361 Recommended Spares & Accessories**



**SPA-414-K**  
Control Valve for AG-361- Ref 17



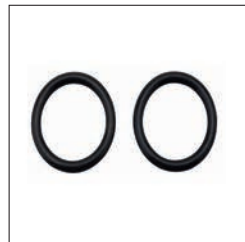
**SPA-159-K**  
Needle Packing for AG-361 -  
Ref 11a



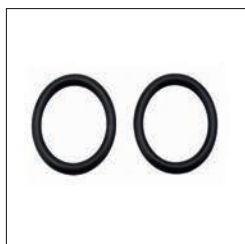
**SN-69-K**  
Spray head and Pin Assembly  
for AG-361 - Ref 5a



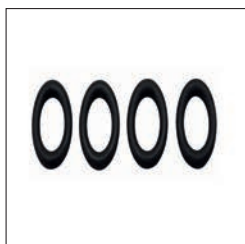
**SPA-6X-K**  
Piston and gasket for AG-361  
-Ref 18



**S-28225X-K2**  
O-ring (Kit of 2) for AG-361-  
Ref 20



**S-28220X-K2**  
O-ring (Kit of 2) for AG-361  
-Ref 19



**S-28219X-K4**  
O-ring (Kit of 4) for AG-361  
-Ref 21



**PRO-405-K**  
Retaining ring sub assembly for  
AG-361 - Ref 2



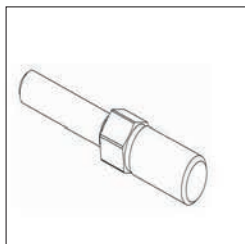
**SPA-417-K**  
Micrometer needle adjustment  
assembly for AG-361



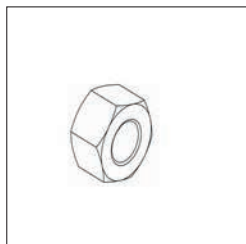
**SPA-167-K**  
Fixed needle position end cap  
for AG-361



**SPA-22-K2**  
Remote air controller for AG-361  
- Ref 17



**AGGS-33**  
Mounting Bar for AG-361



**SS-659-CD**  
Mounting Bar Nut for AG-361



For air regulators see  
page 120 for details



For fluid regulators see page  
116 for details



## AG-361E Ceramic Conventional

Part no.	
<b>AG361E-CXX-YY</b>	AG361E Automatic gun, Conventional atomisation, with <b>ST ST tip/needle</b> & air cap
<b>AG361E-CXX-YYN</b>	AG361E Automatic gun, Conventional atomisation, with <b>Hardened tip/needle</b> & air cap
<b>AG361E-CXX-YYC</b>	AG361E Automatic gun, Conventional atomisation, with <b>Tungsten Carbide tip/needle</b> & air cap

Atomisation Type =  Conventional  HVLV  Trans-Tech

### Air Cap Selection Table

Part no. XX	1.4	1.8	2.2	2.8
PROC-120-C62-K				●
PROC-120-C64-K			●	
PROC-120-C67-K	●	●		

### Tip And Needle Selection Table

Part no. YY	Order No			
	1.4	1.8	2.2	2.8
<b>Tip(SS)</b>	PRO-250-14-K	PRO-250-18-K	PRO-250-22-K	PRO-250-28-K
<b>Hardened Tip</b>	PRO-250N-14-K	PRO-250N-18-K	PRO-250N-22-K	PRO-250N-28-K
<b>Tungsten Tip</b>		PRO-250C-18	PRO-250C-22	PRO-250C-28

Part no. YY	Order No			
	1.4	1.8	2.2	2.8
<b>Needle (SS)</b>		SPA-360-18-22-K		SPA-360-28-K
<b>Hardened Needle</b>		SPA-360N-18-22-K		SPA-360N-28-K
<b>Tungsten Needle</b>		SPA-360C-18-22		SPA-360C-28

### AG-361E Recommended Spares & Accessories



**SPA-414-K**  
Control Valve for AG-361E - Ref 17



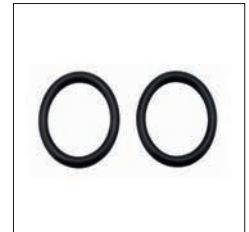
**SPA-420-K**  
Needle Packing for AG-361E - Ref 11b



**SPA-6X-K**  
Piston and Gasket for AG-361E - Ref 18



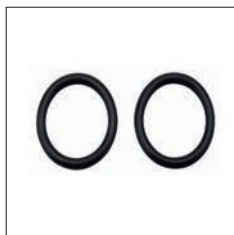
**SPA-22-K2**  
Remote air controller for AG-361E - Ref 17



**S-28225X-K2**  
Gasket (Pack of 2) for AG-361E - Ref 20



**PRO-405-K**  
Retaining ring sub assembly for AG-361E - Ref 2



**S-28220X-K2**  
Gasket (Pack of 2) for AG-361E - Ref 19



**SPA-415-K**  
Rear Housing Assembly - Ref 24



**SPA-417-K**  
Micrometer needle adjustment assembly for AG-361E



**SPA-167-K**  
Fixed needle position end cap for AG-361E

### Ordering example

**AG361E-CXX-YYNFP**

Gun

Air Cap

PRO-250-18-K  
Tip and Needle

C = Conventional

N = Hardened  
C = Tungsten Carbide

**Fluid Control**

Ratchet Adjustment (Standard)  
F = Full Needle Travel  
M = Micrometer

**Valve options**

Control Valve  
P = Plugged  
R = Remote

Variations of the AG361E are available with the following modifications

Ratchet Adjustment = Standard  
F = Full Needle Travel  
M = Micrometer

Please refer to the service bulletin for the part numbers for these combinations.



### AG-362 Trans-Tech/HVLP

**Part no.**

<b>AG362-TEXX-YY-L</b>	AG-362 Automatic gun, with lever manifold, Trans-Tech, with <b>ST ST tip/needle</b> & air cap
<b>AG362-TEXX-YY-S</b>	AG-362 Automatic gun, with screw manifold, Trans-Tech, with <b>ST ST tip/needle</b> & air cap
<b>AG362-HVXX-YY-L</b>	AG-362 Automatic gun, with lever manifold, HVLP, with <b>ST ST tip/needle</b> & air cap
<b>AG362-HVXX-YY-S</b>	AG-362 Automatic gun, with screw manifold HVLP, with <b>ST ST tip/needle</b> & air cap

### AG-362 Conventional

**Part no.**

<b>AG362-CX-YY-L</b>	AG-362 Automatic gun, with lever manifold, Conventional atomisation, with <b>ST ST tip/needle</b> & air cap
<b>AG362-CX-YY-S</b>	AG-362 Automatic gun, with screw manifold, Conventional atomisation, with <b>ST ST tip/needle</b> & air cap

Atomisation Type =   Conventional   HVLP   Trans-Tech

#### Air Cap Selection Table

Part no. XX	0.85	1.0	1.2	1.4	1.6	1.8	2.0	2.2
PROC-120-C1-K	●	●	●	●	●	●		
PROC-120-C2-K	●	●	●	●	●	●		
PROC-120-C3-K	●	●	●	●	●	●		
PRO-100-HV30-K	●	●	●	●	●	●	●	●
PRO-100-TE10-K	●	●	●	●	●	●	●	●
PRO-100-TE20-K	●	●	●	●	●	●	●	●
PRO-100-TE30-K	●	●	●	●	●	●	●	●
PRO-100-TE40-K	●	●	●	●	●	●	●	●
PRO-100-TE50-K	●	●	●	●	●	●	●	●

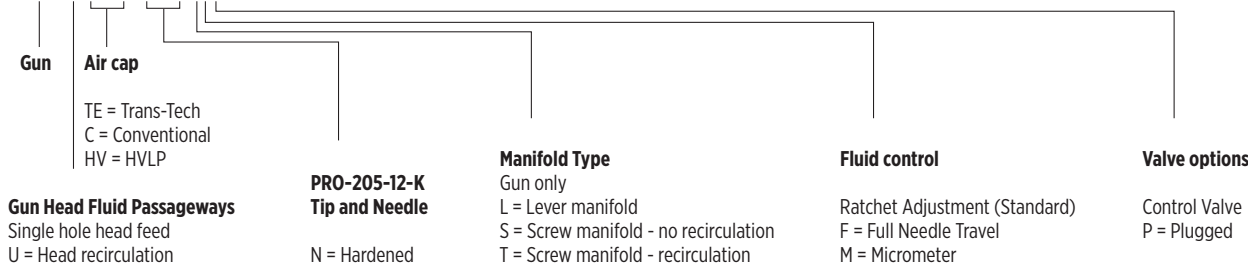
#### Tip And Needle Selection Table

Part no. YY	Order No							
	0.85	1.0	1.2	1.4	1.6	1.8	2.0	2.2
Tip - Conv (SS)	PROC-215-085-K	PROC-215-10-K	PROC-215-12-K	PROC-215-14-K	PROC-215-16-K	PROC-215-18-K		
Tip - TT/HVLP (SS)	PRO-205-085-K	PRO-205-10-K	PRO-205-12-K	PRO-205-14-K	PRO-205-16-K	PRO-205-18-K	PRO-205-20-K	PRO-205-22-K
Hardened Tip - TT/HVLP		PRO-205N-10-K		PRO-205N-14-K		PRO-205N-18-K		PRO-205N-22-K

Part no. YY	Order No							
	0.85	1.0	1.2	1.4	1.6	1.8	2.0	2.2
Needle (SS)	SPA-362-085-10-K		SPA-362-12-14-K		SPA-362-16-18-K		SPA-362-20-22-K	
Hardened Needle - TT/HVLP	SPA-362N-085-10-K		SPA-362N-12-14-K		SPA-362N-16-18-K		SPA-362N-20-22-K	

#### Ordering example

**AG362U-XXXX-YYN-LFP**



## AG-362 Recommended Spares & Accessories



**SPA-414-K**  
Control Valve for AG-362  
- Ref 34



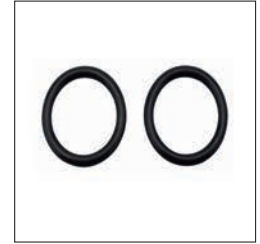
**SPA-159-K**  
Needle Packing for AG-362  
- Ref 9



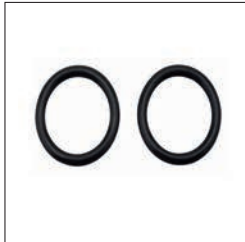
**SN-69-K**  
Spray head and Pin Assembly  
for AG-362 - Ref 5



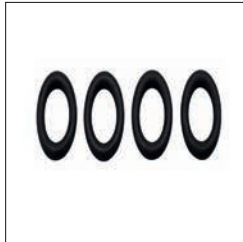
**SPA-60X-K**  
Piston and seal kit for  
AG-362 - Ref 15



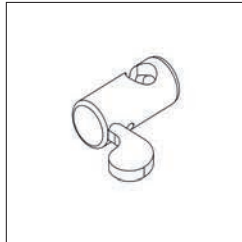
**S-28225X-K2**  
O-ring (Kit of 2) for AG-362-  
Ref 20



**S-28220X-K2**  
O-ring (Kit of 2) for AG-362  
- Ref 14



**S-28219X-K4**  
O-ring (Kit of 4) for AG-362  
- Ref 19



**SPA-424-K**  
Locking Cam for AG-362 -  
Ref 32



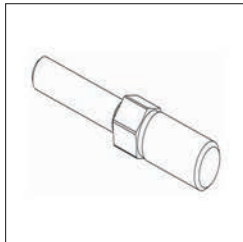
**SPA-417-K**  
Micrometer needle adjustment  
assembly for AG-362



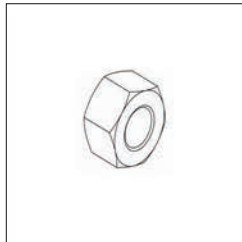
**SPA-167-K**  
Fixed needle position end cap  
for AG-362



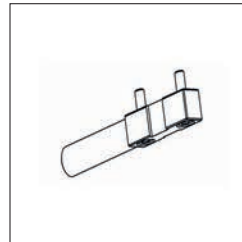
**SPA-22-K2**  
Remote air controller for  
AG-362 - Ref 34



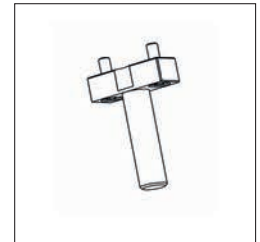
**AGGS-33**  
Mounting Bar for AG-362



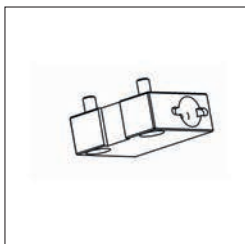
**SS-659-CD**  
Mounting Bar Nut for AG-362



**SPA-173-K**  
Horizontal mounting bar and  
screws for AG-362



**SPA-174-K**  
Vertical mounting bar and  
screws for AG-362



**SPA-175-K**  
Mounting block and screws for  
AG-362



**SPA-176-K**  
Index adjustment and screws  
for AG-362



Variations of the AG362 are available with the following modifications

Ratchet Adjustment = Standard

F = Full Needle Travel

M - Micrometer

Manifold Type

Gun only

L = Lever manifold

S = Screw manifold - no recirculation

T = Screw manifold - recirculation

Please refer to the service bulletin for the part numbers for these combinations.



### AG-362P

Part no.	
<b>AG362P-90HV-YY-S</b>	AG-362P Automatic gun, with screw manifold, HVLP, with <b>ST ST tip/needle</b> & air cap
<b>AG362P-90HV-YY-L</b>	AG-362P Automatic gun, with lever manifold, HVLP, with <b>ST ST tip/needle</b> & air cap

#### AG-362P Air Cap Selection Table

Part no. XXXX	Tip Ø in mm		
	0.5	0.7	1.0
CV-39-90HV	●	●	●
CV-39-90	●	●	●

#### Tip And Needle Selection Table

Part no. YYY	Order No		
	0.5	0.7	1.0
Tip	CV-30-H	CV-30-G	CV-30-FHV
Needle	SPA-364-05-07-K		SPA-364-10-K



### Cobra 3C

Part no.	
<b>CBA3C-XXX-YYN</b>	Cobra 3C, Trans Tech, with hardened tip/needle & air cap
<b>CBA3C-XXXXX-YYN</b>	Cobra 3C, HVLP, with hardened tip/needle & air cap

#### Cobra 3C Air Cap Selection Table

Part no. XXXXX	Tip Ø in mm		
	0.7	0.85	1.0
SP-100-590-ADV-K	●	●	●
SP-100-590HV-ADV-K	●	●	●

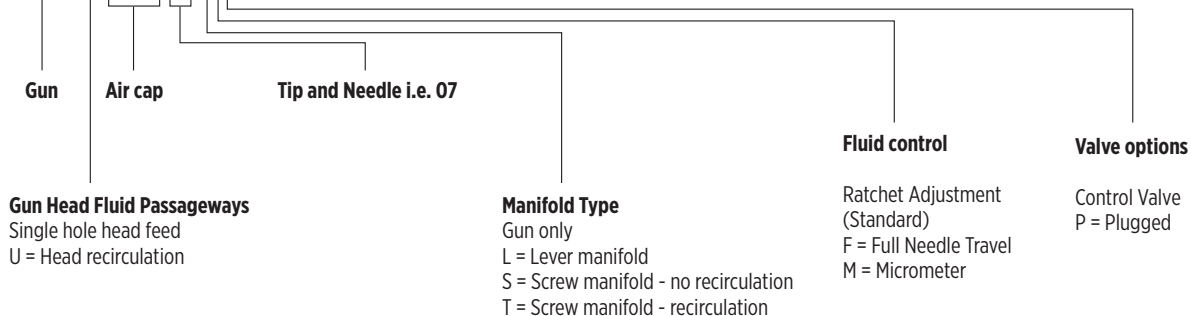
#### Tip And Needle Selection Table

Part no. YYY	Order No		
	0.7	0.85	1.0
Tip - Hardened	SP-259N-07	SP-259N-085-K	SP-259N-10-K
Needle - Hardened	SPA-353-07-K	SPA-353-085-K	SPA-353-10-K

Atomisation Type =  Conventional  HVLP  Trans-Tech

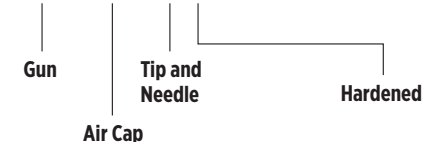
#### Ordering example - AG-362P:

**AG362PU-90HV-YY-LFP**



#### Ordering example - Cobra 3C:

**CBA3C-XXXXX-YYN**





### AGMD Pro (Robot Mounted Automatic Spray Gun)

Part no.	
AGMDPRO-XXXX-YY	AGMD Pro Trans-Tech/HVLP with ST ST tip/needle & air cap
AGMDPROU-XXXX-YY	AGMD Pro Trans-Tech/HVLP with ST ST tip/needle & air cap with recirculation
AGMDPRO-XXXX-YYP	AGMD Pro Trans-Tech/HVLP with plastic tip/needle & air cap
AGMDPROU-XXXX-YYP	AGMD Pro Trans-Tech/HVLP with plastic tip/needle & air cap with recirculation
AGMDPRO-V40-YY	AGMD Pro Trans-Tech/HVLP with vortex tip/needle & air cap
AGMDPROU-V40-YY	AGMD Pro Trans-Tech/HVLP with vortex tip/needle & air cap with recirculation
AGMDPROG-TE20-YY	AGMD Pro Trans-Tech/HVLP Gravity with ST ST tip/needle & air cap
AGMDPROC-C797-YY	AGMD Pro Conventional with ST ST tip/needle & air cap
AGMDPROCU-C797-YY	AGMD Pro Conventional with ST ST tip/needle & air cap with recirculation
AGMDPROC-C797-YYP	AGMD Pro Conventional with plastic tip/needle & air cap
AGMDPROCU-C797-YYP	AGMD Pro Conventional with plastic tip/needle & air cap with recirculation
AGMDPRO-402-K	Standard Intermediate Plate - with removable location pin
AGMDPRO-403-K	Standard Machine Mount base Assembly

### AGMD Pro Air Cap Selection Table

£110.40	Tip Ø in mm								
	0.5	0.7	0.85	1.0	1.1	1.2	1.4	1.6	1.8
AGMDPRO-102-C797C-K	●	●			●	●	●		
AGMDPRO-102-C3C-K			●	●	●	●	●	●	●
AGMDPRO-102-HV30C-K			●	●	●	●	●	●	●
AGMDPRO-102-TE20C-K*								●	●
AGMDPRO-102-TE30C-K			●	●		●	●	●	●
AGMDPRO-102-TE40C-K			●	●		●	●	●	●
AGMDPRO-102-TE50C-K			●	●		●	●	●	●
AGMDPRO-102-R40-K			●	●		●	●	●	●
PRO-100-V40-K						●	●	●	●
AGMDPRO-102-TE40SC-K			●	●		●	●	●	●

\*For use with AGMD Pro Gravity only

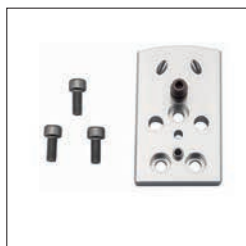
### Tip and Needle Selection Table

Part no. YY	Order No. PRO-								
	0.5	0.7	0.85	1.0	1.1	1.2	1.4	1.6	1.8
Tip - ST ST Conventional	245-05-K	245-07-K			245-11-K		245-14-K		
Tip - ST ST Trans-Tech			205-085-K	205-10-K		205-12-K	205-14-K	205-16-K	205-18-K
Tip - Hardened Trans-Tech			205N-085K	205N-10-K		205N-12-K	205N-14-K	205N-16-K	205N-18-K
Tip - Vortex Trans-Tech						205V-12-K	205V-14-K		205V-18-K

Part no. YY	Order No. AGMDPRO-								
	0.5	0.7	0.85	1.0	1.1	1.2	1.4	1.6	1.8
Needle - ST ST Conventional	301-05-07-K				301-085-10-K		301-12-14-K		
Needle - ST ST Trans-Tech			301-085-10-K			301-12-14-K		301-16-18-K	
Needle - Hardened			301N-085-10-K			301N-12-14-K		301N-16-18-K	
Needle - Plastic Tip Conventional	301P-05-07-K				301P-085-10-K		301P-12-14-K		
Needle - Plastic Tip Trans-Tech			301P-085-10-K			301P-12-14-K			

Atomisation Type =  Conventional  HVLP  Trans-Tech

**AGMD Pro Recommended Spares & Accessories**



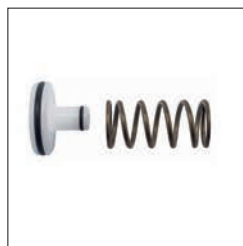
**AGMDPRO-402-K**  
Standard Intermediate Plate for AGMD Pro



**AGMDPRO-403-K**  
Standard Machine Mount Base Assembly for AGMD Pro



**AGMDPRO-8-K5**  
Packing Kit of 5 for AGMD Pro - Ref 14



**AGMDPRO-404-K**  
Piston Assembly for AGMD Pro Ref 19



**AGMDPRO-29X-K5**  
O-ring Kit of 5 for AGMD Pro Ref 12



**AGMDPRO-408-K**  
Retaining Ring & Seals for AGMD Pro Ref 2



**AGMDPRO-406-K**  
Cam Kit for AGMD Pro Ref 16 & 17



**AGMDPRO-13-K**  
End Cap for AGMD Pro



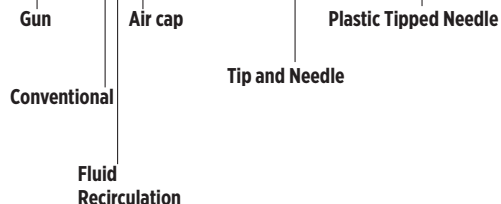
**AGMDPRO-405-K**  
Needle Spring Assembly for AGMD Pro Ref 25



**AGMDPRO-9-K2**  
Head Gasket for AGMD Pro Ref 13

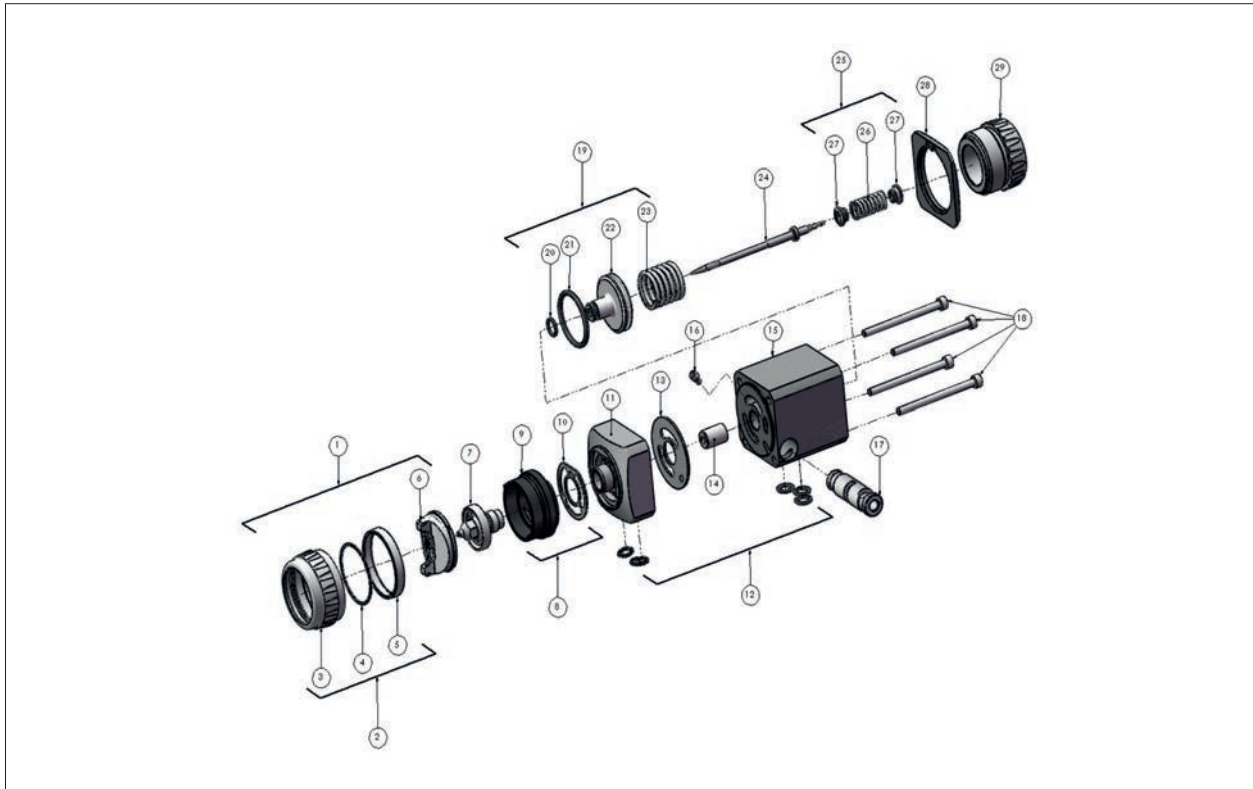
**Ordering example - AGMD Pro:**

**AGMDPROCU-XXXX-YYP**





## AGMD Pro, Trans-Tech

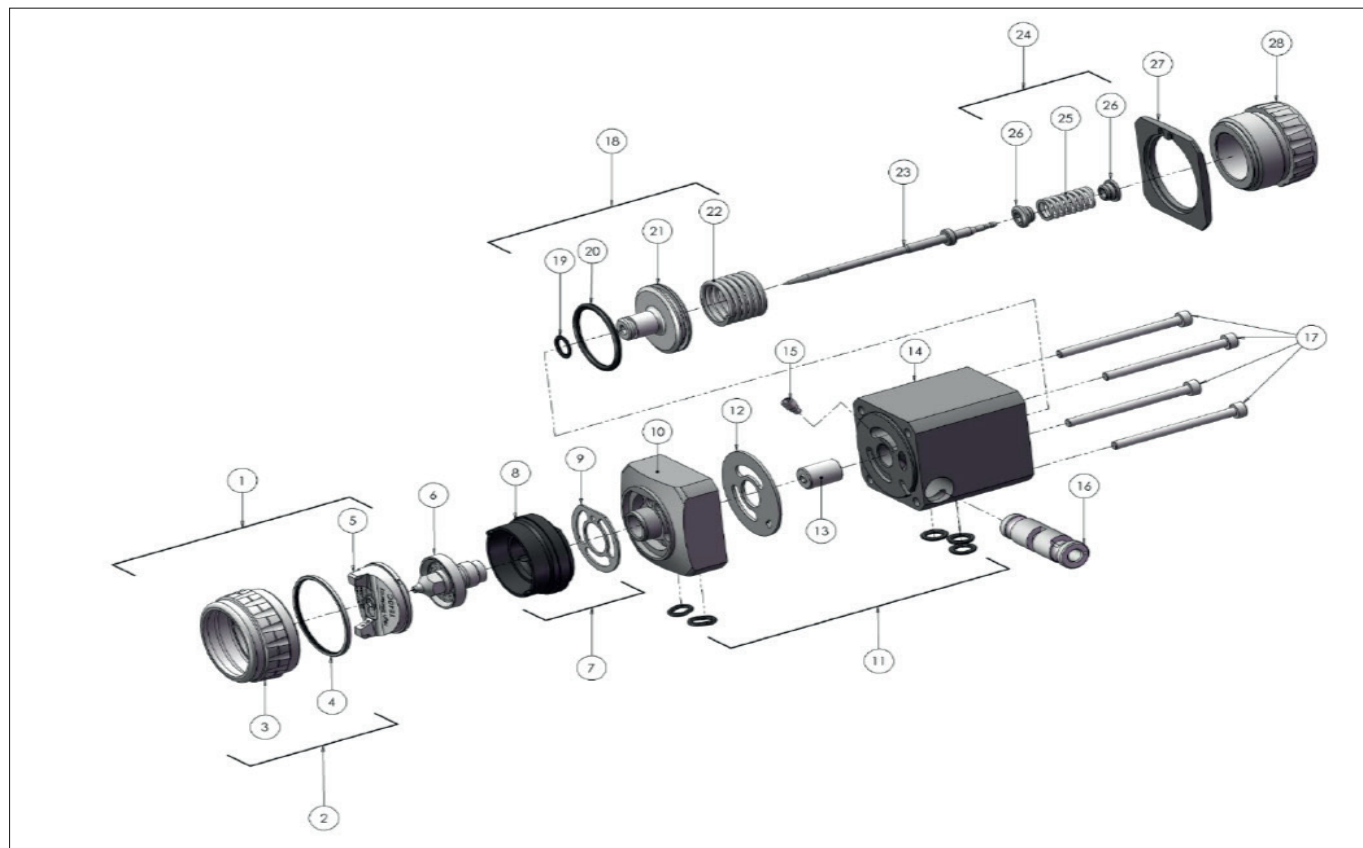


### Spare Parts

Ref.	Part no.	Description
1	<b>AGMDPRO-102-TEXXC-K</b>	Air cap and Retaining Ring See Table
2	<b>AGMDPRO-408-K</b>	Retaining Ring and Seals
3		Retaining Ring
4		Shim
5		Retaining Ring Seal
6		Air Cap
7		Fluid Tip See Table
8	<b>AGMDPRO-11-1-K</b>	Indexing Head Assembly
9		Index Spray Head
10	<b>SN-98-K2</b>	Spray Head Gasket
11	<b>AGMDPRO-1-1-K</b>	Head
	<b>AGMDPRO-1-1-U-K</b>	Head - Recirculation
12	<b>AGMDPRO-29X-K5</b>	O-ring, Kit of 5
13	<b>AGMDPRO-9-K2</b>	Head Gasket
14	<b>AGMDPRO-8-K5</b>	Packing, Kit of 5
15		Body
16		Retaining Screw
17		Cam
18	<b>AGMDPRO-10-K4</b>	Cap Head Screws (Kit of 4)
19	<b>AGMDPRO-404-K</b>	Piston Assembly
20		O-ring
21		O-ring
22		Piston
23		Piston Spring
24		Fluid Needle See Table
25	<b>AGMDPRO-405-K</b>	Needle Spring Assembly
26		Needle Spring
27		Spring Button

Ref.	Part no.	Description
28	<b>AGMDPRO-12-K</b>	End Plate
29	<b>AGMDPRO-13-K</b>	End Cap
	<b>AGMDPRO-406-K</b>	Cam Kit (Ref 16 & 17)

AGMD Pro, Conventional



Spare Parts

Ref.	Part no.	Description
1	<b>AGMDPRO-102-C797C-K</b>	Air cap and Retaining Ring
2	<b>AGMDPRO-408-K</b>	Retaining Ring and Seals
3		Retaining Ring
4		Retaining Ring Seal
5		Air Cap
6		Fluid Tip See Table
7	<b>AGMDPRO-11-1-K</b>	Indexing Head Assembly
8		Index Spray Head
9	<b>SN-98-K2</b>	Spray Head Gasket
10	<b>AGMDPRO-1-1-K</b>	Head
	<b>AGMDPRO-1-1-U-K</b>	Head - Recirculation
11	<b>AGMDPRO-29X-K5</b>	O-ring, Kit of 5
12	<b>AGMDPRO-9-K2</b>	Head Gasket
13	<b>AGMDPRO-8-K5</b>	Packing, Kit of 5
14		Body
15		Retaining Screw
16		Cam
17	<b>AGMDPRO-10-K4</b>	Cap Head Screws (Kit of 4)
18	<b>AGMDPRO-404-K</b>	Piston Assembly
19		O-ring
20		O-ring
21		Piston
22		Piston Spring
23		Fluid Needle See Table

Ref.	Part no.	Description
24	<b>AGMDPRO-405-K</b>	Needle Spring Assembly
25		Needle Spring
26		Spring Button
27	<b>AGMDPRO-12-GR</b>	End Plate
28	<b>AGMDPRO-13-K</b>	End Cap
	<b>AGMDPRO-406-K</b>	Cam Kit (Ref 15 & 16)



### Ecco 60AS Conventional

Part no.	Description
<b>E 60AS TXXX XX AXXX</b>	Ecco 60AS Pressure, Conventional, with ST ST tip, ST ST needle 3mm & air cap
<b>E 60AS TXXX HXX AXXX</b>	Ecco 60AS Pressure, Conventional, with TC tip, ST ST needle 3mm & air cap
<b>E 60AS TXXX HXX HAXXX</b>	Ecco 60AS Pressure, Conventional, with TC tip, TC needle 3mm & air cap
<b>E 60AS TXXX HXX HA04</b>	Ecco 60AS Pressure, Conventional, with TC tip, TC needle 4mm & air cap

Part no.	Pat number description	Product
<b>8611616062</b>	E60AS_T278_1,1_HA001	Top Assembly
<b>8611616063</b>	E60AS_T272L_1,3_A01	Top Assembly
<b>8611616064</b>	E60AS_T274_1,8_A01	Top Assembly
<b>8611616065</b>	"E60AS_T272_B0,8_HA001	Top Assembly
<b>8611616066</b>	E60AS_275_1,3_A01	Top Assembly
<b>8611616067</b>	E60AS_T272_1,5_A01	Top Assembly
<b>8611616069</b>	E60AS_T374_2,1_A01	Top Assembly
<b>8611616077</b>	E60AS_T274_1,1_HA001	Top Assembly
<b>8611616079</b>	E60AS_T374_H2,1_HA01_FANW-RE	Top Assembly
<b>8611616082</b>	ECCO 60AS_T272 BRASS_1,8_A01	Top Assembly
<b>8611616083</b>	E60AS_T260_1,5_HA01_FANW_RE	Top Assembly
<b>8611616090</b>	E60ASH_T272_H1,3_HA01	Top Assembly
<b>8611616120</b>	E60AS_T272MSGFIX4_1,3_HA01	Top Assembly
<b>8611616122</b>	E60AS/T260/H1,3 /HA01	Top Assembly
<b>8611616124</b>	ECCO60AS/T260POM/1,3 /HA01	Top Assembly
<b>8611606327</b>	E60AS_T474_H2,7_HA04	Top Assembly

### Ecco 65AS Ceramic HVLP & ProLeather

Part no.	Description
<b>E 65AS XXXX GXH AXXX</b>	Ecco 65AS Pressure, HVLP, with ST ST tip, ST ST needle & air cap
<b>E 65AS XXXX HXX GHAXXX</b>	Ecco 65AS Pressure, HVLP, with TC tip, TC needle & air cap
<b>E 65AS XXXXFIX4 GXH AXXX ProLeather</b>	Ecco 65AS Pressure, HVLP, with ST ST tip, TC needle & air capFIX4

Part no.	Pat number description	Product
<b>8611654918</b>	E65AS_6518_GH1,8_HA01	Top Assembly
<b>8611656014</b>	E65AS_6514_G1,4_A01	Top Assembly
<b>8611656018</b>	E65AS_6518_G1,8_A01	Top Assembly
<b>8611656021</b>	E65AS_6521_G2,2_A01	Top Assembly
<b>8611656108</b>	E65AS_6509FIX4_G0,8_HA001_PRO LEATHER	Top Assembly
<b>8611656114</b>	E65AS_6514FIX4_G1,4_HA01_PRO LEATHER	Top Assembly



### Ecco 75AP Conventional/HVLP

Part no.	Description
<b>E 75AP TXXXFIX4 XX AXXX</b>	Ecco 75AP, Conventional with ST ST tip, ST ST needle & FIX4 certified air cap
<b>E 75AP TXXXFIX4 HXX HAXXX</b>	Ecco 75AP, Conventional with TC tip, TC needle & FIX4 certified air cap
<b>E 75AP XXXXFIX4 XX AXXX</b>	Ecco 75AP, HE with ST ST tip, ST ST needle & FIX4 certified air cap
<b>E 75AP XXXXFIX4 HXX HAXXX</b>	Ecco 75AP, HE with TC tip, TC needle & FIX4 certified air cap

Part no.	Pat number description	Product
<b>8611617500</b>	E75AP_T278_FIX4_G1,4C_A0475FP	Top Assembly
<b>8611617506</b>	E75AP_T278FIX4_F1,1C_HA00475	Top Assembly
<b>8611617515</b>	E75AP_T297FIX4_F1,1C_A00475	Top Assembly
<b>8611617517</b>	E75AP_T297FIX4_F1,1_HA00475	Top Assembly
<b>8611617521</b>	E75AP_T297FIX4_F1,4C_HA0475FP	Top Assembly
<b>8611617539</b>	E75AP T297 H1,8 HA0475	Top Assembly
<b>8611617542</b>	E75AP_T378FIX4_H2,1_HA0475	Top Assembly
<b>8611617549</b>	E75AP T474FIX4 2.7 HA0475	Top Assembly
<b>8611617560</b>	E75AP_6509 FIX4_0,3_A00475	Top Assembly
<b>8611617561</b>	E75AP/6509 FIX2/0,5/HA00475	Top Assembly
<b>8611617562</b>	E75AP_6509FIX4_0,5C_HA00475	Top Assembly
<b>8611617564</b>	E75AP/6509 FIX4/F0.8C /HA00475	Top Assembly
<b>8611617585</b>	E75AP_6509SSFIX4_0,3C_HA00475	Top Assembly
<b>8611617586</b>	E75AP_T297_G0,8C_A00475 SOLID	Top Assembly
<b>8611617588</b>	E75AP T278FIX4 G1.8C HA0475	Top Assembly
<b>8611617589</b>	E75AP T297FIX4 F0.8C HA00475	Top Assembly



### Ecco 40DA Ceramic Conventional

Part no.	Description
<b>E 40DA TXXX XX</b>	Ecco 40DA Pressure, Conventional, with ST ST tip & air cap
<b>E 40DA TXXX HXX</b>	Ecco 40DA Pressure, Conventional, with TC tip & air cap

Part no.	Pat number description	Product
<b>8611521010</b>	E40DA_T272_1,5	Top Assembly
<b>8611521021</b>	E40DA_T260SS_1,1	Top Assembly
<b>8611521025</b>	E40DA_T272_1,3	Top Assembly
<b>8611521026</b>	E40DA_T272_1,5_FIMO	Top Assembly
<b>8611521041</b>	ECCO 40DA/H2,1/T374MSG	Top Assembly
<b>8611521065</b>	E40DA_T474_H2,7	Top Assembly
<b>8611521066</b>	E40DA_T274_1,8	Top Assembly
<b>8611521071</b>	E40DA_T274_H1,8	Top Assembly
<b>8611521074</b>	E40DA_T272G_1,8	Top Assembly
<b>8611521075</b>	E40DA_T272_H1,8	Top Assembly
<b>8611521092</b>	E40DA_T272_1,1	Top Assembly



### Ecco 41FA Ceramic Conventional

Part no.	Description
<b>E 41FA XX TXXX</b>	Ecco 41FA Pressure, Conventional, with ST ST tip & air cap
<b>E 41FA HXX TXXX</b>	Ecco 41FA Pressure, Conventional, with TC tip & air cap

Part no.	Pat number description	Product
<b>8611534113</b>	ECCO 41FA H1.3 T274	Spare Parts
<b>8611534114</b>	ECCO 41FA G1,4 T272	Spare Parts
<b>8611534115</b>	ECCO 41FA G1.4 T278	Spare Parts
<b>8611534118</b>	ECCO 41FA H1.8 T274	Spare Parts
<b>8611534127</b>	ECCO 41FA H2.7 T474	Spare Parts
<b>8611534132</b>	ECCO 41FA 1.3 T260 SS	Spare Parts
<b>8611534133</b>	ECCO 41FA 1.8 T260 SS	Spare Parts
<b>8611534145</b>	ECCO 41FA 1,8 T278	Spare Parts



### 460 Conventional

Part no.	Description
<b>103027</b>	460 Automatic gun, Conventional

Atomisation Type =  Conventional  HVLP  Trans-Tech

#### Air Cap Selection Table

Part no.	Tip Ø in mm			
	0.5	0.75	1.0	1.5
<b>200831 J92S</b>			•	
<b>200833 J92P</b>	•	•	•	
<b>200834 J92R</b>		•	•	
<b>200838 K92P</b>		•		•

#### Tip and needle selection table

Part no.	Part no. Stainless steel	
0.5 mm	Tip	200360
	Needle	180086-K
0.75 mm	Tip	200361
	Needle	180086-K
1.0 mm	Tip	200362
	Needle	180086-K
1.5 mm	Tip	200363
	Needle	180087

### 550 Airless



**Part no.**

**6700-0000-5** 550 Airless automatic gun, (please order tip separately - refer to table below)

**Standard Tip Selection Table**

Fan width - inches	6-8"	8-10"	10-12"	12-14"	14-16"	16-18"	18-20"
Orifice - inches	Part no.						
.011	-	9-1170	9-1180	-	-	-	-
.013	-	-	9-1360	9-1380	-	-	-
.015	-	9-1550	9-1560	-	9-1590	-	-
.018	-	-	9-1840	9-1860	-	9-1890	-
.021	-	-	9-2140	-	-	9-2180	9-2190
.023	-	-	9-2340	-	-	-	-
.026	-	-	-	9-2650	-	-	-
.031	9-3120	-	-	9-3140	-	-	9-3180
.036	9-3620	-	-	9-3640	-	9-3660	9-3680
.043	-	-	-	9-4340	-	-	9-4380
.062	-	9-6230	-	-	-	-	-

**Twist tip II selection table**

Fan width - inches	6"	8"	10"	12"
Orifice - inches	Part no. 454-...			
.	309	-	-	-
.011	311	-	-	-
.013	313	413	513	-
.015	315	415	515	615
.017	-	417	517	617
.019	-	419	519	619
.021	-	-	521	621
.023	-	-	523	-
.035	-	-	535	-
.051	-	-	551	-

### Trophy Air Assisted Airless



**Part no.**

<b>4400-H10000</b>	Trophy AA4400 with AA10 HVLP air cap, without flat tip*
<b>4400-H20000</b>	Trophy AA4400 with AA10+ HVLP air cap, without flat tip*
<b>4400-HF0000</b>	Trophy AA4400 with 9X-H+ HVLP air cap, without flat tip*
<b>4400-LF0000</b>	Trophy AA4400 with 9X-L LVMP air cap, without flat tip*
<b>4400-HT0000</b>	Trophy AA4400 with 54-5924-K Twist Tip cleaner & HVLP air cap, no tip*
<b>4400-LT0000</b>	Trophy AA4400 with 54-5924-K Twist Tip cleaner & LVMP air cap, no tip*
<b>TAA4400-AA10-75-SF</b>	Trophy AA4400 with AA10 HVLP air cap, tip and 7.5m SuperFlex Air/Fluid Hose
<b>TAA4400-75T-SF</b>	Trophy AA4400 with AA10 HVLP air cap, tip, Twist Tip cleaner and 7.5m SuperFlex Air/Fluid Hose

\*Please order tip separately - refer to selection table below.

Atomisation Type =   Conventional   HVLP   Trans-Tech   LVMP

**Standard Flat Tips Selection Table**

Size - inches (mm)	.007(0.18)	.009(0.23)	.011(0.28)	.013(0.33)	.015(0.38)	.017(0.43)	.018 (0.46)	.019(0.48)	.021(0.53)	.024(0.61)	.027(0.69)
Fan width	Part no. RS-....										
2" 50 mm	0702	0902									
4" 100 mm	0704	0904	1104	1304							
6" 150 mm	0706	0906	1106	1306	1506	1706		1906			
8" 200 mm	0708	0908	1108	1308	1508	1708		1908			
10" 250 mm		0910	1110	1310	1510	1710		1910	2110	2410	2710
12" 300 mm		0912	1112	1312	1512	1712		1912	2112	2412	2712
14" 350 mm			1114	1314	1514	1714		1914	2114	2414	2714
16" 400 mm				1316	1516	1716	1816	1916	2116	2416	2716
18" 450 mm					1518	1718		1918	2118	2418	2718

**Fine Finish Flat Tips Selection Table**

Orifice - inches/mm	.009(0.23)	.011(0.28)	.013(0.33)	.015(0.38)	.017(0.43)
Fan width - inches/mm	Part no. RS-XXXX-F				
9"/225mm	0909	1109	1309	1509	1709
11"/279mm	0911	1111	1311	1511	1711
13"/330mm		1113	1313	1513	1713
15"/381mm		1115	1315	1515	1715
17"/432mm				1517	1717

**Twist Tips Selection Table**

Orifice - inches/mm	.007 (0.18)	.009 (0.23)	.011 (0.28)	.013 (0.33)	.015 (0.38)	.017 (0.43)	.019 (0.48)	.021 (0.53)	.023 (0.58)	.025 (0.64)	.027 (0.69)	.031 (0.79)	.035 (0.89)
Fan width - inches/mm	Part no. 9-XXX-75												
4"/100mm			211	213	215	217							
6"/152mm	307	309	311	313	315	317							
8"/203mm		409	411	413	415	417	419	421					435
10"/254mm		509	511	513	515	517	519	521	523	525			
12"/305mm			611	613	615	617	619	621	623	625	627	631	635
14"/350mm				713	715	717							

**Trophy AA4400 Recommended Spares & Accessories**



**54-5937**  
Air Valve & Fluid Needle Assembly for Trophy AA4400



**54-6131-K**  
Spindle Seal & Seal Kit for Trophy AA4400



**54-1835**  
Disk filter 100 mesh for Trophy AA4400



**54-5924-K**  
Twist Tip HVLV air cap for Trophy AA4400



**54-5799-K**  
Fluid seat (Tungsten Carbide) for Trophy AA4400



**54-5890-K**  
Flat Tip HVLV Air cap AA-10 for Trophy AA4400



**72-2360**  
Swivel Adaptor 1/4" M x 1/4" F for Trophy AA4400



**54-6030-K**  
AA10 + Air Cap Assembly HVLV for Trophy AA4400



**H-7507-75**  
7.5m Hose Assembly for Trophy AA4400



**H-7507-75-SF**  
7.5m Hose Assembly for Trophy AA4400



**TAA4400-AA10-75**  
Trophy Gun and 7.5m hose package supplied as standard with MXL12/12 & 12/31 pump packages



**TAA4400-75T**  
Trophy AA4400 Gun and 7.5m hose package including twist tip cleaner



**TAA4400-AA10-75-SF**  
Trophy AA4400 Gun and 7.5m SuperFlex hose package supplied as standard with MXL4/12 and 4/32 pump packages



**TAA4400-75T-SF**  
Trophy AA4400 Gun and 7.5m SuperFlex hose package including twist tip cleaner



**Removable Seals**

Part No.	Description
RS-5000-K5	RS-Series Carbide Tip Seal Kit (5)
RS-5000-K10	RS-Series Carbide Tip Seal Kit (10)
RS-5858-K5	RS Fine Finish Pre-Orifice Seal .009" (5)
RS-5859-K5	RS Fine Finish Pre-Orifice Seal .011" (5)
RS-5860-K5	RS Fine Finish Pre-Orifice Seal .013" (5)
RS-5861-K5	RS Fine Finish Pre-Orifice Seal .015" (5)
RS-5862-K5	RS Fine Finish Pre-Orifice Seal .017" (5)



### AA4400M Air Assisted Airless

Part no.	
<b>0909-4400-100000</b>	AA4400M with AA10 HVLP air cap, without flat tip*
<b>0909-4400-HF0000</b>	AA4400M with 54-5878 HVLP air cap, without flat tip*
<b>0909-4400-LF0000</b>	AA4400M with 54-5797 Trans-Tech air cap, without flat tip*
<b>0909-4400-HT0000</b>	AA4400M with 54-5924-K Twist Tip cleaner & HVLP air cap, no tip*
<b>0909-4400-LT0000</b>	AA4400M with 54-5925-K Twist Tip cleaner & Trans-Tech air cap, no tip*
<b>AA4400M-AA10-75-SF</b>	AA4400M with AA10 HVLP air cap, tip and 7.5m SuperFlex Air/Fluid Hose
<b>AA4400M-75T-SF</b>	AA4400M with AA10 HVLP air cap, tip, Twist Tip cleaner and 7.5m SuperFlex Air/Fluid Hose

Atomisation Type =  Conventional  HVLP  Trans-Tech

\*Please order tip separately - refer to selection table below.

#### Premium Flat Tips Selection Table

Size - inches (mm)	.007(0.18)	.009(0.23)	.011(0.28)	.013(0.33)	.015(0.38)	.017(0.43)	.019(0.48)	.021(0.53)	.024(0.61)	.027(0.69)
<b>Fan width</b>	<b>Part no. 114-.....</b>									
1-2" 25-50 mm		00902								
2-4" 50-100 mm	00704		01104	01304						
4-6" 100-150 mm	00706	00906	01106	01306	01506	01706	01906			
6-8" 150-200 mm	00708	00908	01108	01308	01508	01708	01908			
8-10" 200-250 mm		00910	01110	01310	01510	01710	01910	02110	02410	02710
10-12" 250-300 mm		00912	01112	01312	01512	01712	01912	02112	02412	02712
12-14" 300-350 mm			01114	01314	01514	01714	01914	02114	02414	02714
14-16" 350-400 mm				01316	01516	01716	01916	02116	02416	02716
16-18" 400-450 mm					01518	01718	01918	02118	02418	02718

#### Fine Finish Flat Tips Selection Table

Orifice - inches/mm	.009(0.23)	.011(0.28)	.013(0.33)	.015(0.38)	.017(0.43)
<b>Fan width - inches/mm</b>	<b>Part no. 9-XXXX-F</b>				
9" /229mm	0909	1109	1309	1509	1709
11" /279mm	0911	1111	1311	1511	1711
13" /330mm		1113	1313	1513	1713
15" /381mm		1115	1315	1515	1715
17" /432mm				1517	1717

#### Twist Tips Selection Table

Orifice - inches/mm	.007 (0.18)	.009 (0.23)	.011 (0.28)	.013 (0.33)	.015 (0.38)	.017 (0.43)	.019 (0.48)	.021 (0.53)	.023 (0.58)	.025 (0.64)	.027 (0.69)	.031 (0.79)	.035 (0.89)
<b>Fan width - inches/mm</b>	<b>Part no. 9-XXX-75</b>												
6" /152mm	307	309	311		315								
8" /203mm		409	411	413	415		419						435
10" /254mm		509	511	513	515	517	519	521	523	525			
12" /305mm			611	613	615	617	619	621	623	625	627	631	635
14" /350mm				713	715	717							

**AA4400M Recommended Spares & Accessories**



**SN-402-K**  
Air Valve Assembly for AA4400M



**54-5826**  
Fluid Needle Assembly for AA4400M



**54-1835**  
Disk filter 100 mesh for AA4400M



**54-5924-K**  
Twist Tip HVLP air cap for AA4400M



**54-5799-K**  
Fluid seat (Tungsten Carbide) for AA4400M



**54-5890-K**  
Flat Tip HVLP Air cap AA-10 for AA4400M



**72-2332**  
Swivel Adaptor 1/4" M x 1/4" F for AA4400M



**114-0110**  
.011" premium flat tip for AA4400M



**SPK-122**  
Twist Tip Conversion Kit for AA4400M



**H-7507-75**  
7.5m Hose Assembly for AA4400M



**AA4400M-AA10-75**  
AA4400M Gun and 7.5m hose package supplied as standard with MXL12/12 & 12/31 pump packages



**AA4400M-75T**  
AA4400M Gun and 7.5m hose package including twist tip cleaner



**H-7507-75-SF**  
7.5m SuperFlex Hose Assembly for AA4400M



**AA4400M-AA10-75-SF**  
AA4400M Gun and 7.5m SuperFlex hose package supplied as standard with MXL4/12 and 4/32 pump packages



**AA4400M-75T-SF**  
AA4400M Gun and 7.5m SuperFlex hose package including twist tip cleaner



**AG-363 Automatic Air Assisted Airless**

**Part no.**

**AG363U-AA10-S** AG-363 Automatic gun, head recirculation and quick release screw manifold, HVLP, with air cap AA10HP, without tip\*

**AG363-AA10-T** AG-363 Automatic gun, quick release screw manifold with base recirculation, HVLP, with air cap AA10HP, without tip\*

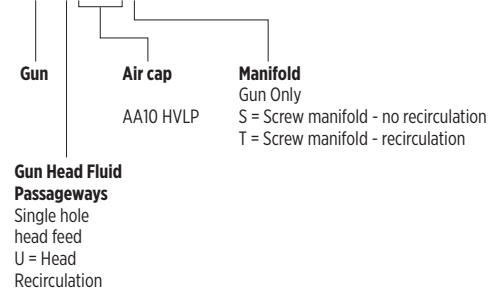
\*Please order tip separately - refer to selection table below. Atomisation Type =  Conventional  HVLP  Trans-Tech

**Premium Flat Tips Selection Table**

Size - inches(mm)	.007(0.18)	.009(0.23)	.011(0.28)	.013(0.33)	.015(0.38)	.017(0.43)	.019(0.48)	.021(0.53)	.024(0.61)	.027(0.69)
Fan width	Part no. 114-.....									
1-2" 25-50 mm		00902								
2-4" 50-100 mm	00704		01104	01304						
4-6" 100-150 mm	00706	00906	01106	01306	01506	01706	01906			
6-8" 150-200 mm	00708	00908	01108	01308	01508	01708	01908			
8-10" 200-250 mm		00910	01110	01310	01510	01710	01910	02110	02410	02710
10-12" 250-300 mm		00912	01112	01312	01512	01712	01912	02112	02412	02712
12-14" 300-350 mm			01114	01314	01514	01714	01914	02114	02414	02714
14-16" 350-400 mm				01316	01516	01716	01916	02116	02416	02716
16-18" 400-450 mm					01518	01718	01918	02118	02418	02718

**Ordering example:**

**AG363U-AA10-S**



Variations of the AG363 are available with the following modifications

- Gun Head Fluid Passageway
- Single hole head feed
- U = Head recirculation
- Manifold Type
- Gun only
- S = Screw manifold - no recirculation
- T = Screw manifold - recirculation

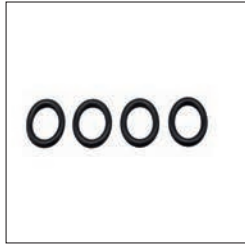
Please refer to the service bulletin for the part numbers for these combinations.



**AG-363 Recommended Spares & Accessories**



**54-5890-K**  
AA10 Air cap for AG-363



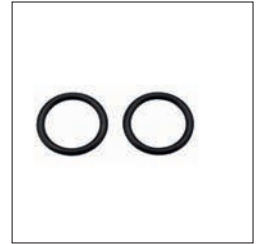
**SPA-29X-K4**  
Viton Extreme O-rings x 4 for AG-363 - Ref 17



**SPA-414-K**  
Control Valve for AG-363 - Ref 33



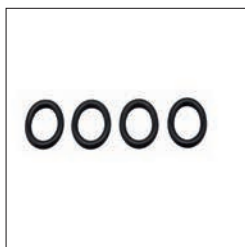
**SPA-79**  
Fluid Needle Assembly for AG-363 - Ref 25



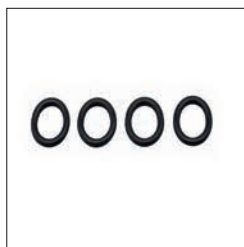
**S-28220X-K2**  
Viton Extreme O-rings x 2 for AG-363 - Ref 16



**SPA-69-K**  
Seat Assembly for AG363 - Ref 5



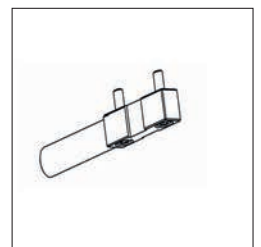
**S-28219X-K4**  
Viton Extreme O-rings x 4 for AG-363 - Ref 14



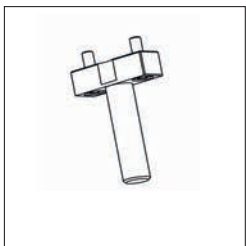
**S-28223X-K4**  
Viton Extreme O-rings x 4 for AG-363 - Ref 19



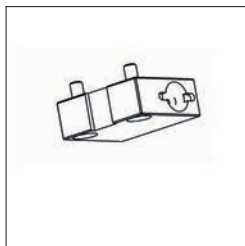
**SPA-111-K2**  
Manual Air Valve Plugs for AG-363 - Replaces Ref 33



**SPA-173-K**  
Horizontal mounting bar and screws for AG-363



**SPA-174-K**  
Vertical mounting bar and screws for AG-363



**SPA-175-K**  
Mounting block and screws for AG-363



**SPA-176-K**  
Index adjustment and screws for AG-363



## AG-364 Airless

Part no.	
<b>AG364-0000-S</b>	AG-364 Automatic gun, with quick release screw manifold, non-recirculation, without tip*
<b>AG364-0000-T</b>	AG-364 Automatic gun, with quick release screw manifold with base recirculation, without tip*
<b>AG364-BOOTH-K</b>	AG-364 Booth Conversion Kit (see below for kit contents)

\*Please order tip separately - refer to selection table below.

Atomisation Type =  Conventional  HVLP  Trans-Tech  LVMP

### Standard Flat Tips Selection Table

Size - inches (mm)	.007(0.18)	.009(0.23)	.011(0.28)	.013(0.33)	.015(0.38)	.017(0.43)	.018 (0.46)	.019(0.48)	.021(0.53)	.024(0.61)	.027(0.69)
<b>Fan width</b>	<b>Part no. RS-....</b>										
2" 50 mm	0702	0902									
4" 100 mm	0704	0904	1104	1304							
6" 150 mm	0706	0906	1106	1306	1506	1706		1906			
8" 200 mm	0708	0908	1108	1308	1508	1708		1908			
10" 250 mm		0910	1110	1310	1510	1710		1910	2110	2410	2710
12" 300 mm		0912	1112	1312	1512	1712		1912	2112	2412	2712
14" 350 mm			1114	1314	1514	1714		1914	2114	2414	2714
16" 400 mm				1316	1516	1716	1816	1916	2116	2416	2716
18" 450 mm					1518	1718		1918	2118	2418	2718

### Fine Finish Flat Tips Selection Table

Orifice - inches/mm	.009(0.23)	.011(0.28)	.013(0.33)	.015(0.38)	.017(0.43)
<b>Fan width - inches/ mm</b>	<b>Part no. RS-XXXX-F</b>				
9"/225mm	0909	1109	1309	1509	1709
11"/279mm	0911	1111	1311	1511	1711
13"/330mm		1113	1313	1513	1713
15"/381mm		1115	1315	1515	1715
17"/432mm				1517	1717

### AG-364 Booth Conversion Kit

Part Number	Description	Quantity
AG364-0000-S	AG-364 Automatic Gun	4
RS-1517-F	RS Fine Finish Tip .015 X 17"	4
RS-5861-K5	RS Fine Finish Pre-Orifice Seal (.017") (5 Pack)	1
SPA-115	1/4" NPT-NPS Elbow 275 bar MWP.	4
107-1439	SS #4 J.I.C. (m) x 1/4" NPT(m)	4
DSG-4003	Airless Tip Cleaners (Kit of 12)	1
KK-4584	Spray Gun Cleaning Kit	1

### Ordering example:

AG364-0000-S

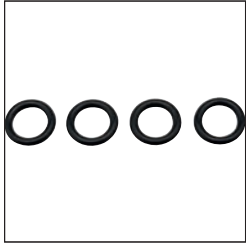
Gun

Manifold

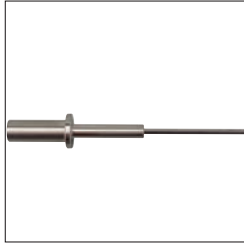
S = Screw manifold - no recirculation

T = Screw manifold - recirculation

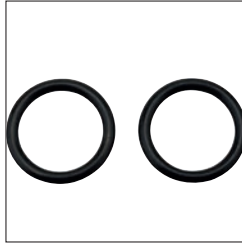
## AG-364 Recommended Spares & Accessories



**SPA-29X-K4**  
Viton Extreme O-rings x 4 for AG-364 - Ref 26



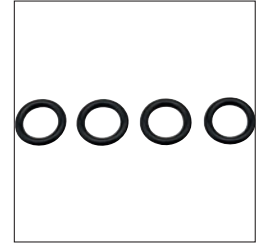
**SPA-79**  
Fluid Needle Assembly for AG-364 - Ref 14



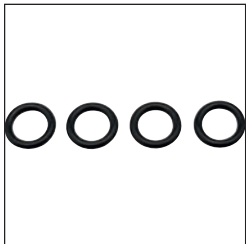
**S-28220X-K2**  
Viton Extreme O-rings x 2 for AG-364 - Ref 11



**SPA-69-K**  
Seat Assembly for AG363 - Ref 5



**S-28219X-K4**  
Viton Extreme O-rings x 4 for AG-364 - Ref 9



**S-28223X-K4**  
Viton Extreme O-rings x 4 for AG-364 - Ref 24



**SPA-173-K**  
Horizontal mounting bar and screws for AG-364



**SPA-174-K**  
Vertical mounting bar and screws for AG-364



**SPA-175-K**  
Mounting block and screws for AG-364



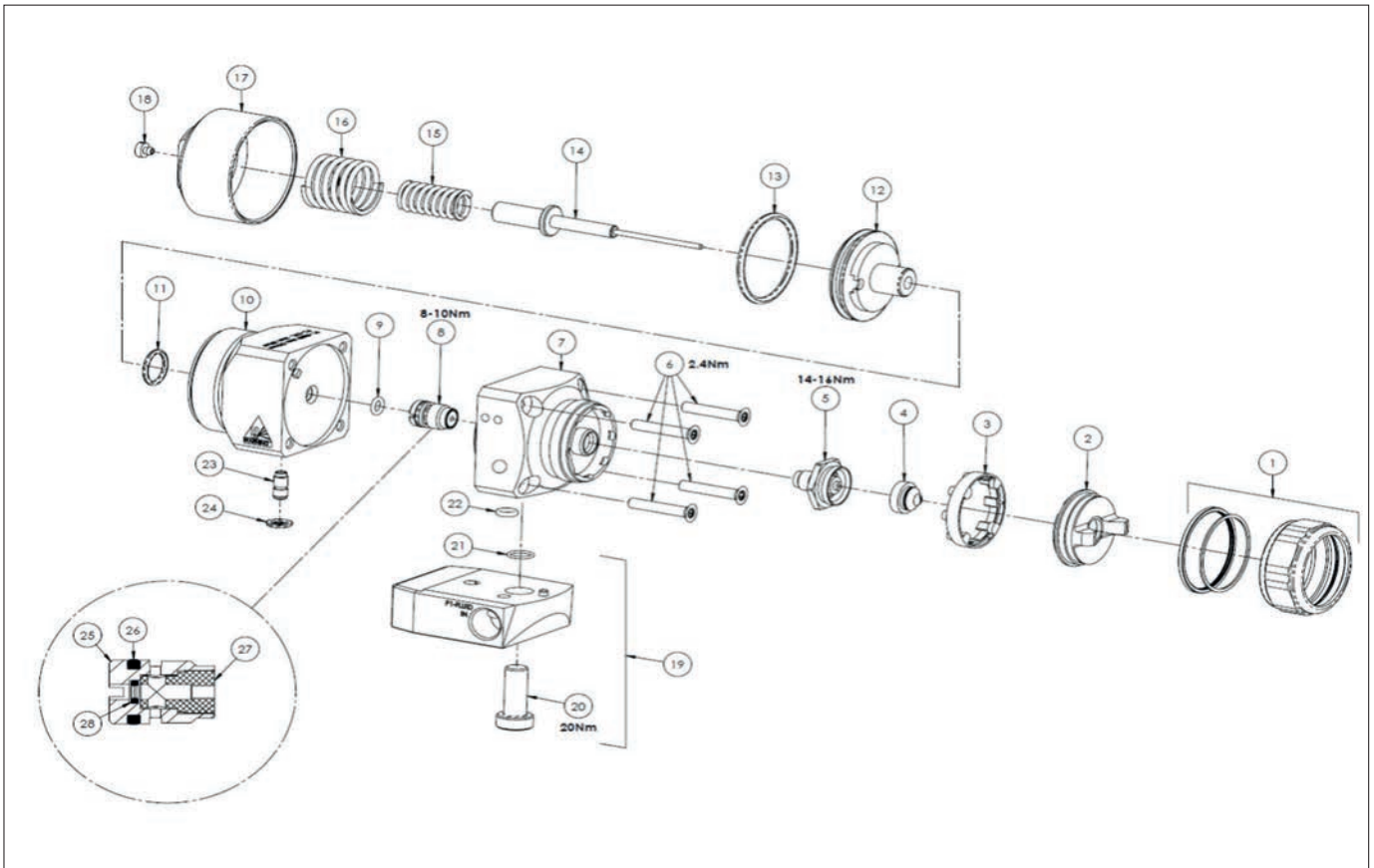
**SPA-176-K**  
Index adjustment and screws for AG-364



### Removable Seals

Part No.	Description
<b>RS-5000-K5</b>	RS-Series Carbide Tip Seal Kit (5)
<b>RS-5000-K10</b>	RS-Series Carbide Tip Seal Kit (10)
<b>RS-5858-K5</b>	RS Fine Finish Pre-Orifice Seal .009" (5)
<b>RS-5859-K5</b>	RS Fine Finish Pre-Orifice Seal .011" (5)
<b>RS-5860-K5</b>	RS Fine Finish Pre-Orifice Seal .013" (5)
<b>RS-5861-K5</b>	RS Fine Finish Pre-Orifice Seal .015" (5)
<b>RS-5862-K5</b>	RS Fine Finish Pre-Orifice Seal .017" (5)

AG-364 Airless



Spare Parts

Ref.	Part no.	Description
1 #	<b>54-6029-K</b>	Retaining Ring With Seals
2 #	<b>54-6031-K</b>	Tip Holder
3	<b>SPA-70-K10</b>	Index Plate (Kit Of 10)
4	<b>See Table</b>	Fluid Tip
5 #	<b>SPA-69-K</b>	Needle Seat Assy
6	<b>S-14190-K4</b>	Torx Screw (Kit Of 4)
7	<b>SPA-190-K</b>	Spray head
8 *#	<b>SPA-76-K</b>	Needle Packing
9 *	<b>S-28219X-K4</b>	O Ring (Kit Of 4)
10	<b>SPA-191-K</b>	Body
11*	<b>S-28220X-K2</b>	O Ring (Kit Of 2)
12 #	<b>SPA-68-K</b>	Piston
13 *#	<b>SPA-45X-K2</b>	O Ring (Kit Of 2)
14	<b>SPA-79</b>	Fluid Needle
15 #	<b>SPA-77</b>	Needle Spring
16 #	<b>SPA-13</b>	Piston Spring
17	<b>SPA-67-BL-K</b>	End Cap
18	<b>SPA-54</b>	Vent Cap
19	<b>SPA-428-K</b>	Screw Manifold Assembly
	<b>SPA-428U-K</b>	Recirculation Screw Manifold Assembly
20 #	<b>SPA-161-K2</b>	Clamping Screw (Kit Of 2)
21 #		O-Ring (Part of SPA-161-K2)
22 *	<b>SN-71X-K2</b>	O Ring
23 #	<b>SPA-52</b>	Air Tube
24	<b>S-28223X-K4</b>	O Ring (Kit Of 4)
25		Housing
26	<b>SPA-29X-K4</b>	O Ring (Kit Of 4)

Ref.	Part no.	Description
27	<b>SPA-96-K4</b>	Seal
28	<b>SPA-46X-K4</b>	O Ring (Kit Of 4)
	<b>KK-4588</b>	Soft Seal Service Kit - includes items marked *
	<b>KK-4589</b>	Major Overhaul Service Kit - Includes items marked #



### A75 Airless

Part no.	
<b>0811-7500-1</b>	A75 Airless gun with tip guard, and external st st tube without tip*
<b>0811-7500-2</b>	A75 Airless gun with tip guard, and direct connect without tip*
<b>0811-7500-3</b>	A75 Airless gun with tip guard, and direct connect without tip* - large passage version
<b>0811-7500-4</b>	A75M Airless gun with tip guard, and direct connect without tip* - for thicker coatings

\*Please order tip separately - refer to selection table below.

#### Twist Tip selection table

Fan width - inches/mm	4" 100mm	6" 152mm	8" 203mm	10" 254mm	12" 305mm	14" 350mm
<b>Orifice - inches</b>	<b>Part no. 9-XXX-75</b>					
.007(0.18)	-	307	-	-	-	-
.009(0.23)	-	309	409	509	-	-
.011(0.28)	211	311	411	511	611	-
.013(0.33)	213	-	413	513	613	713
.015(0.38)	215	315	415	515	615	715
.017(0.43)	217	317	-	517	617	717
.019(0.48)	-	-	419	519	619	-
.021(0.53)	-	-	421	521	621	-
.023(0.58)	-	-	-	523	623	-
.025(0.64)	-	-	-	525	-	-
.027(0.69)	-	-	-	-	627	-
.031(0.79)	-	-	-	-	631	-
.035(0.89)	-	-	435	-	635	-

#### A75 Recommended Spares & Accessories



**72-2332**  
Swivel Adaptor  
1/4" M x 1/4" F for A75



**54-7512**  
Needle Assembly for A75



**1108-75B**  
7500 psi Twist Tip Guard for A75



**54-7511-K**  
Diffuser Nut Kit for A75



**A75-1-75**  
A75 Gun (0811 7500-1)  
with 7.5m hose and twist tip



**A75-2-75**  
A75 Gun (0811 7500-2)  
with 7.5m hose and twist tip



**A75-3M-75**  
A75 Gun (0811 7500-3)  
with 7.5m hose and twist tip



## F200/F400 Flow Gun

Part no.	Material Fluid Passageways	Max Fluid Pressure	Fluid Inlet Size	I/Z Swivel*	Fluid Nozzle
<b>FG121100</b>	Anodised Alu.	276 Bar/4000 PSI	1/4" Uni.	-	3/8" BSP
<b>FG121200</b>	Anodised Alu.	276 Bar/4000 PSI	1/4" Uni.	I	3/8" BSP
<b>FG121300</b>	Anodised Alu.	276 Bar/4000 PSI	1/4" Uni.	Z	3/8" BSP
<b>FG122100</b>	Anodised Alu.	276 Bar/4000 PSI	1/4" Uni.	-	3/4" UNF
<b>FG122200</b>	Anodised Alu.	276 Bar/4000 PSI	1/4" Uni.	I	3/4" UNF
<b>FG122300</b>	Anodised Alu.	276 Bar/4000 PSI	1/4" Uni.	Z	3/4" UNF
<b>FG123100</b>	Anodised Alu.	276 Bar/4000 PSI	1/4" Uni.	-	M18 x 1.5
<b>FG123200</b>	Anodised Alu.	276 Bar/4000 PSI	1/4" Uni.	I	M18 x 1.5
<b>FG123300</b>	Anodised Alu.	276 Bar/4000 PSI	1/4" Uni.	Z	M18 x 1.5
<b>FG141100</b>	ST ST	414 Bar/6000 PSI	1/4" Uni.	-	3/8" BSP
<b>FG141200</b>	ST ST	414 Bar/6000 PSI	1/4" Uni.	I	3/8" BSP
<b>FG141300</b>	ST ST	414 Bar/6000 PSI	1/4" Uni.	Z	3/8" BSP
<b>FG142100</b>	ST ST	414 Bar/6000 PSI	1/4" Uni.	-	3/4" UNF
<b>FG142200</b>	ST ST	414 Bar/6000 PSI	1/4" Uni.	I	3/4" UNF
<b>FG142300</b>	ST ST	414 Bar/6000 PSI	1/4" Uni.	Z	3/4" UNF
<b>FG143100</b>	ST ST	414 Bar/6000 PSI	1/4" Uni.	-	M18 x 1.5
<b>FG143200</b>	ST ST	414 Bar/6000 PSI	1/4" Uni.	I	M18 x 1.5
<b>FG143300</b>	ST ST	414 Bar/6000 PSI	1/4" Uni.	Z	M18 x 1.5

\* I = In-line Swivel  
Z = Z Swivel



RansFlex RX LP 45kV

Part no.	
81345-X11100	RansFlex LP 45kV with air cap, tip, no air or fluid hose
81345-X11105	RansFlex LP 45kV with OD for air, air cap, tip, no air or fluid hose
81345-X11102	RansFlex LP 45kV with air cap, tip, 10m air hose, no fluid hose
81345-X11107	RansFlex LP 45kV with OD for air, air cap, tip, 10m air hose, no fluid hose
81345-X11112	RansFlex LP 45kV with air cap, tip, 10m air and fluid hose
81345-X11117	RansFlex LP 45kV with OD for air, air cap, tip, 10m air and fluid hose

RansFlex RFX LP 65kV

Part no.	
81365-X11100	RansFlex LP 65kV with air cap, tip, no air or fluid hose
81365-X11105	RansFlex LP 65kV with OD for air, air cap, tip, no air or fluid hose
81365-X11102	RansFlex LP 65kV with air cap, tip, 10m air hose, no fluid hose
81365-X11107	RansFlex LP 65kV with OD for air, air cap, tip, 10m air hose, no fluid hose
81365-X11112	RansFlex LP 65kV with air cap, tip, 10m air and fluid hose
81365-X11117	RansFlex LP 65kV with OD for air, air cap, tip, 10m air and fluid hose

Air cap Selection Table

Marking	Part No	0.7	1.0	1.2	1.4	1.8
C-31	80231-00			●	●	●
T-40	80240-00	●	●	●	●	●
V-65	80265-00	●	●	●	●	●

Fluid Tip Selection Table

Description	0.7	Colour	1.0	Colour	1.2	Colour	1.4	Colour	1.8	Colour
Tip - standard for C-31 Cap					80230-12	Red	80230-14	Grey	80230-18	Green
Tip - standard for T-40 Cap	80239-07 <sup>1</sup>	Black	80239-10 <sup>1</sup>	Black	80239-12	Red	80239-14	Grey	80239-18	Green
Tip - standard for V-65 Cap	80264-07 <sup>1</sup>	Black	80264-10 <sup>1</sup>	Black	80264-12	Red	80264-14	Grey	80264-18	Green
Tip - hardwearing for V-65 Cap							80464-14	Tan	80464-18	Tan

<sup>1</sup>Sold as Spare Part Only

Fluid Hose Assemblies

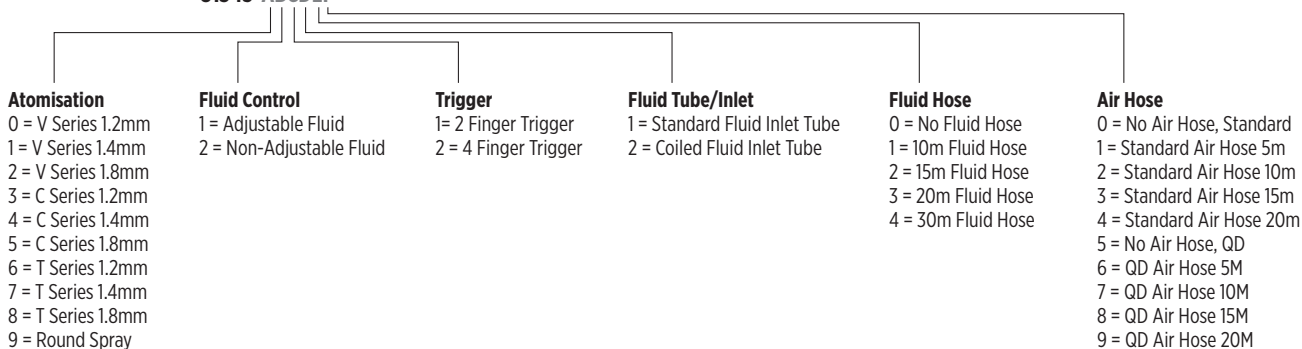
Part no.	Description
80303-05	Low Pressure Fluid hose - 5m
80303-10	Low Pressure Fluid hose - 10m
80303-15	Low Pressure Fluid hose - 15m
80303-20	Low Pressure Fluid hose - 20m
80303-30	Low Pressure Fluid hose - 30m

**Air Hose Assemblies**

Part no.	Description
80558-05	Low Pressure Super Flexible Air hose - 5m
80558-10	Low Pressure Super Flexible Air hose - 10m
80558-15	Low Pressure Super Flexible Air hose - 15m
80558-20	Low Pressure Super Flexible Air hose - 20m
80558-06	Low Pressure Air hose - 5m complete with QD fittings
80558-11	Low Pressure Air hose - 10m complete with QD fittings
80558-16	Low Pressure Air hose - 15m complete with QD fittings
80558-21	Low Pressure Air hose - 20m complete with QD fittings

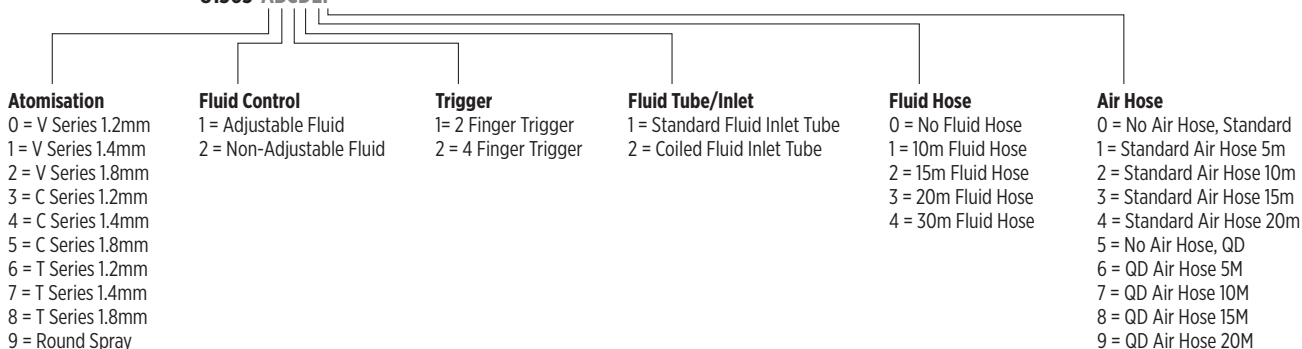
**RansFlex 45kV models available:**

**81345-ABCDEF**



**RansFlex 65kV models available:**

**81365-ABCDEF**



**RansFlex Recommended Spares & Accessories**



**70430-01**  
Hi-Flex Electrode for RansFlex



**80250-45**  
Cascade assembly for RansFlex 45kv



**80250-65**  
Cascade assembly for RansFlex 65kv



**80255-00**  
Turbine assembly for RansFlex



**79879-03**  
Coiled low resistance fluid tube for RansFlex 45kV



**80696-00**  
Handle gasket kit for RansFlex



**80353-00**  
Gun wrench for RansFlex



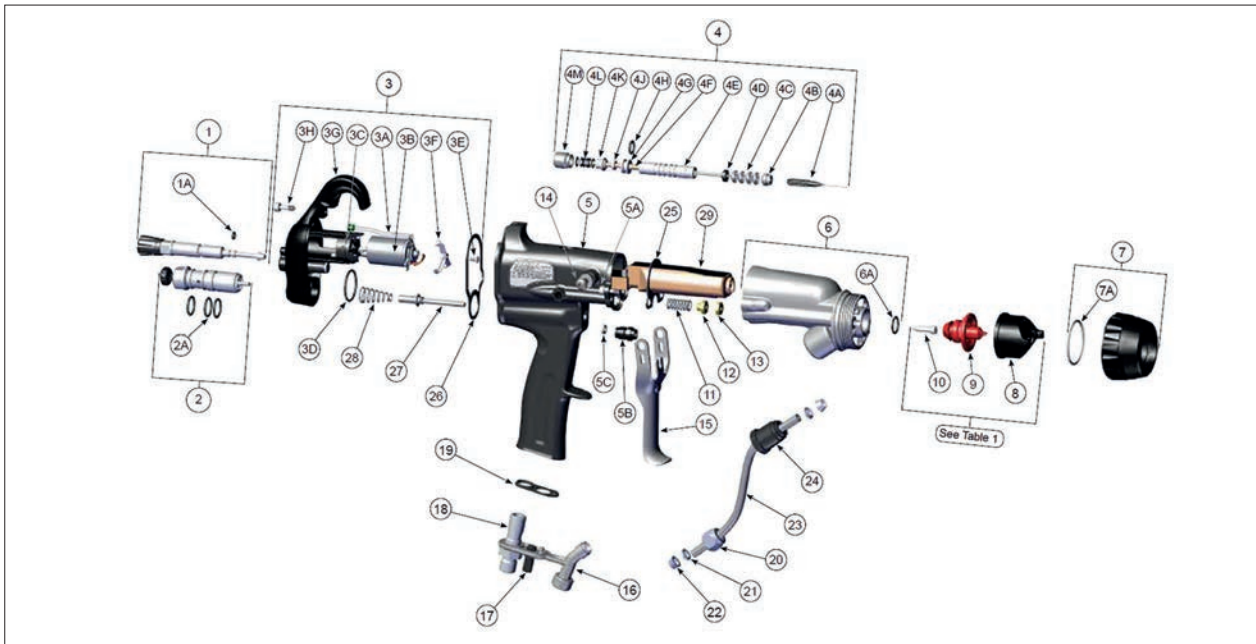
**11775-10**  
Protection hose 30mm grey for RansFlex



**11775-05**  
Protection hose 55mm grey for RansFlex



## RansFlex



### Spare Parts

Ref.	Part no.	Description
1	<b>80273-00</b>	Assembly, Fan Valve
1A	<b>79001-16</b>	O-ring, solvent-resistant
2	<b>80262-00</b>	Fluid Cartridge, Adjustable, Assembly
	<b>80262-01</b>	Fluid Cartridge, Non Adjustable Assembly
2A	<b>79001-08</b>	O-ring, solvent-resistant
3	<b>80378-00</b>	Rear Cover With Motor Assy
3A	<b>80213-00</b>	Light Pipe
3B	<b>80255-00</b>	Motor Assembly Inc Support & Screws
3C	<b>79775-00</b>	Mounting Block
3D	<b>7554-61</b>	O-ring
3E	<b>80275-00</b>	Screw
3F	<b>80219-00</b>	Bracket, Locking
3G	<b>80254-00</b>	Cover, Rear, Bare (Contains Screws)
3H	<b>80274-00</b>	Screw, Barrel-Handle
4	<b>80263-45</b>	Needle Shaft Assembly 45kv
	<b>80263-65</b>	Needle Shaft Assembly 65kv
4A	<b>70430-01</b>	Assembly Electrode, High Wear
	<b>70430-01-K3</b>	Assembly Electrode, High Wear x 3
4B	<b>80677-00</b>	Adaptor, Male
4C	<b>14323-00</b>	Seal, Chevron 3/8 Dia.
	<b>14323-00-K4</b>	Seal, Chevron 3/8 Dia. x 4
4D	<b>18821-00</b>	Adaptor, Female, Chevron
4E	<b>80257-45</b>	Tube, Packing RX (45kv)
	<b>80257-65</b>	Tube, Packing RX (65kv)
4F	<b>80225-45</b>	Needle Shaft Assembly RX (45kv)
	<b>80225-65</b>	Needle Shaft Assembly RX (45kv)
4G	<b>79001-06</b>	O-ring, Solvent Proof
4H	<b>78629-00</b>	Retainer, Needle Seal Rear
4J	<b>10051-05</b>	Cup Seal, Spring Loaded
4K	<b>78630-00</b>	Spacer, Seal
	<b>17390-04</b>	Washer, Spring, Belleville
4L	<b>17390-04-K6</b>	Washer, Spring, Belleville x 6
4M	<b>78631-00</b>	Nut, Packing
5	<b>80870-00</b>	Assembly, Handle

Ref.	Part no.	Description
5A	<b>80274-00</b>	Screw, Barrel-Handle
5B	<b>80229-00</b>	Nut, Retaining, Air Valve
5C	<b>10051-05</b>	Cup Seal, Spring Loaded
6	<b>80376-00</b>	Barrel & O-Ring Assy, RX 45kv
	<b>80379-00</b>	Barrel & O-Ring Assy, RFX 65kv
6A	<b>79001-07</b>	O-ring, solvent-resistant
7	<b>80377-00</b>	Nut, Retaining and O-ring Assembly
7A	<b>LSOR0005-17</b>	O-ring, Encapsulated
11	<b>80258-00</b>	Spring, Fluid Return
12	<b>80243-00</b>	Nut, Front Jam
13	<b>80242-00</b>	Nut, Rear Jam
14	<b>80268-00</b>	Screw, Trigger, Single
15	<b>80211-00</b>	2 Finger Metal Trigger
16	<b>80212-00</b>	Bracket, Fluid Machined
17	<b>80221-00</b>	Fitting, Exhaust
18	<b>80868-00</b>	Fitting, Air Inlet
	<b>80869-00</b>	QD Air Fitting
19	<b>80684-00</b>	Gasket, Exhaust
20	<b>EMF-201-04</b>	Nut, Hex, Nylon
21	<b>EMF-203-04</b>	Ferrule, Front 1/4 Tube
22	<b>EMF-202-04</b>	Ferrule, Back 1/4 Tube
23	<b>80269-45</b>	Fluid Inlet Tube 45kv
	<b>80269-65</b>	Fluid Inlet Tube 65kv
	<b>79879-03</b>	Coiled Fluid Inlet Fluid Tube
24	<b>80346-00</b>	Nut, Connector
25	<b>80745-00</b>	Gasket, Barrel
26	<b>80732-00</b>	Gasket, Rear
27	<b>80244-00</b>	Assembly, Valve, Air
28	<b>80533-00</b>	Spring, Air Valve
29	<b>80250-45</b>	Cascade Assembly, 45kv
	<b>80250-65</b>	Cascade Assembly, 65kv



## RansFlex RFXi LP 65kV

Part no.	
<b>81465-X11100</b>	RansFlex RFXi LP 65kV with TI-40 air cap, tip, no air or fluid hose
<b>81465-X11105</b>	RansFlex RFXi LP 65kV with QD for air, TI-40 air cap, tip, no air or fluid hose
<b>81465-X11102</b>	RansFlex RFXi LP 65kV with TI-40 air cap, tip, 10m air hose, no fluid hose
<b>81465-X11107</b>	RansFlex RFXi LP 65kV with QD for air, TI-40 air cap, tip, 10m air hose, no fluid hose
<b>81465-X11112</b>	RansFlex RFXi LP 65kV with TI-40 air cap, tip, 10m air and fluid hose
<b>81465-X11117</b>	RansFlex RFXi LP 65kV with QD for air, TI-40 air cap, tip, 10m air and fluid hose

### Air cap Selection Table

Marking	Part No	0.7	1.0	1.2	1.4	1.8
TI-40	80383-00	●	●	●	●	●

### Fluid Tip Selection Table

Description	0.7	Colour	1.0	Colour	1.2	Colour	1.4	Colour	1.8	Colour
Tip - standard for TI-40 Cap	80239-07	Black	80239-10	Black	80239-12	Red	80239-14	Grey	80239-18	Green

### Fluid Hose Assemblies

Part no.	Description
<b>80303-05</b>	Low Pressure Fluid hose - 5m
<b>80303-10</b>	Low Pressure Fluid hose - 10m
<b>80303-15</b>	Low Pressure Fluid hose - 15m
<b>80303-20</b>	Low Pressure Fluid hose - 20m
<b>80303-30</b>	Low Pressure Fluid hose - 30m

### Air Hose Assemblies

Part no.	Description
<b>80558-05</b>	Low Pressure Super Flexible Air hose - 5m
<b>80558-10</b>	Low Pressure Super Flexible Air hose - 10m
<b>80558-15</b>	Low Pressure Super Flexible Air hose - 15m
<b>80558-20</b>	Low Pressure Super Flexible Air hose - 20m
<b>80558-06</b>	Low Pressure Air hose - 5m complete with QD fittings
<b>80558-11</b>	Low Pressure Air hose - 10m complete with QD fittings
<b>80558-16</b>	Low Pressure Air hose - 15m complete with QD fittings
<b>80558-21</b>	Low Pressure Air hose - 20m complete with QD fittings

## RansFlex RFXi Recommended Spares & Accessories



**70430-01**  
Hi-Flex Electrode for RansFlex RFXi



**80250-65**  
Cascade assembly for RansFlex RFXi 65kv



**80255-00**  
Turbine assembly for RansFlex RFXi



**80696-00**  
Handle gasket kit for RansFlex RFXi



**80353-00**  
Gun wrench for RansFlex RFXi



**11775-10**  
Protection hose 30mm grey for RansFlex RFXi



**11775-05**  
Protection hose 55mm grey for RansFlex RFXi

## RansFlex RFXi 65kV models available:

**81465-ABCDEF**

### Atomisation

- 0 = T Series 1.2mm
- 1 = T Series 1.4mm
- 2 = T Series 1.8mm
- 3 = T Series 1.0mm
- 4 = T Series 0.7mm

### Fluid Control

- 1 = Adjustable Fluid
- 2 = Non-Adjustable Fluid

### Trigger

- 1 = 2 Finger Trigger
- 2 = 4 Finger Trigger

### Fluid Tube/Inlet

- 1 = Standard Fluid Inlet Tube

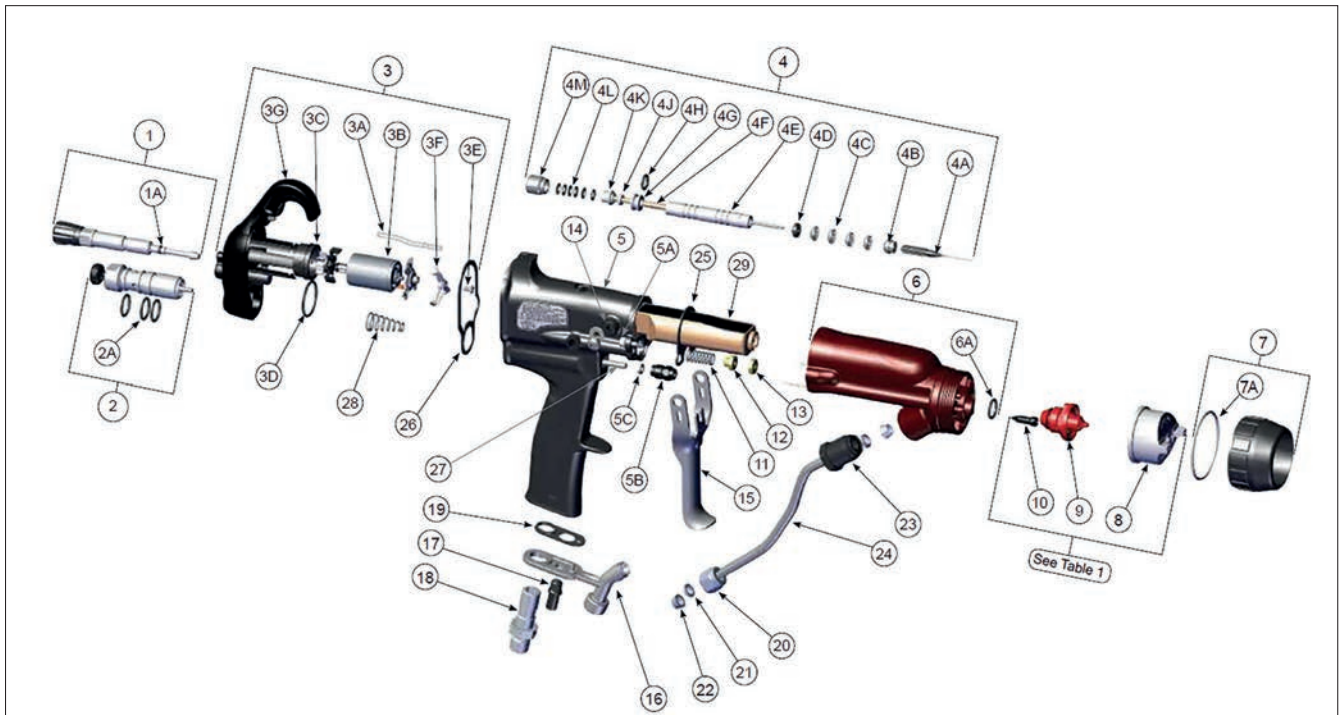
### Fluid Hose

- 0 = No Fluid Hose
- 1 = 10m Fluid Hose
- 2 = 15m Fluid Hose
- 3 = 20m Fluid Hose
- 4 = 30m Fluid Hose

### Air Hose

- 0 = No Air Hose, Standard
- 1 = Standard Air Hose 5m
- 2 = Standard Air Hose 10m
- 3 = Standard Air Hose 15m
- 4 = Standard Air Hose 20m
- 5 = No Air Hose, QD
- 6 = QD Air Hose 5M
- 7 = QD Air Hose 10M
- 8 = QD Air Hose 15M
- 9 = QD Air Hose 20M

RansFlex RFXi



Spare Parts

Ref.	Part no.	Description
1	<b>80273-00</b>	Assembly, Fan Valve
1A	<b>79001-16</b>	O-ring, solvent-resistant
2	<b>80262-00</b>	Fluid Cartridge, Adjustable, Assembly
	<b>80262-01</b>	Fluid Cartridge, Non Adjustable Assembly
2A	<b>79001-08</b>	O-ring, solvent-resistant
3	<b>80378-00</b>	Rear Cover With Motor Assy
3A	<b>80213-00</b>	Light Pipe
3B	<b>80255-00</b>	Motor Assembly Inc Support & Screws
3C	<b>79775-00</b>	Mounting Block
3D	<b>7554-61</b>	O-ring
3E	<b>80275-00</b>	Screw
3F	<b>80219-00</b>	Bracket, Locking
3G	<b>80254-00</b>	Cover, Rear, Bare (Contains Screws)
3H	<b>80274-00</b>	Screw, Barrel-Handle
4	<b>80263-65</b>	Needle Shaft Assembly 65kV
4A	<b>70430-01</b>	Assembly Electrode, High Wear
	<b>70430-01-K3</b>	Assembly Electrode, High Wear x 3
4B	<b>80677-00</b>	Adaptor, Male
4C	<b>14323-00</b>	Seal, Chevron 3/8 Dia.
	<b>14323-00-K4</b>	Seal, Chevron 3/8 Dia. x 4
4D	<b>18821-00</b>	Adaptor, Female, Chevron
4E	<b>80257-65</b>	Tube, Packing RFX (65kV)
4F	<b>80225-65</b>	Needle Shaft Assembly RFXi (65kV)
4G	<b>79001-06</b>	O-ring, Solvent Proof
4H	<b>78629-00</b>	Retainer, Needle Seal Rear
4J	<b>10051-05</b>	Cup Seal, Spring Loaded
4K	<b>78630-00</b>	Spacer, Seal
4L	<b>17390-04</b>	Washer, Spring, Belleville
	<b>17390-04-K6</b>	Washer, Spring, Belleville x 6
4M	<b>78631-00</b>	Nut, Packing
5	<b>80870-00</b>	Assembly, Handle

Ref.	Part no.	Description
5A	<b>80274-00</b>	Screw, Barrel-Handle
5B	<b>80229-00</b>	Nut, Retaining, Air Valve
5C	<b>10051-05</b>	Cup Seal, Spring Loaded
6	<b>80724-00</b>	Barrel & O-Ring Assy, RFXi 65kv
6A	<b>79001-07</b>	O-ring, solvent-resistant
7	<b>80532-00</b>	Nut, Retaining and O-ring Assembly
7A	<b>LSOR0005-17</b>	O-ring, Encapsulated
11	<b>80258-00</b>	Spring, Fluid Return
12	<b>80243-00</b>	Nut, Front Jam
13	<b>80242-00</b>	Nut, Rear Jam
14	<b>80268-00</b>	Screw, Trigger, Single
15	<b>80211-00</b>	2 Finger Metal Trigger
16	<b>80212-00</b>	Bracket, Fluid Machined
17	<b>80221-00</b>	Fitting, Exhaust
	<b>80868-00</b>	Fitting, Air Inlet
18	<b>80869-00</b>	QD Air Fitting
19	<b>80684-00</b>	Gasket, Exhaust
20	<b>EMF-201-04</b>	Nut, Hex, Nylon
21	<b>EMF-203-04</b>	Ferrule, Front 1/4 Tube
22	<b>EMF-202-04</b>	Ferrule, Back 1/4 Tube
23	<b>80346-00</b>	Nut, Connector
24	<b>80269-65</b>	Fluid Inlet Tube 65kv
	<b>79879-03</b>	Coiled Fluid Inlet Fluid Tube
25	<b>80745-00</b>	Gasket, Barrel
26	<b>80732-00</b>	Gasket, Rear
27	<b>80244-00</b>	Assembly, Valve, Air
28	<b>80533-00</b>	Spring, Air Valve
29	<b>80250-65</b>	Cascade Assembly, 65kv



## RansFlex RXQ Solvent Quick Fan Adjust LP 45kV

Part no.	
<b>81545-X11100</b>	RansFlex RXQ LP 45kV with air cap, tip, no air or fluid hose
<b>81545-X11105</b>	RansFlex RXQ LP 45kV with QD for air, air cap, tip, no air or fluid hose
<b>81545-X11102</b>	RansFlex RXQ LP 45kV with air cap, tip, 10m air hose, no fluid hose
<b>81545-X11107</b>	RansFlex RXQ LP 45kV with QD for air, air cap, tip, 10m air hose, no fluid hose
<b>81545-X11112</b>	RansFlex RXQ LP 45kV with air cap, tip, 10m air and fluid hose
<b>81545-X11117</b>	RansFlex RXQ LP 45kV with QD for air, air cap, tip, 10m air and fluid hose

## RansFlex RFXQ Solvent Quick Fan Adjust LP 65kV

Part no.	
<b>81565-X11100</b>	RansFlex RFXQ LP 65kV with air cap, tip, no air or fluid hose
<b>81565-X11105</b>	RansFlex RFXQ LP 65kV with QD for air, air cap, tip, no air or fluid hose
<b>81565-X11102</b>	RansFlex RFXQ LP 65kV with air cap, tip, 10m air hose, no fluid hose
<b>81565-X11107</b>	RansFlex RFXQ LP 65kV with QD for air, air cap, tip, 10m air hose, no fluid hose
<b>81565-X11112</b>	RansFlex RFXQ LP 65kV with air cap, tip, 10m air and fluid hose
<b>81565-X11117</b>	RansFlex RFXQ LP 65kV with QD for air, air cap, tip, 10m air and fluid hose

### Air cap Selection Table

Marking	Part No	0.7	1.0	1.2	1.4	1.8
<b>C-31</b>	<b>80231-00</b>			●	●	●
<b>T-40</b>	<b>80240-00</b>	●	●	●	●	●
<b>V-65</b>	<b>80265-00</b>	●	●	●	●	●

### Fluid Tip Selection Table

Description	0.7	Colour	1.0	Colour	1.2	Colour	1.4	Colour	1.8	Colour
<b>Tip - standard for C-31 Cap</b>					80230-12	Red	80230-14	Grey	80230-18	Green
<b>Tip - standard for T-40 Cap</b>	80239-07 <sup>1</sup>	Black	80239-10 <sup>1</sup>	Black	80239-12	Red	80239-14	Grey	80239-18	Green
<b>Tip - standard for V-65 Cap</b>	80264-07 <sup>1</sup>	Black	80264-10 <sup>1</sup>	Black	80264-12	Red	80264-14	Grey	80264-18	Green
<b>Tip - hardwearing for V-65 Cap</b>							80464-14	Tan	80464-18	Tan

<sup>1</sup>Sold as Spare Part Only

### Fluid Hose Assemblies

Part no.	Description
<b>80303-05</b>	Low Pressure Fluid hose - 5m
<b>80303-10</b>	Low Pressure Fluid hose - 10m
<b>80303-15</b>	Low Pressure Fluid hose - 15m
<b>80303-20</b>	Low Pressure Fluid hose - 20m
<b>80303-30</b>	Low Pressure Fluid hose - 30m

**Air Hose Assemblies**

Part no.	Description
80558-05	Low Pressure Super Flexible Air hose - 5m
80558-10	Low Pressure Super Flexible Air hose - 10m
80558-15	Low Pressure Super Flexible Air hose - 15m
80558-20	Low Pressure Super Flexible Air hose - 20m
80558-06	Low Pressure Air hose - 5m complete with QD fittings
80558-11	Low Pressure Air hose - 10m complete with QD fittings
80558-16	Low Pressure Air hose - 15m complete with QD fittings
80558-21	Low Pressure Air hose - 20m complete with QD fittings

**RansFlex RXQ & RFXQ Recommended Spares & Accessories**



**70430-01**  
Hi-Flex Electrode for RansFlex



**80250-45**  
Cascade assembly for RansFlex 45kv



**80250-65**  
Cascade assembly for RansFlex 65kv



**80255-00**  
Turbine assembly for RansFlex



**80353-00**  
Gun wrench for RansFlex



**11775-10**  
Protection hose 30mm grey for RansFlex



**11775-05**  
Protection hose 55mm grey for RansFlex

**RansFlex RXQ 45kV models available:**

**81545-ABCDEF**

**Atomisation**

- 0 = V Series 1.2mm
- 1 = V Series 1.4mm
- 2 = V Series 1.8mm
- 3 = C Series 1.2mm
- 4 = C Series 1.4mm
- 5 = C Series 1.8mm
- 6 = T Series 1.2mm
- 7 = T Series 1.4mm
- 8 = T Series 1.8mm
- 9 = Round Spray

**Fluid Control**

- 1 = Adjustable Fluid
- 2 = Non-Adjustable Fluid

**Trigger**

- 1 = 2 Finger Trigger
- 2 = 4 Finger Trigger
- 3 = 2 Finger Small Trigger

**Fluid Tube/Inlet**

- 1 = Standard Fluid Inlet Tube
- 2 = Coiled Fluid Inlet Tube

**Fluid Hose**

- 0 = No Fluid Hose
- 1 = 10m Fluid Hose
- 2 = 15m Fluid Hose
- 3 = 20m Fluid Hose
- 4 = 30m Fluid Hose

**Air Hose**

- 0 = No Air Hose, Standard
- 1 = Standard Air Hose 5m
- 2 = Standard Air Hose 10m
- 3 = Standard Air Hose 15m
- 4 = Standard Air Hose 20m
- 5 = No Air Hose, QD
- 6 = QD Air Hose 5M
- 7 = QD Air Hose 10M
- 8 = QD Air Hose 15M
- 9 = QD Air Hose 20M

**RansFlex RFXQ 65kV models available:**

**81565-ABCDEF**

**Atomisation**

- 0 = V Series 1.2mm
- 1 = V Series 1.4mm
- 2 = V Series 1.8mm
- 3 = C Series 1.2mm
- 4 = C Series 1.4mm
- 5 = C Series 1.8mm
- 6 = T Series 1.2mm
- 7 = T Series 1.4mm
- 8 = T Series 1.8mm
- 9 = Round Spray

**Fluid Control**

- 1 = Adjustable Fluid
- 2 = Non-Adjustable Fluid

**Trigger**

- 1 = 2 Finger Trigger
- 2 = 4 Finger Trigger
- 3 = 2 Finger Small Trigger

**Fluid Tube/Inlet**

- 1 = Standard Fluid Inlet Tube
- 2 = Coiled Fluid Inlet Tube

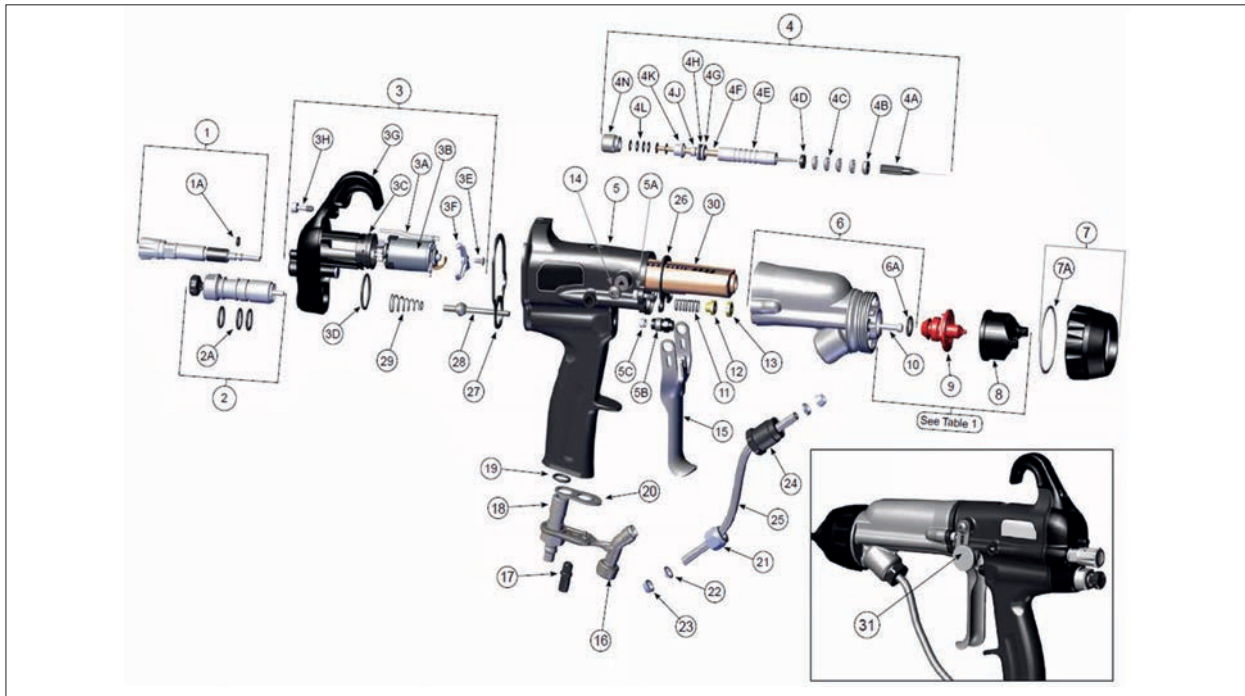
**Fluid Hose**

- 0 = No Fluid Hose
- 1 = 10m Fluid Hose
- 2 = 15m Fluid Hose
- 3 = 20m Fluid Hose
- 4 = 30m Fluid Hose

**Air Hose**

- 00 = No Air Hose, Standard
- 1 = Standard Air Hose 5m
- 2 = Standard Air Hose 10m
- 3 = Standard Air Hose 15m
- 4 = Standard Air Hose 20m
- 5 = No Air Hose, QD
- 6 = QD Air Hose 5M
- 7 = QD Air Hose 10M
- 8 = QD Air Hose 15M
- 9 = QD Air Hose 20M

## RansFlex RXQ/RFXQ



### Spare Parts

Ref.	Part no.	Description
1	<b>80555-00</b>	Assembly, Fan Valve
1a	<b>79001-16</b>	O-Ring, Solvent Proof
2	<b>80262-00</b>	Assembly, Fluid Cartridge
	<b>80262-01</b>	Assembly, Fluid Cartridge (Non-Adjustable)
2A	<b>79001-08</b>	O-Ring, Solvent Proof
3	<b>80378-00</b>	Cover,Rear Assembly
3A	<b>80213-00</b>	Pipe, Light
3B	<b>80255-00</b>	Assembly, Motor
3C	<b>79755-00</b>	Block, Porting
3D	<b>7554-61</b>	O-Ring, Solvent Resistant
3E	<b>80275-00</b>	Screw p.o.a
3F	<b>80219-00</b>	Bracket, Locking
3G	<b>80254-00</b>	Cover, Rear
3H	<b>80274-00</b>	Screw, Rear Cover
4	<b>80263-45</b>	Needle Shaft Assembly
	<b>80263-65</b>	Needle Shaft Assembly
4A	<b>70430-01</b>	Assembly Electrode, High Water
	<b>70430-01-K3</b>	Assembly Electrode, High Water (kit of 3)
4B	<b>80677-00</b>	Adapter, Male
4C	<b>14323-00</b>	Seal, Chevron, 3/8 Dia.
	<b>14323-00-K4</b>	Seal, Chevron. (Kit Of 4)
4D	<b>18821-00</b>	Adapter, Female, Chevron
4E	<b>80257-45</b>	Tube, Packing Rx (45kv)
4F	<b>80225-45</b>	Needle Shaft Assembly Rf (45kv)
	<b>80225-65</b>	Needle Shaft Assembly Rfx (65kv)
4G	<b>79001-06</b>	O-Ring, Solvent Proof
4H	<b>78629-00</b>	Retainer, Needle Seal, Rear
4J	<b>10051-05</b>	Cup Seal, Spring Loaded
4K	<b>78630-00</b>	Spacer, Seal
4L	<b>17390-04</b>	Washer, Spring, Belleville
	<b>17390-04-K6</b>	Washer, Spring, Belleville (Kit Of 6)
4M	<b>78631-00</b>	Nut, Packing
5	<b>80716-00</b>	Assembly, Handle Includes Motor Control Board And Harness

Ref.	Part no.	Description
5A	<b>80274-00</b>	Screw, Barrel-Handle
5B	<b>80229-00</b>	Nut, Retaining, Air Valve
5C	<b>10051-05</b>	Cup Seal, Spring Loaded
6	<b>80376-00</b>	Barrel (Includes O-Ring) Rx (45kv)
	<b>80379-00</b>	Barrel (Includes O-Ring) Rfx (65kv)
6A	<b>79001-07</b>	O-Ring, Solvent Proof (included with 6)
7	<b>80377-00</b>	Nut, Retaining & O-Ring Assembly
7A	<b>LSOR0005-17</b>	O-Ring, Encapsulated
11	<b>80258-00</b>	Spring, Fluid Return
12	<b>80243-00</b>	Nut, Front Jam
13	<b>80242-00</b>	Nut, Rear Jam
14	<b>80268-00</b>	Screw, Trigger
15	<b>80211-00</b>	Assembly, Trigger
16	<b>80212-00</b>	Bracket, Fluid
17	<b>80221-00</b>	Fitting, Exhaust
18	<b>80868-00</b>	Fitting, Air Inlet
	<b>80869-00</b>	QD Air Fitting
19	<b>80684-00</b>	Gasket, Exhaust, Combined
20	<b>EMF-201-04</b>	Nut, Hex, Nylon
21	<b>EMF-203-04</b>	Ferrule, Front 1/4"
22	<b>EMF-202-04</b>	Ferrule, Back 1/4"
23	<b>80269-45</b>	Standard Fluid Inlet Tube Rx (45kv)
	<b>80269-65</b>	Standard Fluid Inlet Tube Rfx (65kv)
	<b>79879-03</b>	Coiled Fluid Inlet Tube
24	<b>80346-00</b>	Nut Connector
25	<b>80745-00</b>	Gasket Barrel
26	<b>80732-00</b>	Gasket, Rear
27	<b>80244-00</b>	Assembly, Valve, Air
28	<b>80533-00</b>	Spring, Air Valve
29	<b>80250-65</b>	Assembly, Cascade Rfx (65kv)
	<b>80250-45</b>	Assembly, Cascade Rx (45kv)
30	<b>80550-00</b>	Assembly, Quick Fan



## RansFlex RFXW Waterbased Direct Charge LP 65kV

Part no.	
<b>81520-X11000</b>	RansFlex RFXW LP 65kV with air cap, tip, no air or fluid hose
<b>81520-X11005</b>	RansFlex RFXW LP 65kV with QD for air, air cap, tip, no air or fluid hose
<b>81520-X11002</b>	RansFlex RFXW LP 65kV with air cap, tip, 10m air hose, no fluid hose
<b>81520-X11007</b>	RansFlex RFXW LP 65kV with QD for air, air cap, tip, 10m air hose, no fluid hose
<b>81520-X11012</b>	RansFlex RFXW LP 65kV with air cap, tip, 10m air and 3/16" fluid hose
<b>81520-X11017</b>	RansFlex RFXW LP 65kV with QD for air, air cap, tip, 10m air and 3/16" fluid hose
<b>81520-X11032</b>	RansFlex RFXW LP 65kV with air cap, tip, 10m air and 1/4" fluid hose
<b>81520-X11037</b>	RansFlex RFXW LP 65kV with QD for air, air cap, tip, 10m air and 1/4" fluid hose

### Air cap Selection Table

Marking	Part No	0.7	1.0	1.2	1.4	1.8
<b>C-31</b>	<b>80231-00</b>			●	●	●
<b>T-40</b>	<b>80240-00</b>	●	●	●	●	●
<b>V-65</b>	<b>80265-00</b>	●	●	●	●	●

### Fluid Tip Selection Table

Description	0.7	Colour	1.0	Colour	1.2	Colour	1.4	Colour	1.8	Colour
<b>Tip - standard for C-31 Cap</b>					80230-12	Red	80230-14	Grey	80230-18	Green
<b>Tip - standard for T-40 Cap</b>	80239-07 <sup>1</sup>	Black	80239-10 <sup>1</sup>	Black	80239-12	Red	80239-14	Grey	80239-18	Green
<b>Tip - standard for V-65 Cap</b>	80264-07 <sup>1</sup>	Black	80264-10 <sup>1</sup>	Black	80264-12	Red	80264-14	Grey	80264-18	Green
<b>Tip - hardwearing for V-65 Cap</b>							80464-14	Tan	80464-18	Tan

<sup>1</sup>Sold as Spare Part Only

### Fluid Hose Assemblies

Part no.	Description
<b>80500-10</b>	Low Pressure Fluid hose 3/16" ID - 10m Waterbased
<b>80500-15</b>	Low Pressure Fluid hose 3/16" ID - 15m Waterbased
<b>80499-10</b>	Low Pressure Fluid hose 1/4" ID - 10m Waterbased
<b>80499-15</b>	Low Pressure Fluid hose 1/4" ID - 15m Waterbased

\*Other hose lengths are available on request



## Air Hose Assemblies

Part no.	Description
80558-05	Low Pressure Super Flexible Air hose - 5m
80558-10	Low Pressure Super Flexible Air hose - 10m
80558-15	Low Pressure Super Flexible Air hose - 15m
80558-20	Low Pressure Super Flexible Air hose - 20m
80558-06	Low Pressure Air hose - 5m complete with QD fittings
80558-11	Low Pressure Air hose - 10m complete with QD fittings
80558-16	Low Pressure Air hose - 15m complete with QD fittings
80558-21	Low Pressure Air hose - 20m complete with QD fittings

## RansFlex RFXW Recommended Spares & Accessories



**70430-01**  
Hi-Flex Electrode for RansFlex



**80250-65**  
Cascade assembly for RansFlex



**80255-00**  
Turbine assembly for RansFlex



**80353-00**  
Gun wrench for RansFlex



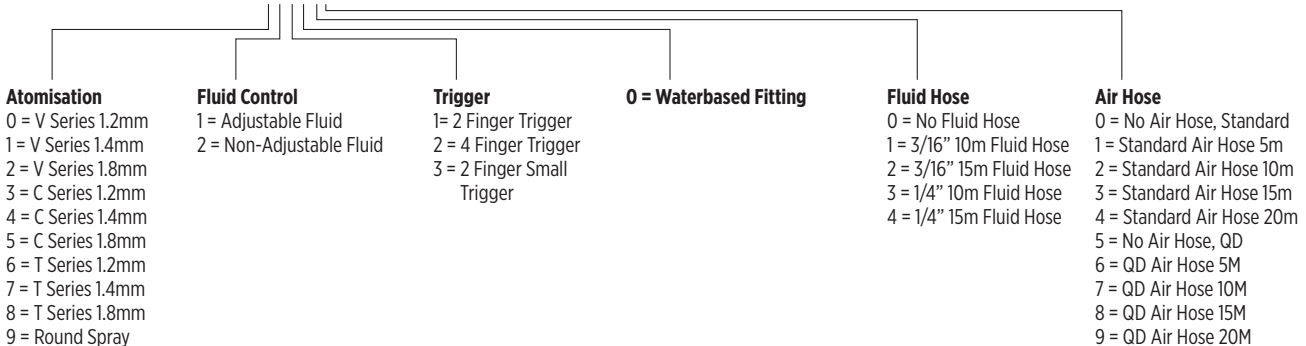
**11775-10**  
Protection hose 30mm grey for RansFlex



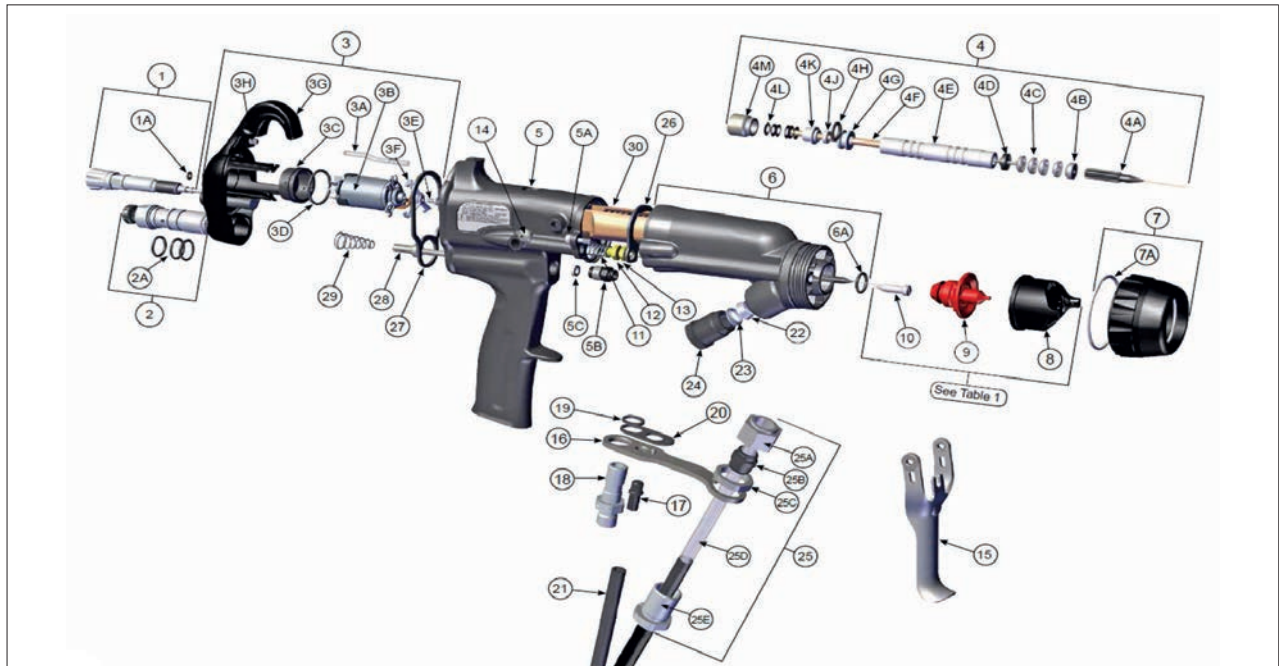
**11775-05**  
Protection hose 55mm grey for RansFlex

## RansFlex RFXW 65kV models available:

### 81520-ABCOEF



**RansFlex RFXW**



**Spare Parts**

Ref.	Part no.	Description
1	<b>80273-00</b>	Assembly, Fan Valve
1a	<b>79001-16</b>	O-Ring, Solvent Proof
2	<b>80262-00</b>	Assembly, Fluid Cartridge
	<b>80262-01</b>	Assembly, Fluid Cartridge (Non-Adjustable)
2A	<b>79001-08</b>	O-Ring, Solvent Proof
3	<b>80378-00</b>	Cover,Rear Assembly
3A	<b>80213-00</b>	Pipe, Light
3B	<b>80255-00</b>	Assembly, Motor
3C	<b>79755-00</b>	Block, Porting
3D	<b>7554-61</b>	O-Ring, Solvent Resistant
3E	<b>80275-00</b>	Screw
3F	<b>80219-00</b>	Bracket, Locking
3G	<b>80254-00</b>	Cover, Rear
3H	<b>80274-00</b>	Screw, Rear Cover
4	<b>80263-65</b>	Needle Shaft Assembly
4A	<b>70430-01</b>	Assembly Electrode, High Water
	<b>70430-01-K3</b>	Assembly Electrode, High Water Kit of 3
4B	<b>80677-00</b>	Adapter, Male
4C	<b>14323-00</b>	Seal, Chevron, 3/8 Dia.
	<b>14323-00-K4</b>	Seal, Chevron, (Kit Of 4)
4D	<b>18821-00</b>	Adapter, Female, Chevron
4E	<b>80257-65</b>	Tube, Packing Rx (65kv)
4F	<b>80225-65</b>	Needle Shaft Assembly Rfx (65kv)
4G	<b>79001-06</b>	O-Ring, Solvent Proof
4H	<b>78629-00</b>	Retainer, Needle Seal, Rear
4J	<b>10051-05</b>	Cup Seal, Spring Loaded
4K	<b>78630-00</b>	Spacer, Seal
4L	<b>17390-04</b>	Washer, Spring, Belville
	<b>17390-04-K6</b>	Washer, Spring, Belville (Kit Of 6)
4M	<b>78631-00</b>	Nut, Packing
5	<b>80870-00</b>	Assembly, Handle Includes Motor Control Board And Harness

Ref.	Part no.	Description
5A	<b>80274-00</b>	Screw, Barrel-Handle
5B	<b>80229-00</b>	Nut, Retaining, Air Valve
5C	<b>10051-05</b>	Cup Seal, Spring Loaded
7A	<b>LSOR0005-17</b>	O-Ring, Encapsulated
6	<b>80489-00</b>	Barrel (Includes O-Ring) RFXw (65kv)
6A	<b>79001-07</b>	O-Ring, Solvent Proof (included in 6)
7	<b>80377-00</b>	Nut, Retaining & O-Ring Assembly
7A	<b>LSOR0005-17</b>	O-Ring, Encapsulated
11	<b>80258-00</b>	Spring, Fluid Return
12	<b>80243-00</b>	Nut, Front Jam
13	<b>80242-00</b>	Nut, Rear Jam
14	<b>80268-00</b>	Screw, Trigger
15	<b>80211-00</b>	Trigger, Low Profile
16	<b>80497-00</b>	Bracket, Fluid
17	<b>80221-00</b>	Fitting, Exhaust
18	<b>80868-00</b>	Fitting, Air Inlet
	<b>80869-00</b>	QD Air Fitting
19	<b>80684-00</b>	Gasket, Exhaust, Combined
20	<b>79861-00</b>	Tube, Air
21	<b>EMF-203-05</b>	Ferrule, Front 3/8"
22	<b>EMF-202-05</b>	Ferrule, Back 3/8"
23	<b>80346-01</b>	Fitting, 3/8 ODT
24	<b>80500-XX</b>	Hose Assembly 3/16" ID
	<b>80501-XX</b>	Hose Assembly 1/4" ID
24A	<b>3587-02</b>	Nut
24B	<b>72315-00</b>	Ferrule, Conductor
24C	<b>10553-05</b>	Nut
24D	<b>80498-XX</b>	Hose 3/16" ID
	<b>80499-XX</b>	Hose 1/4" ID
24E	<b>72311-00</b>	Fitting, Fluid
25	<b>80745-00</b>	Gasket, Barrel
26	<b>80732-00</b>	Gasket, Rear
27	<b>80244-00</b>	Assembly, Valve, Air
28	<b>80533-00</b>	Spring, Air Valve
29	<b>80250-65</b>	Assembly, Cascade Rfx (65kv)



## RansFlex RFXA Solvent LP 65kV Automatic Applicator

Part no.	
<b>80665-X121000</b>	RansFlex RFXA 65kV Non-Bleeder with air cap, tip, and no fluid hose
<b>80665-X121021</b>	RansFlex RFXA 65kV Non-Bleeder with air cap, tip, and no fluid hose complete with 9060 power supply and 10m low voltage cable
<b>80665-X221000</b>	RansFlex RFXA 65kV Bleeder with air cap, tip, and no fluid hose
<b>80665-X221021</b>	RansFlex RFXA 65kV Bleeder with air cap, tip, and no fluid hose complete with 9060 power supply and 10m low voltage cable

### Control unit - Cascade

Part no.	Description
<b>80120-612</b>	9060 Low voltage, Cascade 65kV, Low Pressure

### Air cap Selection Table

Marking	Part No	0.7	1.0	1.2	1.4	1.8
<b>C-31</b>	<b>80231-00</b>			●	●	●
<b>T-40</b>	<b>80240-00</b>	●	●	●	●	●
<b>V-65</b>	<b>80265-00</b>	●	●	●	●	●

### Fluid Tip Selection Table

Description	0.7	Colour	1.0	Colour	1.2	Colour	1.4	Colour	1.8	Colour
<b>Tip - standard for C-31 Cap</b>					80230-12	Red	80230-14	Grey	80230-18	Green
<b>Tip - standard for T-40 Cap</b>	80239-07 <sup>1</sup>	Black	80239-10 <sup>1</sup>	Black	80239-12	Red	80239-14	Grey	80239-18	Green
<b>Tip - standard for V-65 Cap</b>	80264-07 <sup>1</sup>	Black	80264-10 <sup>1</sup>	Black	80264-12	Red	80264-14	Grey	80264-18	Green
<b>Tip - hardwearing for V-65 Cap</b>							80464-14	Tan	80464-18	Tan

1) Sold as Spare Parts Only

### Fluid Hose Assemblies

Part no.	Description
<b>80303-10</b>	Low Pressure Fluid hose - 10m
<b>80303-15</b>	Low Pressure Fluid hose - 15m
<b>80303-20</b>	Low Pressure Fluid hose - 20m
<b>80303-30</b>	Low Pressure Fluid hose - 30m

\*Other hose lengths are available on request

**RansFlex RFXA Recommended Spares & Accessories**



**70430-01**  
Hi-Flex Electrode for RansFlex range



**80590-65**  
Cascade assembly for RansFlex RFXA 65kV



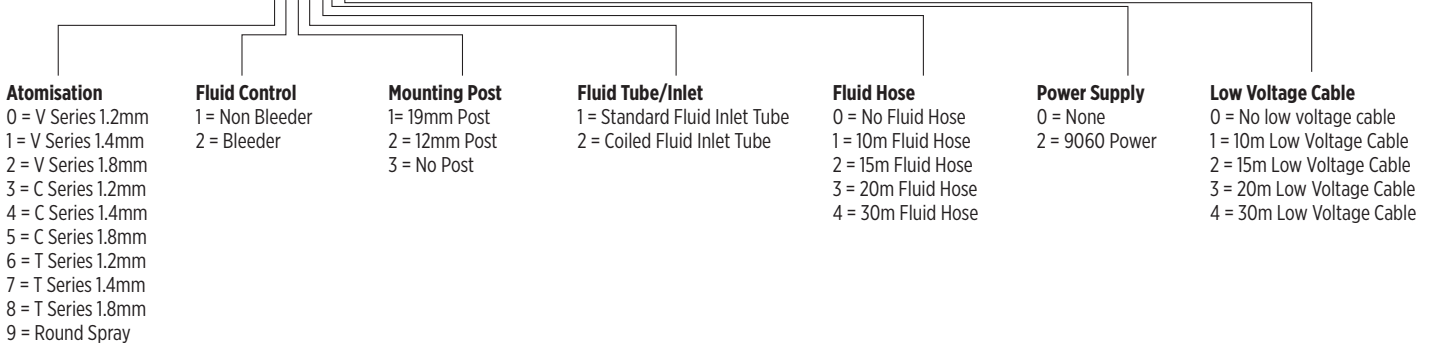
**80745-00**  
Barrel Gasket for RansFlex RFXA 65kV



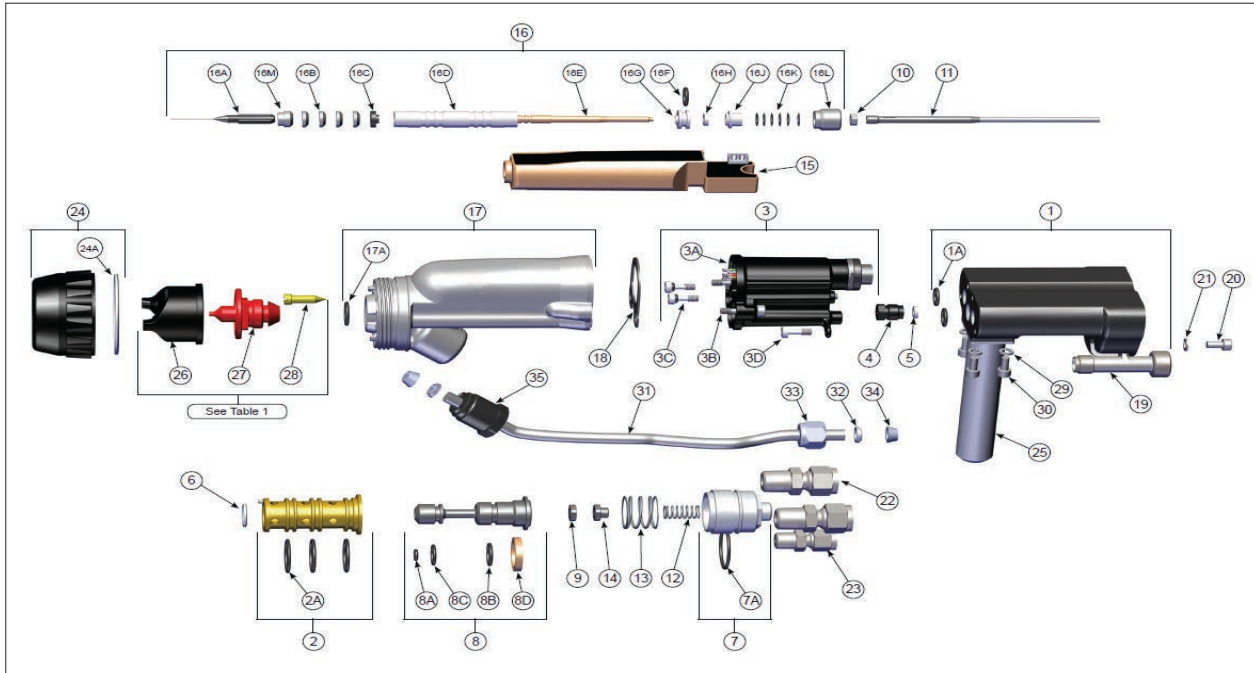
**80353-00**  
Gun wrench for RansFlex range

**RansFlex RFXA 65kV models available:**

**80665-ABCDEFG**



## RansFlex RFXA 65kV Non Bleed - Solvent

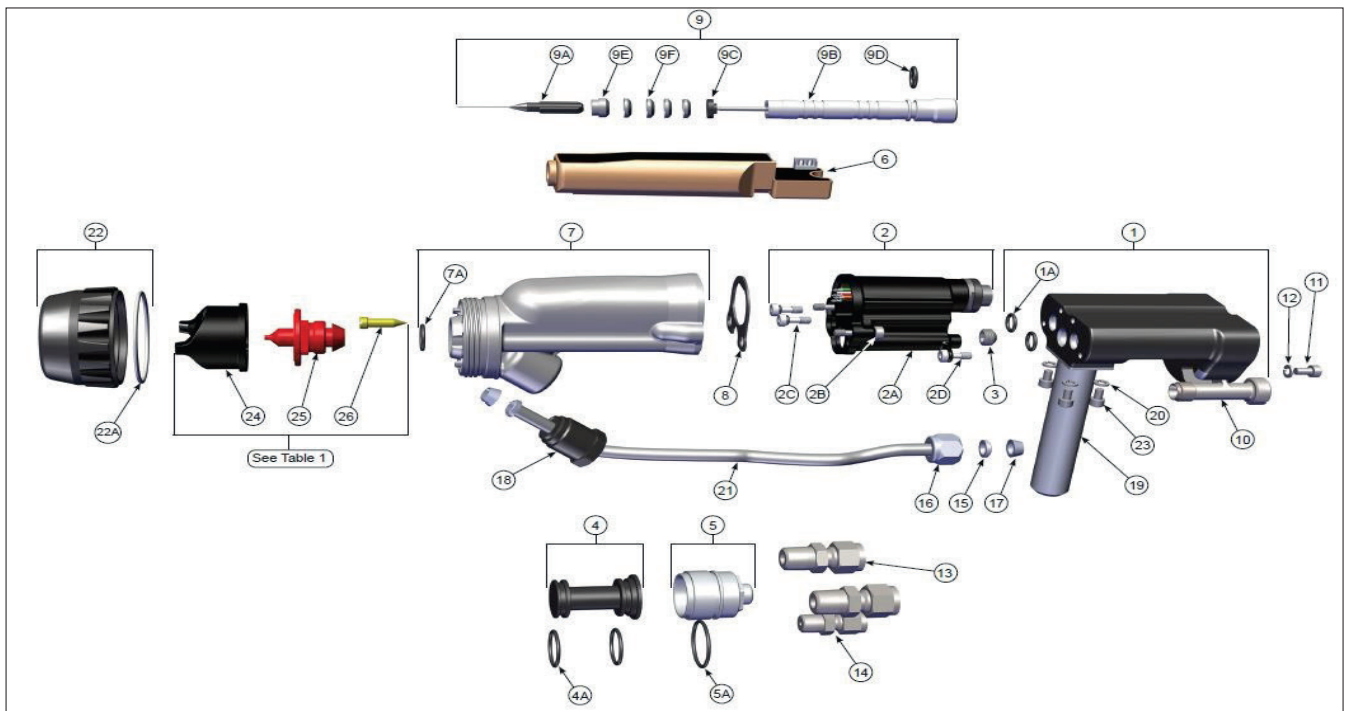


### Spare Parts

Ref.	Part no.	Description
1	80602-00	O-ring Piston Body Assembly
1a	79001-06	O-ring, Solvent Proof
2	80603-00	Bushing Assembly
2a	79001-19	O-ring, Solvent Proof
3	80605-00	Cascade Housing Assembly
3a	80672-00	Housing Assembly
3b	80695-00	Modified Screw
3c	80609-00	Screw and O-ring Assembly
3d	80608-00	Low Profile Screw
4	80606-00	Air Valve Nut, Retaining
5	10051-05	Cup Seal, Spring Loaded
6	13076-13	O-ring 2-013 PTFE
7	80595-00	Cap Assembly
7a	79001-12	O-ring, Solvent Proof
8	80594-00	Piston Assembly
8a	79001-03	O-ring, Solvent Proof
8b	79001-07	O-ring, Solvent Proof
8c	79001-14	O-ring, Solvent Proof
8d	80597-00	U-Cup Seal Spring Energized
9	80593-00	Nut, Rear Jam
10	80592-00	Nut, Jam
11	80591-00	Needle Shaft Extension
12	80258-00	Spring, Fluid Return
13	80587-00	Spring, Piston Return
14	80588-00	Spring Guide Jam Nut
15	80590-65	Assembly, Cascade
16	80263-65	Assembly, Needle Shaft
16a	70430-01	Assembly, Electrode, High Wear
	70430-01-K3	Kit of 3 Electrodes
16b	14323-00	Seal, Chevron, 3/8 Dia.
	14323-00-K4	Seal, Chevron, (Kit of 4)
16c	18821-00	Adapter Female Chevron
16d	80257-65	Tube, Packing

Ref.	Part no.	Description
16e	80225-65	Needle Shaft Assembly
16f	79001-06	O-ring, Solvent Proof
16g	78629-00	Retainer, Needle Seal, Rear
16h	10051-05	Cup Seal, Spring Loaded
16j	78630-00	Spacer, Seal
16k	17390-04	Washer, Spring, Belleville
	17390-04-K6	Washer, Spring, Belleville (Kit of 6)
16l	78631-00	Nut, Packing
16m	80677-00	Adapter, Male
17	80379-00	65kV Barrel & O-Ring Assembly
17a	79001-07	O-ring, Solvent Proof
18	80745-00	Gasket, Barrel
19	80586-00	Fluid Inlet
20	A11119-08	Screw, Socket HD Cap, Stainless
21	7734-03	Lock Washer, Standard
22	80579-00	Tube Fitting 8mm
23	80580-00	Tube Fitting 4mm
24	80377-00	Nut, Retaining & O-Ring Assembly
24a	LSOR0005-17	O-ring, encapsulated
25	80583-19	Machine Post 19mm
	80583-12	Machine Post 12mm
29	7734-03	Lock Washer, Standard
30	A11119-08	Screw, Socket HD Cap, Stainless
31	80578-65	Tube, Fluid Delivery
	79879-01	Coiled Fluid Inlet Tube
32	EMF-202-04	Ferrule, Back 1/4"
33	EMF-201-04	Nut, Hex, Nylon
34	EMF-203-04	Ferrule, Front 1/4"
35	80346-00	Nut, Connector, Hose

RansFlex RFXA 65kV Bleed - Solvent



Spare Parts

Ref.	Part no.	Description
1	<b>80602-00</b>	O-ring Piston Body Assembly
1a	<b>79001-06</b>	O-ring, Solvent Proof
2	<b>80605-00</b>	Cascade Housing Assembly
2a	<b>80672-00</b>	Housing Assembly
2b	<b>80695-00</b>	Modified Screw
2c	<b>80609-00</b>	Screw and O-ring Assembly
2d	<b>80608-00</b>	Low Profile Screw
3	<b>80599-00</b>	Plug
4	<b>80601-00</b>	Bleeder Plug
4a	<b>79001-19</b>	O-ring, Solvent Proof
5	<b>80595-00</b>	Cap Assembly
5a	<b>79001-12</b>	O-ring, Solvent Proof
6	<b>80590-65</b>	Assembly, Cascade
7	<b>80379-00</b>	65kV Barrel & O-Ring Assembly
7a	<b>79001-07</b>	O-ring, Solvent Proof
8	<b>80745-00</b>	Gasket, Barrel
9	<b>80585-65</b>	Assembly, Needle Shaft
9a	<b>70430-01</b>	Assembly, Electrode, High Wear
	<b>70430-01-K3</b>	Kit of 3 Electrodes
9b	<b>80589-00</b>	Needleless Shaft Assembly Bleeder
9c	<b>18821-00</b>	Adapter Female Chevron
9d	<b>79001-06</b>	O-ring, Solvent Proof
9e	<b>80677-00</b>	Adapter, Male
9f	<b>14323-00</b>	Seal, Chevron, 3/8 Dia.
	<b>14323-00-K4</b>	Seal, Chevron, (Kit of 4)
10	<b>80586-00</b>	Fluid Inlet
11	<b>A11119-08</b>	Screw, Socket HD Cap, Stainless
12	<b>7734-03</b>	Lock Washer, Standard
13	<b>80579-00</b>	Tube Fitting 8mm
14	<b>80580-00</b>	Tube Fitting 4mm

Ref.	Part no.	Description
15	<b>EMF-202-04</b>	Ferrule, Back 1/4"
16	<b>EMF-201-04</b>	Nut, Hex, Nylon
17	<b>EMF-203-04</b>	Ferrule, Front 1/4"
18	<b>80346-00</b>	Nut, Connector, Hose
19	<b>80583-19</b>	Machine Post 19mm
	<b>80583-12</b>	Machine Post 12mm
20	<b>7734-03</b>	Lock Washer, Standard
21	<b>80578-65</b>	Tube, Fluid Delivery
	<b>79879-01</b>	Colied Fluid Inlet Tube
22	<b>80377-00</b>	Nut, Retaining & O-Ring Assembly
22a	<b>LSOR0005-17</b>	O-Ring, Encapsulated
23	<b>A11119-08</b>	Screw, Socket HD Cap, Stainless



## RansFlex RFXAW Waterbased LP 65kV Automatic Applicator

Part no.	Description
<b>80765-X110000</b>	RansFlex RFXAW 65kV Non-Bleeder with air cap, tip, and no fluid hose
<b>80765-X110021</b>	RansFlex RFXAW 65kV Non-Bleeder with air cap, tip, and no fluid hose complete with 9060 power supply and 10m low voltage cable
<b>80765-X210000</b>	RansFlex RFXAW 65kV Bleeder with air cap, tip, and no fluid hose
<b>80765-X210021</b>	RansFlex RFXAW 65kV Bleeder with air cap, tip, and no fluid hose complete with 9060 power supply and 10m low voltage cable

### Control unit - Cascade

Part no.	Description
<b>80120-612</b>	9060 Low voltage, Cascade 65kV, Low Pressure

### Air cap Selection Table

Marking	Part No	0.7	1.0	1.2	1.4	1.8
<b>C-31</b>	<b>80231-00</b>			●	●	●
<b>T-40</b>	<b>80240-00</b>	●	●	●	●	●
<b>V-65</b>	<b>80265-00</b>	●	●	●	●	●

### Fluid Tip Selection Table

Description	0.7	Colour	1.0	Colour	1.2	Colour	1.4	Colour	1.8	Colour
<b>Tip - standard for C-31 Cap</b>					80230-12	Red	80230-14	Grey	80230-18	Green
<b>Tip - standard for T-40 Cap</b>	80239-07 <sup>1</sup>	Black	80239-10 <sup>1</sup>	Black	80239-12	Red	80239-14	Grey	80239-18	Green
<b>Tip - standard for V-65 Cap</b>	80264-07 <sup>1</sup>	Black	80264-10 <sup>1</sup>	Black	80264-12	Red	80264-14	Grey	80264-18	Green
<b>Tip - hardwearing for V-65 Cap</b>							80464-14	Tan	80464-18	Tan

1) Sold as Spare Parts Only

### Fluid Hose Assemblies

Part no.	Description
<b>80500-10</b>	Low Pressure Fluid hose 3/16" ID - 10m Waterbased
<b>80500-15</b>	Low Pressure Fluid hose 3/16" ID - 15m Waterbased
<b>80499-10</b>	Low Pressure Fluid hose 1/4" ID - 10m Waterbased
<b>80499-15</b>	Low Pressure Fluid hose 1/4" ID - 15m Waterbased

\*Other hose lengths are available on request

**RansFlex RFXAW Recommended Spares & Accessories**



**70430-01**  
Hi-Flex Electrode for RansFlex range



**80590-65**  
Cascade assembly for RansFlex RFXAW 65kV



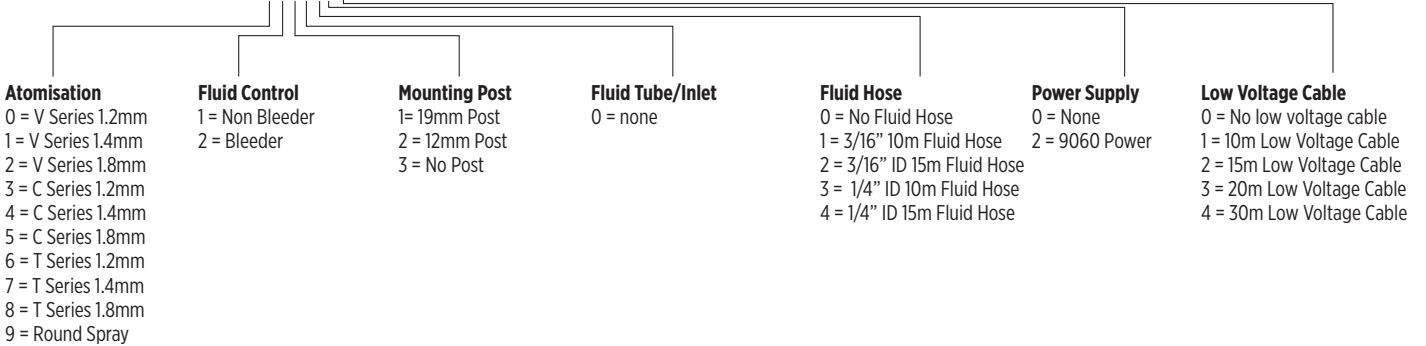
**80745-00**  
Barrel Gasket for RansFlex RFXAW 65kV



**80353-00**  
Gun wrench for RansFlex range

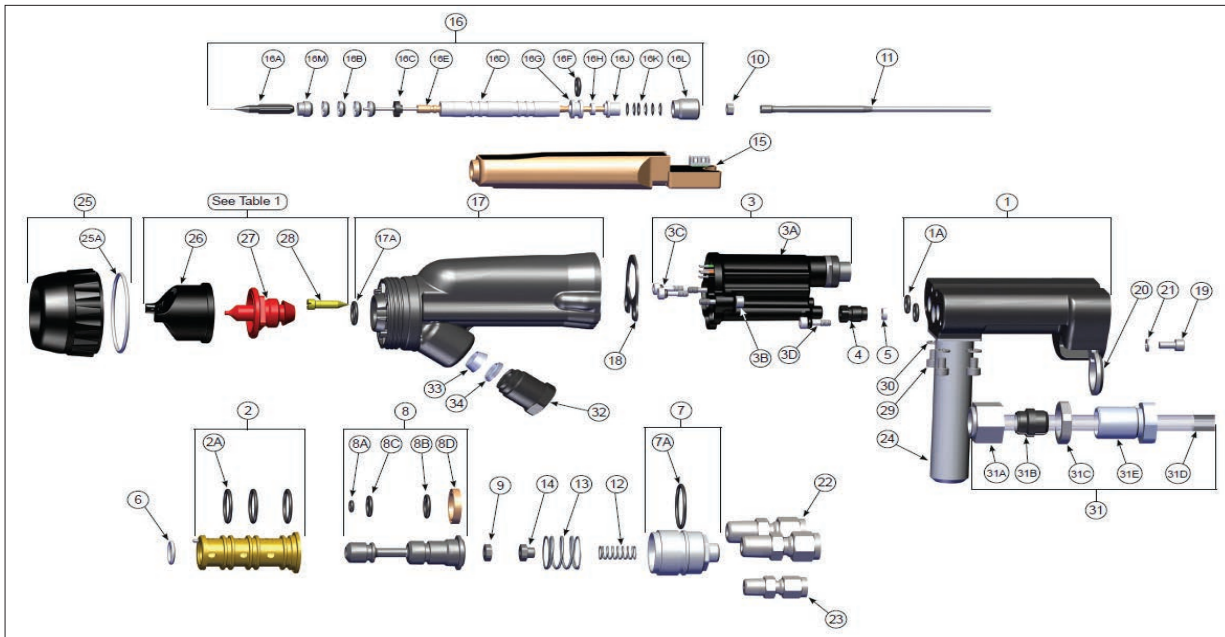
**RansFlex RFXAW 65kV models available:**

**80765-ABCDEFG**





## RansFlex RFXAW 65kV Non Bleed - Waterbased

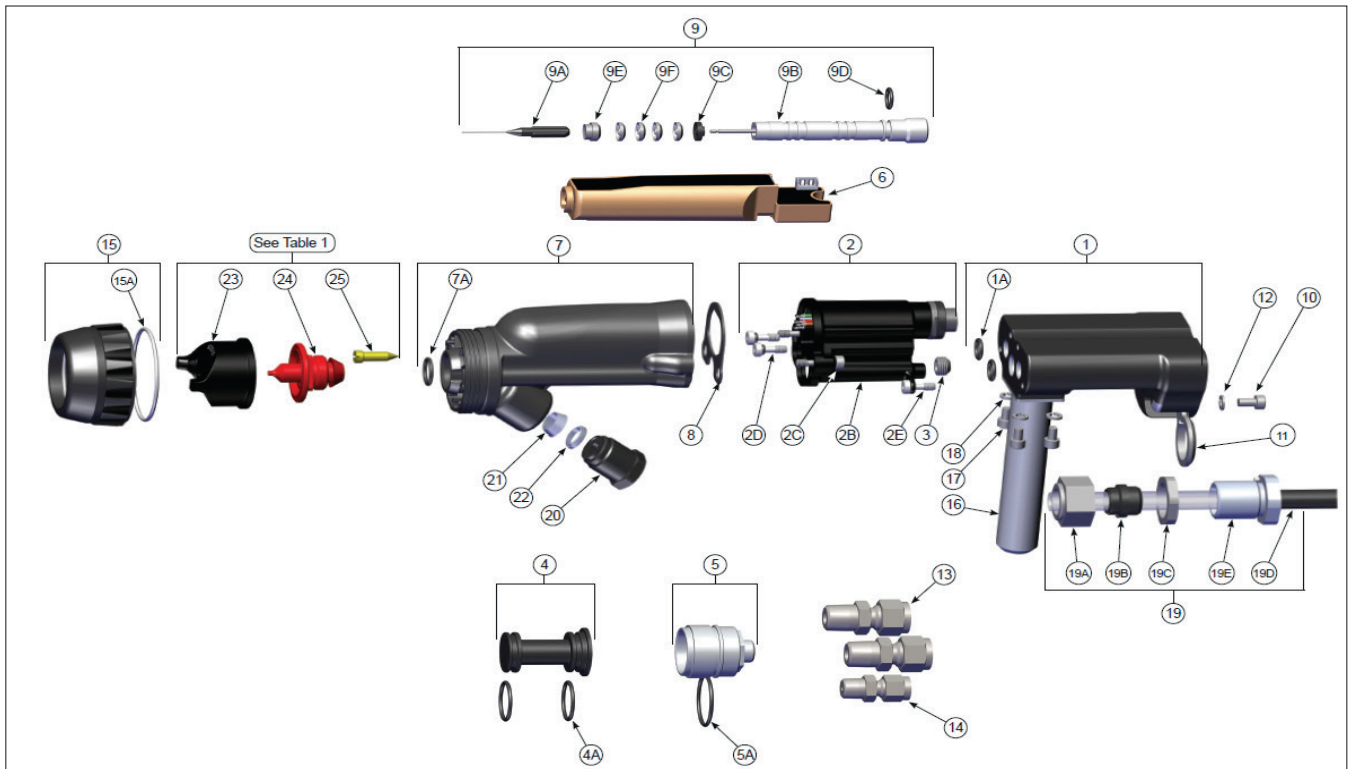


### Spare Parts

Ref.	Part no.	Description
1	<b>80602-00</b>	O-ring Piston Body Assembly
1a	<b>79001-06</b>	O-ring, Solvent Proof
2	<b>80603-00</b>	Bushing Assembly
2a	<b>79001-19</b>	O-ring, Solvent Proof
3	<b>80605-00</b>	Cascade Housing Assembly
3a	<b>80672-00</b>	Housing Assembly
3b	<b>80695-00</b>	Modified Screw
3c	<b>80609-00</b>	Screw and O-ring Assembly
3d	<b>80608-00</b>	Low Profile Screw
4	<b>80606-00</b>	Air Valve Nut, Retaining
5	<b>10051-05</b>	Cup Seal, Spring Loaded
6	<b>13076-13</b>	O-ring 2-013 PTFE
7	<b>80595-00</b>	Cap Assembly
7a	<b>79001-12</b>	O-ring, Solvent Proof
8	<b>80594-00</b>	Piston Assembly
8a	<b>79001-03</b>	O-ring, Solvent Proof
8b	<b>79001-07</b>	O-ring, Solvent Proof
8c	<b>79001-14</b>	O-ring, Solvent Proof
8d	<b>80597-00</b>	U-Cup Seal Spring Energized
9	<b>80593-00</b>	Nut, Rear Jam
10	<b>80592-00</b>	Nut, Jam
11	<b>80591-00</b>	Needle Shaft Extension
12	<b>80258-00</b>	Spring, Fluid Return
13	<b>80587-00</b>	Spring, Piston Return
14	<b>80588-00</b>	Spring Guide Jam Nut
15	<b>80590-65</b>	Assembly, Cascade
16	<b>80263-65</b>	Assembly, Needle Shaft
16a	<b>70430-01</b>	Assembly, Electrode, High Wear
	<b>70430-01-K3</b>	Kit of 3 Electrodes
16b	<b>14323-00</b>	Seal, Chevron, 3/8 Dia.
	<b>14323-00-K4</b>	Seal, Chevron, (Kit of 4)
16c	<b>18821-00</b>	Adapter Female Chevron
16d	<b>80257-65</b>	Tube, Packing
16e	<b>80225-65</b>	Needle Shaft Assembly
16f	<b>79001-06</b>	O-ring, Solvent Proof

Ref.	Part no.	Description
16g	<b>78629-00</b>	Retainer, Needle Seal, Rear
16h	<b>10051-05</b>	Cup Seal, Spring Loaded
16j	<b>78630-00</b>	Spacer, Seal
16k	<b>17390-04</b>	Washer, Spring, Belville
	<b>17390-04-K6</b>	Washer, Spring, Belville (Kit of 6)
16l	<b>78631-00</b>	Nut, Packing
16m	<b>80677-00</b>	Adapter, Male
17	<b>80489-00</b>	65kV Barrel & O-Ring Assembly
17a	<b>79001-07</b>	O-ring, Solvent Proof
18	<b>80745-00</b>	Gasket, Barrel
19	<b>A11119-08</b>	Screw, Socket HD Cap, Stainless
20	<b>80615-00</b>	Water Base Bracket
21	<b>7734-03</b>	Lock Washer, Standard
22	<b>80579-00</b>	Tube Fitting 8mm
23	<b>80580-00</b>	Tube Fitting 4mm
24	<b>80583-19</b>	Machine Post 19mm
	<b>80583-12</b>	Machine Post 12mm
25	<b>80377-00</b>	Nut, Retaining & O-Ring Assembly
25a	<b>LSOR0005-17</b>	O-Ring, Encapsulated
29	<b>A11119-08</b>	Screw, Socket HD Cap, Stainless
30	<b>7734-03</b>	Lock Washer, Standard
31	<b>80500-XX</b>	Fluid Hose Assembly Grounded 3/16"
	<b>80501-XX</b>	Fluid Hose Assembly Grounded 1/4"
31a	<b>3587-02</b>	Nut
31b	<b>72315-00</b>	Ferrule, Conductor
31c	<b>10553-05</b>	Nut
31d	<b>80498-XX</b>	Hose, 3/16" ID
	<b>80499-XX</b>	Hose, 1/4" ID
31e	<b>72310-00</b>	Fitting, Fluid
32	<b>80346-01</b>	Nut, Connector, Hose
33	<b>EMF-203-05</b>	Ferrule, Front 3/8"
34	<b>EMF-202-05</b>	Ferrule, Back 3/8"

RansFlex RFXAW 65kV Bleed - Waterbased



Spare Parts

Ref.	Part no.	Description
1	80602-00	O-ring Piston Body Assembly
1a	79001-06	O-ring, Solvent Proof
2	80605-00	Cascade Housing Assembly
2a	80672-00	Housing Assembly
2b	80695-00	Modified Screw
2c	80609-00	Screw and O-ring Assembly
2d	80608-00	Low Profile Screw
3	80599-00	Plug
4	80601-00	Bleeder Plug
4a	79001-19	O-ring, Solvent Proof
5	80595-00	Cap Assembly
5a	79001-12	O-ring, Solvent Proof
6	80590-65	Assembly, Cascade
7	80489-00	65kV Barrel & O-Ring Assembly
7a	79001-07	O-ring, Solvent Proof
8	80745-00	Gasket, Barrel
9	80585-65	Assembly, Needle Shaft
9a	70430-01	Assembly, Electrode, High Wear
	70430-01-K3	Kit of 3 Electrodes
9b	80589-00	Needleless Shaft Assembly Bleeder
9c	18821-00	Adapter Female Chevron
9d	79001-06	O-ring, Solvent Proof
9e	80677-00	Adapter, Male
9f	14323-00	Seal, Chevron, 3/8 Dia.
	14323-00-K4	Seal, Chevron, (Kit of 4)
10	A11119-08	Screw, Socket HD Cap, Stainless
11	80615-00	Water Base Bracket
12	7734-03	Lock Washer, Standard

Ref.	Part no.	Description
13	80579-00	Tube Fitting 8mm
14	80580-00	Tube Fitting 4mm
15	80377-00	Nut, Retaining & O-Ring Assembly
15a	LSOR0005-17	O-Ring, Encapsulated
16	80583-19	Machine Post 19mm
	80583-12	Machine Post 12mm
17	A11119-08	Screw, Socket HD Cap, Stainless
18	7734-03	Lock Washer, Standard
19	80500-XX	Fluid Hose Assembly Grounded 3/16"
	80501-XX	Fluid Hose Assembly Grounded 1/4"
19a	3587-02	Nut
19b	72315-00	Ferrule, Conductor
19c	10553-05	Nut
19d	80498-XX	Hose, 3/16" ID
	80499-XX	Hose, 1/4" ID
19e	72310-00	Fitting, Fluid
20	80346-01	Nut, Connector, Hose
21	EMF-203-05	Ferrule, Front 3/8"
22	EMF-202-05	Ferrule, Back 3/8"



## Vector Cascade

Part no.	
79501-12202	VECTOR R70 Cascade, solvent, 65kV with 10m cable and control unit
79501-22202	VECTOR R70 Cascade, solvent, 65kV with 15m cable and control unit
79500-12202	VECTOR R90 Cascade, solvent, 85kV with 10m cable and control unit
79500-22202	VECTOR R90 Cascade, solvent, 85kV with 15m cable and control unit
79523-12102	VECTOR R90 Cascade, water-based, 85kV with 10m cable, control unit and 10m isolated material hose package
79523-22302	VECTOR R90 Cascade, water-based paint, 85kV with 15m cable, control unit and 15m isolated material hose package



## Vector Classic

Part no.	
79504-12202	VECTOR R70 Classic , solvent, 65kV with 10m cable and control unit
79504-22202	VECTOR R70 Classic, solvent, 65kV with 15m cable and control unit
79503-12202	VECTOR R90 Classic, solvent, 85kV with 10m cable and control unit
79503-22202	VECTOR R90 Classic, solvent, 85kV with 15m cable and control unit
79520-12102	VECTOR R90 Classic, water-based paint, 85kV with 10m cable, control unit and 10m isolated material hose package
79520-22302	VECTOR R90 Classic Electrostatic handgun, water-based paint, 85kV with 15m cable, control unit and 15m isolated material hose package

### Control unit - Cascade

Part no.	Description
80131-212	9060 LV3 Low voltage, Cascade 65kV, Low Pressure
80131-312	9060 LV3 Low voltage, Cascade 85kV, Low Pressure
80131-512	9060 LV3, Low voltage, Cascade 85kV, Water

### Control unit - Classic

Part no.	Description
80130-212	9060 HV3 High voltage, Classic 65kV, Low Pressure
80130-312	9060 HV3 High voltage, Classic 85kV, Low Pressure
80130-512	9060 HV3 High voltage, Classic 85kV, Water



### Air cap Selection Table

Part no.	Nozzle Ø in mm		Round spray
	1.4	1.8	
79374-65	●	●	
79374-98	●	●	
79542-00			●

### Fluid Tip selection table

Part no.		Part no. Stainless steel
1.4	Nozzle	79377-44
1.8	Nozzle	79377-45
Round spray	Nozzle	79544-00
	Separately retaining ring	79379-00
	Pressure reducer (black)	74963-05

**Hoses - Cascade**

Part no.	Description
<b>VEC-CA-10</b>	Low Pressure Air and Fluid hose - 10m with protective sleeve and connectors
<b>VEC-CA-15</b>	Low Pressure Air and fluid hose - 15m with protective sleeve and connectors
<b>VEC-CA-20</b>	Low Pressure Air and fluid hose - 20m with protective sleeve and connectors
<b>VEC-CA-30</b>	Low Pressure Air and fluid hose - 30m with protective sleeve and connectors

**Hoses - Classic**

Part no.	Description
<b>VEC-CL-10</b>	Low Pressure Air and Fluid hose - 10m with protective sleeve and connectors
<b>VEC-CL-15</b>	Low Pressure Air and Fluid hose - 15m with protective sleeve and connectors

**Vector LP Recommended Spares & Accessories**



**70430-01**  
Hi-Flex Electrode for Vector LP



**79465-85**  
Barrel for Vector R90 Classic



**79476-00**  
Gun Handle for Vector LP



**79310-00**  
Air Valve for Vector LP



**79469-00**  
Barrel for Vector R70 Cascade



**79529-00-K5**  
Disposable gun covers for Vector LP



**59972-00**  
Dielectric grease 4 x 1oz tubes for Vector LP



**76633-00-L-K12**  
Conductive gloves pack of 12

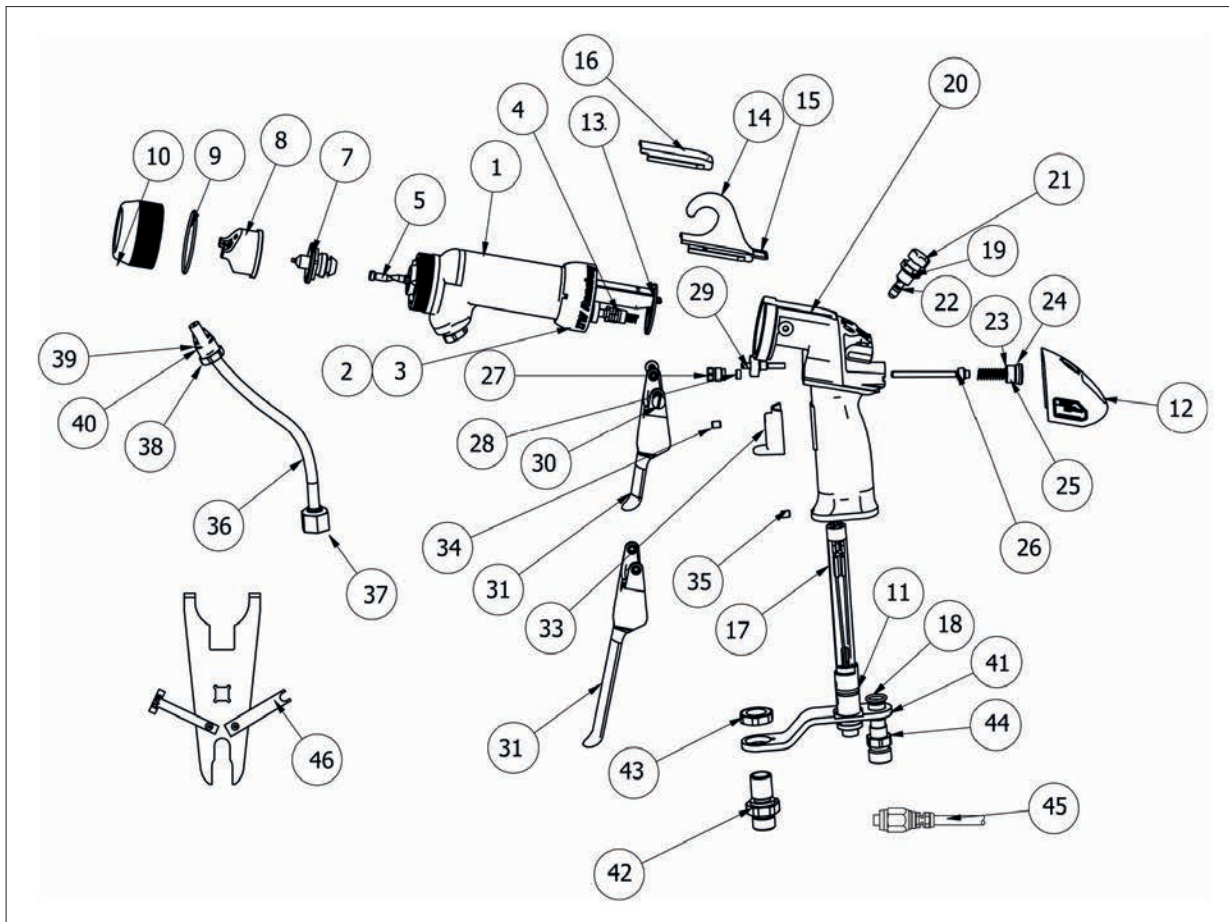


**11775-10**  
Protection hose 30mm grey for Vector LP



**11775-05**  
Protection hose 55mm grey for Vector LP

## Vector Cascade



### Spare Parts

Ref.	Part no.	Description
1	<b>79468-00</b>	R90 Barrel
	<b>79469-00</b>	R70 Barrel
2	<b>79373-00</b>	Barrel retaining nut
3	<b>75326-00</b>	Retaining ring
4	<b>79599-01</b>	Needle shaft R90, 2K Packings
	<b>79599-02</b>	Needle shaft R70, 2K Packings
5	<b>74963-05</b>	Restrictor, standard
7	<b>79377-45</b>	Nozzle, standard, see table
8	<b>79374-65</b>	Air cap, 65V Standard, see table
9	<b>LSOR0005-17</b>	O-ring, PTFE black
10	<b>79379-00</b>	Nozzle retaining ring
11	<b>79001-09</b>	O-ring, solvent-resistant
12	<b>79471-01</b>	Rear cover assembly
13	<b>79378-00</b>	Barrel cover gasket
14	<b>79322-00</b>	Hook
15	<b>79479-00</b>	O-ring, solvent-resistant
16	<b>79322-11</b>	Hook
17	<b>79460-03</b>	Plug assembly
18	<b>79001-08</b>	O-ring, solvent-resistant
19	<b>79001-07</b>	O-ring, solvent-resistant
20	<b>79476-00</b>	Gun handle
21	<b>79445-10</b>	Fan air adjust assembly
22	<b>79001-16</b>	O-ring, solvent-resistant
23	<b>17130-00</b>	Return spring
24	<b>79001-31</b>	O-ring, solvent-resistant
25	<b>79453-00</b>	Air valve cap
26	<b>79310-00</b>	Air valve
27	<b>78635-00</b>	Retaining nut
28	<b>10051-05</b>	Seal

Ref.	Part no.	Description
29	<b>79560-00</b>	Trigger stop
30	<b>79454-00</b>	Trigger retention screw
31	<b>79325-02</b>	2 finger trigger bracket
32	<b>79325-04</b>	4 finger trigger bracket
33	<b>79324-00</b>	Handle piece, finger form
34	<b>19603-08F</b>	Screw
35	<b>19603-10F</b>	Screw
36	<b>9704-16</b>	Paint tube 3,2 mm ID
37	<b>3587-03</b>	Union nut
38	<b>79385-00</b>	Nut
39	<b>EMF-202-05</b>	Sleeve before
40	<b>EMF-203-05</b>	Sleeve back
41	<b>79439-00</b>	Bracket 45°
42	<b>70442-00</b>	Material inlet
43	<b>10553-05</b>	Hex. Nut
44	<b>18847-01</b>	Air inlet 1/4"
45*	<b>79338-10</b>	Low-voltage cable 10m
46	<b>19749-00</b>	Gun spanner
47	<b>72315-00</b>	Conductive ferrule
48	<b>6241-06</b>	Fluid fitting
49	<b>7787-03</b>	Swivel fitting

\* Other cable lengths are available on request.



### Vector AA90 Cascade

**Part no.**

<b>79580-12202</b>	VECTOR AA90 Cascade, 85kV with 10m cable and control unit
<b>79580-22202</b>	VECTOR AA90 Cascade, 85kV with 15m cable and control unit



### Vector AA90 Classic

**Part no.**

<b>79581-12202</b>	VECTOR AA90 Classic, 85kV with 10m cable and control unit
<b>79581-22202</b>	VECTOR AA90 Classic, 85kV with 15m cable and control unit

#### Control unit - AA90 Cascade

Part no.	Description
<b>80131-412</b>	9060 LV3 Low Voltage, Cascade AA High Pressure

#### Control unit - Classic

Part no.	Description
<b>80130-412</b>	9060 HV3 Hi Voltage, Classic AA, High Pressure



#### Fluid Tip selection table

Pattern Width /inches/(mm)	5(127)	8(203)	10(254)	13(330)	15(381)	17 (432)
<b>Bore Ø inches/(mm)</b>	<b>Part no. 79691-....</b>					
<b>0.009 (.23)</b>	<b>0509</b>	-	<b>1009</b>	-	-	-
<b>0.011 (.28)</b>	<b>0511</b>	<b>0811</b>	<b>1011</b>	<b>1311</b>	<b>1511</b>	-
<b>0.013 (.33)</b>	<b>0513</b>	<b>0813</b>	<b>1013</b>	<b>1313</b>	<b>1513</b>	-
<b>0.015 (.38)</b>	-	-	<b>1015</b>	<b>1315</b>	<b>1515</b>	<b>1715</b>
<b>0.018 (.46)</b>	-	-	<b>1018</b>	<b>1318</b>	<b>1521</b>	-
<b>0.021 (.53)</b>	-	-	<b>1021</b>	-	-	-

79691-1015 tip supplied as standard

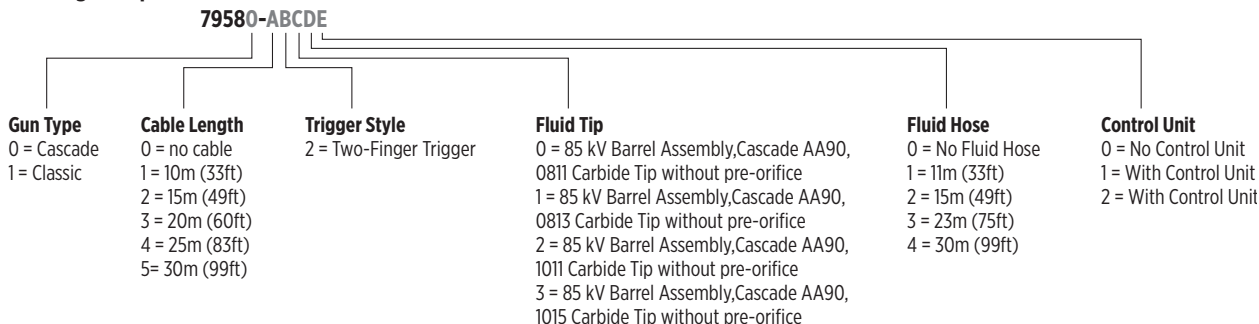
#### Hoses - Cascade

Part no.	Description
<b>VECAA-CA-10</b>	High Pressure Air and Fluid Hose - 10m with protective sleeve and connectors
<b>VECAA-CA-15</b>	High Pressure Air and Fluid Hose - 15m with protective sleeve and connectors

#### Hoses - Classic

Part no.	Description
<b>VECAA-CL-10</b>	High Pressure Air and Fluid Hose - 10m with protective sleeve and connectors
<b>VECAA-CL-15</b>	High Pressure Air and Fluid Hose - 15m with protective sleeve and connectors

#### Ordering example:



**Vector HP AA90 Recommended Spares & Accessories**



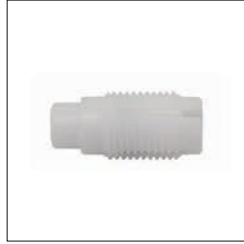
**79476-01**  
Gun Handle for Vector HP AA90



**79310-00**  
Air Valve for Vector HP AA90



**79574-01**  
Valve Seat for Vector HP AA90



**79668-00**  
Fluid tip assembly for Vector HP AA90



**10051-05**  
Spring loaded cup seal for Vector HP AA90



**7720-01-K3**  
Paint Filter, Standard .005" spacing 100 mesh



**79529-00-K5**  
Disposable gun covers for Vector HP AA90



**59972-00**  
Dielectric grease 4 x 1oz tubes for Vector HP AA90

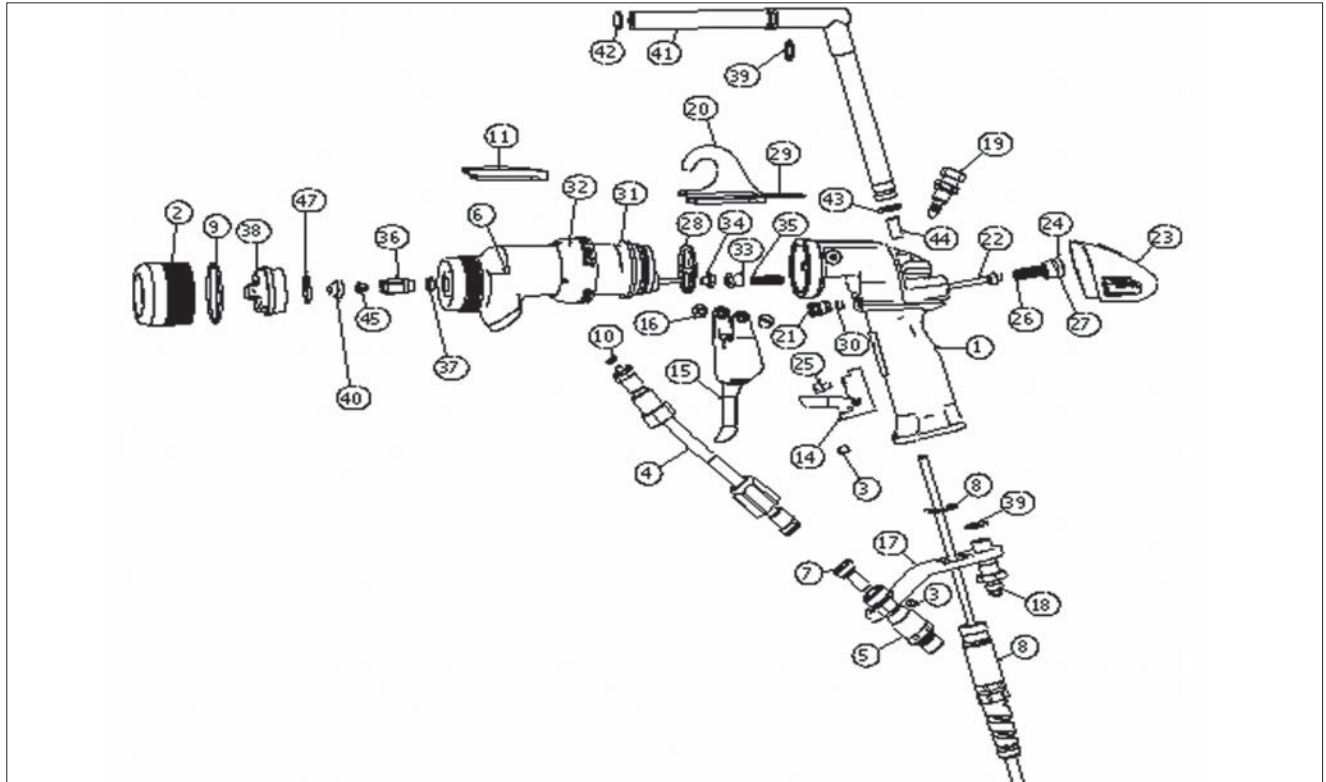


**76633-00-L-K12**  
Conductive gloves pack of 12



**11775-10**  
Protection hose 30mm grey for Vector HP AA90

Vector AA90 Classic



Spare Parts

Ref.	Part no.	Description
1	<b>79476-01</b>	Handle assembly
2	<b>79568-00</b>	Retaining ring, air assist
3	<b>19603-08F</b>	Set screw, cup point
4	<b>77096-00</b>	Fluid tube assembly
5	<b>76105-00</b>	High pressure swivel
6	<b>79584-00</b>	Assembly, barrel, AA90 Classic with needle, retaining ring & resistor tube
	<b>79583-00</b>	Barrel assembly
7	<b>7720-01-K3</b>	Filter paint, .005 web spacing, 100 Mesh (Fine)
	<b>7720-02-K3</b>	Filter paint, .009 web spacing, 60 mesh (coarse)
8	<b>79519-10</b>	Cable assembly, high voltage, 10m*
9	<b>LSOR0005-17</b>	O-ring, PTFE encapsulated
10	<b>72375-02</b>	Seal, PTFE
11	<b>79322-11</b>	Hook
14	<b>79638-00</b>	Trigger Lock Assembly
15	<b>79325-02</b>	2 finger trigger bracket
16	<b>79454-00</b>	Trigger retention screw (2 required)
17	<b>79570-00</b>	Bracket, support, offset
18	<b>74189-00</b>	Air inlet fitting
19	<b>79566-10</b>	Fan click adjust
20	<b>79322-00</b>	Hook
21	<b>78635-00</b>	Air valve retaining ring
22	<b>79310-00</b>	Rod assembly, dual stage air valve
23	<b>79471-11</b>	Rear housing assembly

Ref.	Part no.	Description
24	<b>79453-00</b>	Air cap retaining ring
25	<b>8301-08C</b>	SHCS
26	<b>17130-00</b>	Return spring
27	<b>79001-31</b>	O-ring, solvent proof
28	<b>79378-00</b>	Gasket,
29	<b>79479-00</b>	O-ring, cord
30	<b>10051-05</b>	Spring loaded cup seal
31	<b>75326-00</b>	Retaining ring
32	<b>79373-00</b>	Retaining barrel nut
33	<b>78633-00</b>	Spring retainer, needle shaft
34	<b>78623-00</b>	Locking nut, needle shaft
35	<b>78824-00</b>	Spring
36	<b>79668-00</b>	Valve seat assembly
37	<b>72375-03</b>	Seal, PTFE
38	<b>79695-00</b>	Air cap assembly
39	<b>79001-08</b>	O-ring, solvent proof
40	<b>79691-XX</b>	Carbide Tip Assemblies, see table
41	<b>70397-02</b>	Resistor housing, potted
42	<b>14061-05</b>	Conductive sponge
43	<b>79001-07</b>	O-ring, solvent proof
44	<b>14061-08</b>	Conductive sponge
45	<b>79634-00-K3</b>	Carbide tip seal, pack of 3
47	<b>LSOR0005-11</b>	O-ring, PTFE encapsulated
48	<b>79642-00</b>	Cap removal tool

\*Other cable lengths are available on request





### No. 2 gun

Part no.	
<b>NO-2-501A</b>	Electrostatic hand spray gun with 7.5 m high-voltage cable, 7.5 m paint and air hose 1/4", bell 4" (max. yield 120 ccm)
<b>NO-2-601A</b>	NO-2-501 Electrostatic hand spray gun complete with high-voltage generator Classic, air filter regulator and integrated hose package 7.5 m
<b>NO-2-701A</b>	NO-2-601 Electrostatic hand spray unit cart mounted, with gun holder and pressure cup 10 l, galvanized
<b>19372-25N</b>	NO-2 Electrostatic hand spray gun with 4" bell and cable package



### Estaquick

Part no.	
<b>AEMD-600-FW-800</b>	Estaquick gun, 1.6 mm nozzle
<b>AEMD-600-FX-800</b>	Estaquick gun, 1.1 mm nozzle
<b>AEMD-600-FF-800</b>	Estaquick gun, 1.4 mm nozzle
<b>AEMD-4500-6</b>	Machine adapter
<b>AEMD-426X</b>	Robot Adapter
<b>AEMD-4250</b>	Simple Robot Adaptor
<b>80143-221</b>	9060 LV Controller



### Evolver 560

Part no.	
<b>A13758-0XXXXX</b>	Evolver 560, Single Head 60°
<b>A13758-2XXXXX</b>	Evolver 560, Dual Head 60°
<b>A13758-1XXXXX</b>	Evolver 560, Single Head 90°
<b>A13758-3XXXXX</b>	Evolver 560, Double Head 90°
<b>A13613-0014121210</b>	Micropak 2E Controller for Evolver 560





### Aerobell 168

Part no.	
<b>A13350-011301020301001</b>	Aerobell 168 65mm applicator complete with dual flex, machine mounting. No HV control/HV cable
<b>A13350-031302020301001</b>	Aerobell 168 30mm applicator complete with dual flex, machine mounting. No HV control/HV cable
<b>A13350-011301020301251</b>	Aerobell 168 65mm applicator complete with dual flex, machine mounting with HV control/7.5m HV cable
<b>A13350-031302020301251</b>	Aerobell 168 30mm applicator complete with dual flex, machine mounting with HV control/7.5m HV cable
<b>80143-XXX</b>	9060 LV Controller



### Aerobell 268

Part no.	
<b>A13657-XX01000XX</b>	Aerobell 268 65mm applicator complete with dual flex, machine mounting. 3 Colour/3 Dump (8 Valve)
<b>A13657-XX01002XX</b>	Aerobell 268 65mm applicator complete with dual flex, machine mounting. 1 Colour/1 Dump (4 Valve)
<b>A13657-XX03000XX</b>	Aerobell 268 30mm applicator complete with dual flex, machine mounting. 3 Colour/3 Dump (8 Valve)
<b>A13657-XX03002XX</b>	Aerobell 268 30mm applicator complete with dual flex, machine mounting. 1 Colour/1 Dump (4 Valve)
<b>80143-XXX</b>	9060 LV Controller



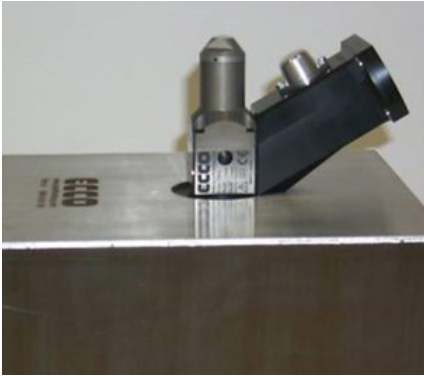
### RMA-560 Direct Charge

Part no.	
<b>A13782-0503211205221</b>	RMA560 65mm Dual flex shape air kit and single purge valve manifold assembly
<b>A13838-XX</b>	Tubing bundle direct charge - required for RMA-560 installation
<b>A13613-XX</b>	MicroPak 2e controller - required for RMA-560 installation

### Electrostatic Accessories

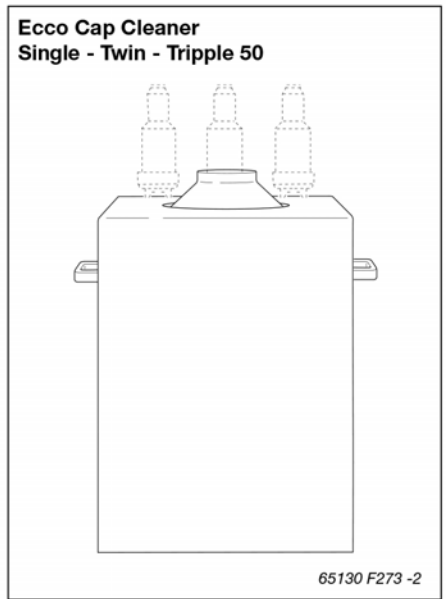
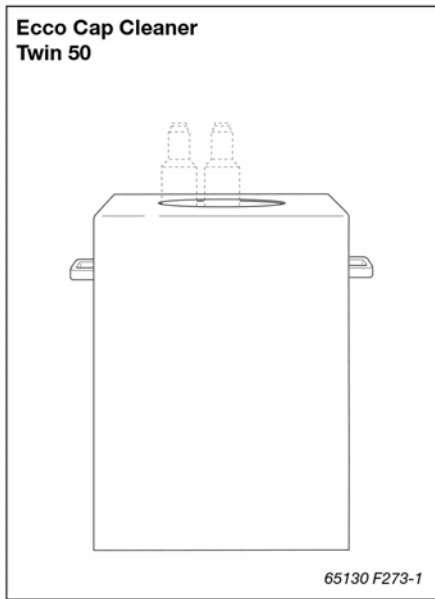
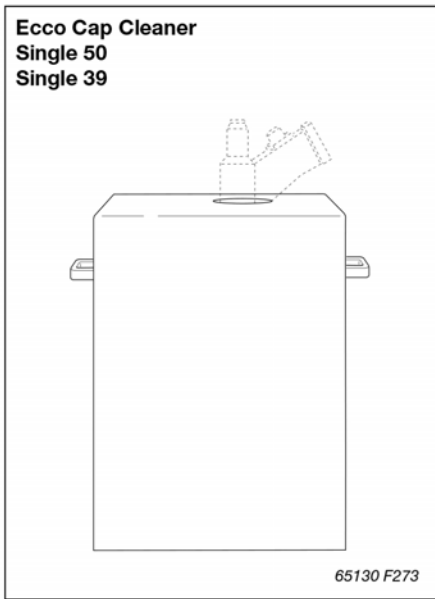


Part No.	Description
CCV-71XX-XXX	Colour Valve Assembly (other designs on request)
CCV-61XX-XXX	Colour Select System (other designs on request)
A10800-XXXXXX	MCV2 Valve Assemblies
A10993-XXXXXX	MCV2D Colour Change System
76652-03	Electrostatic test and measuring device
76652-04	Electrostatic test and measuring device Deluxe
LEPS-6010-01	Voltage Master 2 HV Package
A11515	Pulsetrack 2 Speed control and monitoring system



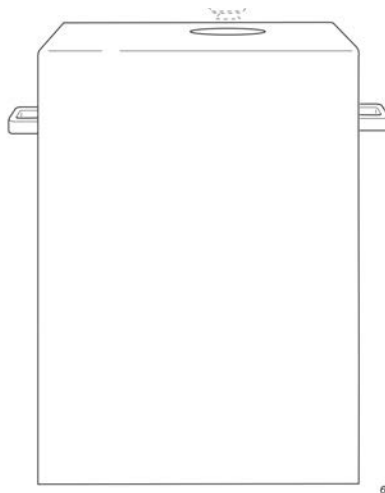
### Cap Cleaner

Part no.	Description
6004 0101 00	Cap Cleaner
6004 0101 39	Cap Cleaner



### Bell Cleaner

Part no.	Description
6004 0101 54	Bell Cleaner
6004 0101 56	Bell Cleaner



Pressure Feed Tanks and Cups



Part No.	Capacity		Description	Agitator type	Pressure max.	
	Litres	Gallons (US)			bar	(psi)
KB-522	2	0.5	Remote Cup aluminium	-	2.1	30
KB-622	2	0.5	Remote Cup aluminium incl. hose	-	2.1	30
KB-522-SS	2	0.5	Remote Cup stainless steel	-	2.1	30
80-600-CE	2	0.5	Steady-Grip stainless steel pressure cup with non-stick coating	-	0.7	10*
83C-210-CE	10	2.8	Zinc plated - carbon steel	-	5.5	80
83C-211-CE	10	2.8	Zinc plated - carbon steel	D	5.5	80
83Z-210-CE	10	2.8	Stainless steel lid and st st fluid passage	-	5.5	80
83Z-211-CE	10	2.8	Stainless steel lid and st st fluid passage	D	5.5	80
183S-210-CE	10	2.8	Fully stainless steel - electroplated	-	7.6	110
183S-211-CE	10	2.8	Fully stainless steel - electroplated	D	7.6	110
183S-212-CE	10	2.8	Fully stainless steel - electroplated	M	7.6	110
183S-213-CE	10	2.8	Fully stainless steel - electroplated	I	7.6	110
183S-1010-CE	40	11.8	Fully stainless steel - electroplated	-	7.6	110
183S-1012-CE	40	11.8	Fully stainless steel - electroplated	M	7.6	110
183S-1013-CE	40	11.8	Fully stainless steel - electroplated	I	7.6	110
183G-1010-CE	40	11.8	Galvanized - carbon steel	-	7.6	110
183G-1012-CE	40	11.8	Galvanized - carbon steel	M	7.6	110
183G-1013-CE	40	11.8	Galvanized - carbon steel	I	7.6	110
183S-1510-CE	60	19.8	Fully stainless steel - electroplated	-	7.6	110
183S-1512-CE	60	19.8	Fully stainless steel - electroplated	M	7.6	110
183S-1513-CE	60	19.8	Fully stainless steel - electroplated	I	7.6	110

- without agitator **D** = direct drive pneumatic agitator **M** = manual agitator **I** = Indirect air motor drive agitator

Pressure Tanks Recommended Spares & Accessories



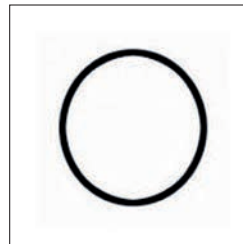
**PT-78-K60**  
Disposable Tank Liners - 10 Litres Pack of 60



**PTL-412-K8**  
Disposable Tank Liners - 40 Litres Pack of 8



**PT-78-K10**  
Disposable Tank Liners - 10 Litres Pack of 10



**QM-1458-1**  
Lid Gasket for 40 & 60 Litre Tanks



**HAR-511**  
Air Regulator



**183-3000**  
Bottom Outlet Kit for 10 litre tanks



**183-3001**  
Bottom Outlet Kit for 40 & 60 litre tanks

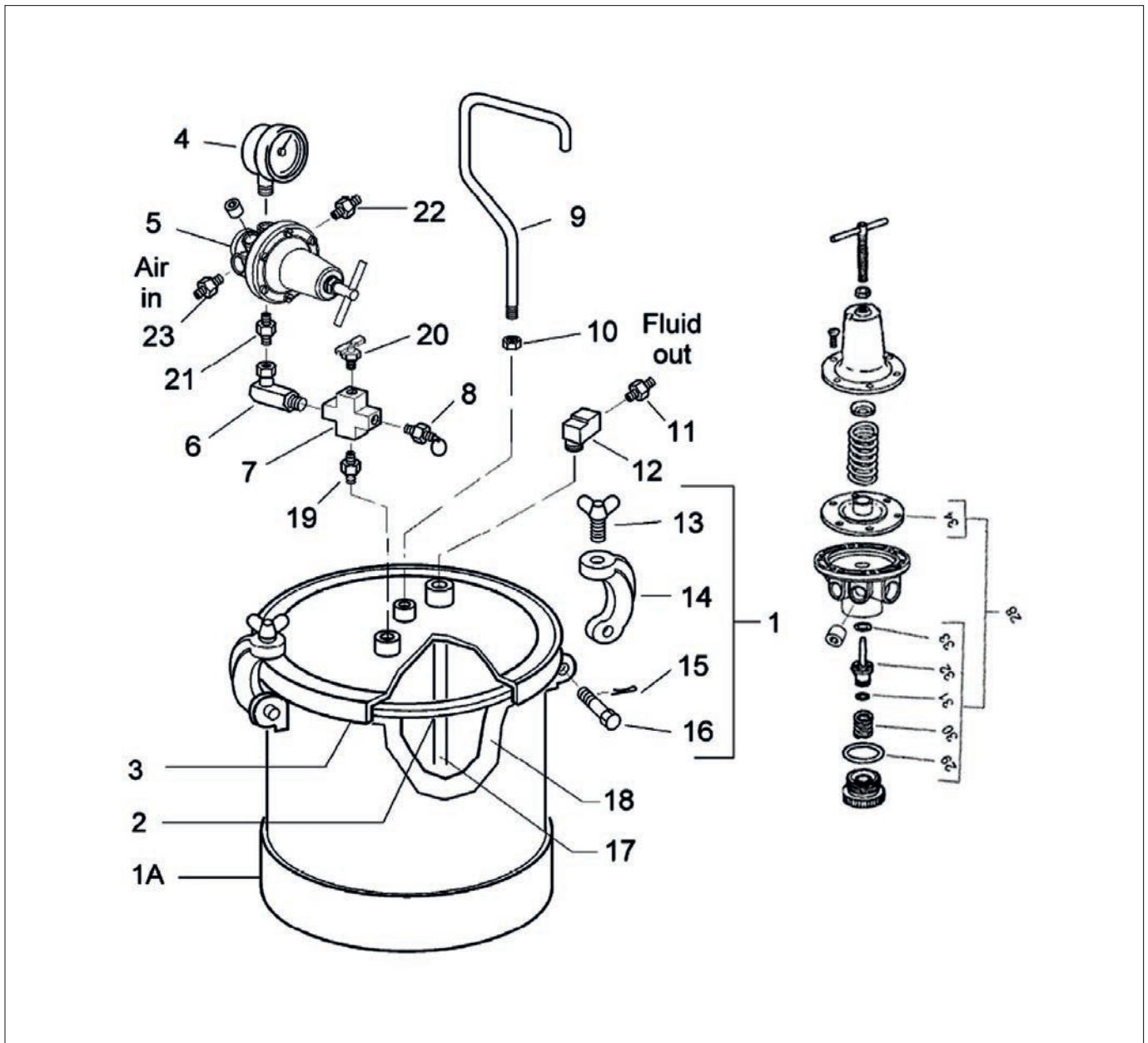


**QMS-436**  
2 Gun Connector

\* Kit 80-619 available to convert Steady Grip to High Pressure (50 PSI/3.5 Bar)

Please note when ordering pressure tanks please add **-B** to the part number if you require BSP fittings

83C-210 10L/2.8 gal tank (Galvanized)



Spare Parts

Ref.	Part no.	Description
1	PT-423	Tank Assy. Kit (Pos. 1a,13, 14, 15 + 16, Pack of 4)
1A	PT-420	Tank Shell
2	PT-33-1	Cover seal, Santoprene
3	PT-425	Lid for use with agitator
4	83-2727	Pressure gauge
5	HAR-511	Pressure regulator
6	SSP-30-ZN	Elbow 90°, 1/4" NPS (IG/AG)
7		Cross piece
8	TIA-5080-CE	Safety valve 5.5 bar
9	PT-32	Handle
10		Nut
11	AD-11	Double nipple 3/8" NPT
	2101007	Double nipple 3/8" NPT (M) x 3/8" BPS (M)
12	SSP-1939	Elbow 90°, 3/8" NPT (IG/AG)
13		Thumb screw (in Pos. 1 included)
14		Bracket (in Pos. 1 included)
15		Securing pin (in Pos. 1 included)
16		Hinge pin (in Pos. 1 included)
17	QMS-9-1	Material tube
18	PT-78-K10	Disposable liner (Pack of 10)
	PT-78-K60	Disposable liner (Pack of 60)

Ref.	Part no.	Description
19	SSP-462-ZN	Double nipple, 1/4" NPT (AG)
20	SS-2707	Air pressure relief valve
21	83-4233	Double nipple
	H-2008	Nipple 1/4" NPT X 1/4 NPS
	2101004	Nipple 1/4" NPT X 1/4 BSP
22	83-4233	Nipple 3/8" NPT X 1/4 NPS
23	2101005	Nipple 3/8" NPT X 1/4 NPS
28	KK-4977	Repair kit pressure regulator
+ 29		O-ring
+ 30		Spring
+ 31		O-ring
+ 32		Valve
+ 33		O-ring
+ 34		Diaphragm compl.

183G-1013 40L/11.8 gal tank (Galvanized)



Spare Parts

Ref.	Part no.	Description
1	<b>QMS-46</b>	Retaining Nut
2	<b>QMG-85</b>	Thrust Washer
3		Thrust Collar
4	—	Set Screw (5/16-18 x 3/8)
5	<b>QMS-447</b>	Thrust Collar Kit (inc 4 & 5)
6	<b>QMG-409</b>	Bearing Assy-Plain Steel
7	<b>SSG-8184-K2</b>	O-ring (Pack of 2)
8		Shaft Seal
9		Internal Retaining Ring
10	<b>KK-5042</b>	Shaft seal kit
11	<b>QMG-19</b>	Plug (Non-agitated Models Only)
12	<b>TIA-4110-CE</b>	Safety Valve Assy 110 psi
13	<b>QMG-21</b>	Air manifold
14	<b>SS-2707</b>	Air relief valve
15	<b>83-524-K</b>	Fill Port Cap (inc Item 16)
16	<b>83-1207-K5</b>	Fill Port Cap Gasket
17		Street Elbow, 3/8-18 NPT (Brass)
18	<b>VA-540</b>	Ball Valve, 3/8 NPS Outlet
19	<b>QMG-402-1</b>	Tank Lid
20	<b>QM-1458-1</b>	Tank Gasket
21		Plug, 1/2-14 NPT (Plated Steel)
22	<b>QMG-33</b>	Fluid Tube
23	<b>QMG-29</b>	Agitator Shaft
24		Agitator Paddle

Ref.	Part no.	Description
25		Soc Head Cap Screw, 5/16-18 x 1-1/4, S.S
26	<b>QMS-444</b>	Agitator Paddle Kit (inc 24 & 24)
27		Stationery Paddle
28	<b>QMS-455</b>	Stationery Paddle Kit (inc 25 & 27)
29	<b>PTL-412-K8</b>	Disposable Tank Liner, 10-Gal
30	<b>QM-1352-CE</b>	Thumb Screw (See item 34)
31	<b>SN-2404-ZN</b>	Cotter Pin, 1/8" Dia. x 1" LG. (See item 34)
32	<b>QMG-38-CE</b>	Clevis Pin (See item 34)
33	<b>QMG-9-CE</b>	Clamp (See item 34)
35	<b>QMG-510-1</b>	Tank & Lug Assy, 10 Gal
36		Bottom Plug
37	<b>HA-57011</b>	Air Hose Assy (incl with item 39)
38	<b>85-470</b>	Air Control - Non Agitated Tanks
	<b>85-471</b>	Air Control - With Agitators
39	<b>31-452-CE</b>	Air Motor/Gearbox Drive
40	<b>CT-453</b>	1/4 inch NPSM to 1/4 inch BSP adapter (only with BSP models supplied)
41	<b>CT-454</b>	3/8 inch NPSM to 3/8 inch BSP adapter (only with BSP models supplied)
	<b>KK-4977</b>	Regulator Repair kit

### Binks/DeVilbiss Pneumatic Agitators



QS-575



QMS-431-CE



QMS-430-CE



31-452-CE

Part no.	Description
<b>41-3312</b>	25L ST ST Agitator assembly, 1 propeller, 80 mm diameter, shaft length 350 mm
<b>41-3312-S</b>	25L ST ST Agitator assembly, 1 propeller, 80 mm diameter, shaft length 305 mm
<b>QS-PS80TP20L</b>	205L ST ST Agitator assembly, 2propeller, 200 mm diameter, shaft length 800 mm with IEC 71 Geared Pneumatic drive - long life
<b>QS-PS80TP20K</b>	205L ST ST Agitator assembly, 2propeller, 200 mm diameter, shaft length 800 mm with Geared Pneumatic drive
<b>QS-576-H</b>	205L ST ST Direct Drive Agitator assembly for drum mounting, 1,500 r.p.m shaft length 760 mm
<b>QS-575</b>	205L ST ST Direct Drive Agitator assembly for drum mounting, 1,500 r.p.m, shaft length 900 mm
<b>QS-574-H</b>	205L ST ST Direct Drive Agitator assembly for drum mounting, 1,500 r.p.m, shaft length 1,135 mm

### Agitators used on Binks Pressure Tanks

Part no.	Description
<b>QMS-431-CE</b>	10L Pressure Tank ST ST agitator assembly, 1 propeller, 172mm diameter, shaft length 406 mm (without drive)
<b>QMS-433-CE</b>	40L Pressure Tank ST ST agitator assembly, 1 propeller, 203 mm diameter, shaft length 635 mm (without drive)
<b>QMS-434-CE</b>	60L Pressure Tank ST ST agitator assembly, 1 propeller, 203 mm diameter, shaft length 889 mm (without drive)
<b>QMS-430-CE</b>	10L Pressure Tank ST ST agitator assembly
<b>PT-419-CE</b>	Replacement Agitator shaft and impellor used with PT-427-CE
<b>PT-428</b>	Replacement Agitator shaft and impellor used with PT-418-CE

### Accessories

Part no.	Description
<b>31-452-CE</b>	Pressure Tank air motor agitator drive, 15:1 gear reduction, 166 RPM
<b>31-124</b>	205L Drum cover, diameter 609.6 mm includes 3 holes for components
<b>PT-427-CE</b>	Direct Drive Air Motor and adaptor for 83Z tanks
<b>PT-418-CE</b>	Direct Drive Air Motor and adaptor for 83C tanks





**QS-ES100P30D**

### Binks Electric Agitators

Part no.	Description
<b>QS-ES80TP20D</b>	205L ST ST Agitator assembly, 2propeller, 200 mm diameter, shaft length 800 mm with IEC 71 Electric Inverter Drive
<b>QS-ES100P30D</b>	205L ST ST Agitator assembly, 1 propeller, 300 mm diameter, shaft length 1000 mm with IEC 71 Electric Inverter Drive
<b>QS-ES40P12C</b>	25L ST ST Agitator assembly, 1 propeller, 120 mm diameter, shaft length 400 mm with IEC 71 Electric Fixed Speed

<b>Premium Elevators 25L</b>	Maximum Working Pressure	Air Inlet	Stroke	Maximum Drum Diameter	Unit height (fully extended)	Weight
	7 Bar (100 psi)	G1/2" BSPP Female	500mm (19.7")	Ø340mm (13.4")	1378mm (54.3")	51kg (112 lbs)

Part No.	Control Mount	Controls		Lid	Agitator	Agitator Type	ST ST Suction Tube	Pump	Hose Management		Optional Extras
		Agitator Safety - Electric (E) or Pneumatic (P)	Controls - Agitator (A), Pump (P) or Both (AP)	25L Lid	Agitator				Coiled Hose	Flexible Conduit	
DE-05BB	R/H	-	-	Blank							
DE-05CD06BN	R/H	P	A	Inspection Hatch	41-3312	Pneumatic Direct Drive	1/2"		Single 8mm		
DE-05DD06LP-02	R/H	P	AP	Inspection Hatch	41-3312	Pneumatic Direct Drive	1/2"	DX200SN-1	Double 8mm		1/2" BSPP ST ST Return Tube
DE-05KB	L/H	-	-	Blank							
DE-05PC11CL-00B	L/H	E	A	Inspection Hatch	QS-ES40P12C	Electric Fix Speed	3/4"			Single 50mm	25L Drum positioning with proximity switch
DE-05MD06LP	L/H	P	AP	Inspection Hatch	41-3312	Pneumatic Direct Drive	1/2"	DX200SN-1	Double 8mm		
DE-05DE06QP	R/H	P	AP	Small Hatch	41-3312	Pneumatic Direct Drive	1/2"	DX200-3SN-1	Double 8mm		
DE-05CD06AN	R/H	P	AP	Inspection Hatch	41-3312	Pneumatic Direct Drive			Single 8mm		
DE-05CD06BP	R/H	P	A	Inspection Hatch	41-3312	Pneumatic Direct Drive	1/2"		Double 8mm		



DE-05DD06LP-02

<b>Premium Elevators 205L</b>	<b>Maximum Working Pressure</b> 7 Bar (100 psi)	<b>Air Inlet</b> G1/2" BSPP Female	<b>Stroke</b> 955mm (37.6")	<b>Maximum Drum Diameter</b> Ø640mm (25.2")	<b>Unit height (fully extended)</b> 2268mm (89.3")	<b>Weight</b> 70kg (154 lbs)
-------------------------------	--	---------------------------------------	--------------------------------	--	---	---------------------------------

Part No.	Controls		Lid	Agitator	Suction Hose/Pump		Hose Management	Optional Extras		
	Control Mount	Agitator Safety - Electric (E) or Pneumatic (P)	Controls - Agitator (A), Pump (P) or Both (AP)	205L Lid	Agitator	Agitator Type	ST ST Suction Tube	Pump	Coiled Hose	Cable Carrier
DE-10BK	R/H	-	-	Blank						
DE-10MM03NF-04	L/H	P	AP	Insp. Hatch	QS-PS80TP20L	Pneumatic EU IEC Longlife	1/2"	DX200SN-1	Double 8mm	1/2" BSPP Return tube through lid
DE-10CL02DE	R/H	P	A	Hatch + Reinforced	QS-PS80TP20K	Pneumatic	3/4"		Single 8mm	
DE-10CM05DE	R/H	P	A	Insp. Hatch	QS-576-H	Pneumatic Direct Drive	3/4"		Single 8mm	
DE-10PL01EB	L/H	E	A	Hatch + Reinforced	QS-ES80TP20D	Electric EU IEC Inverter	1"			Yes
DE-10CL02DD	R/H	P	A	Hatch + Reinforced	QS-PS80TP20K	Pneumatic EU IEC Standard	3/4"		Double 50mm Flexible Conduit	
DE-10BL00EC-04	R/H	-	-	Insp. Hatch			1"		Single 50mm Flexible Conduit	1/2" BSPP Return tube through lid
DE-10GL01PD-04	R/H	E	AP	Hatch + Reinforced	QS-ES80TP20D	Electric EU IEC Inverter	1/2"	DX200-3SN-1	Double 50mm Flexible Conduit	1/2" BSPP Return tube through lid



DE-10CM05DE

## DX70 Air Operated 1:1 Ratio Diaphragm Pumps



DX70R-FF-3



DX70R3-CFG



DX70R3-TF



DX70R3-WF



DX70R3-PFA

Part no.	Description
DX70R-FF	Bare DX70 standard pump with fluid regulator, female inlet/outlet
DX70R-FF-3	Bare DX70 standard pump with fluid regulator, female inlet/outlet with 3 air regulators
DX70R-MM	Bare DX70 standard pump with fluid regulator, male inlet/outlet
DX70R-MM-3	Bare DX70 standard pump with fluid regulator, male inlet/outlet with 3 air regulators
DX70N-FF	Bare DX70 pump no fluid regulator, female inlet/outlet

Part no.	Description
DX70R3-CF	Cart mounted standard pump with fluid regulator
DX70R3-CF2	Cart mounted standard pump with fluid regulator, twin outlet
DX70N2-CF	Cart mounted pump no fluid regulator
DX70R3-CFG	Cart mounted standard pump with fluid regulator and 6L gravity hopper

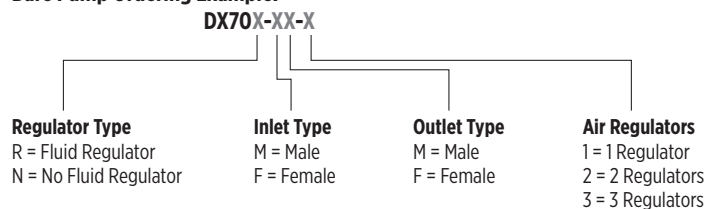
Part no.	Description
DX70R3-TF	Tripod mounted standard pump with fluid regulator
DX70R3-TF2	Tripod mounted standard pump with fluid regulator, twin outlet
DX70N2-TF	Tripod mounted pump no fluid regulator
DX70R3-TFG	Tripod mounted standard pump with fluid regulator and 6L gravity hopper

Part no.	Description
DX70R3-WF	Wall mounted standard pump with fluid regulator
DX70R3-WF2	Wall mounted standard pump with fluid regulator, twin outlet
DX70N2-WF	Wall mounted pump no fluid regulator
DX70R3-WFG	Wall mounted standard pump with fluid regulator and 6L gravity hopper

Part no.	Description
DX70R3-PF	25 litre pail* mounted standard pump with fluid regulator
DX70N2-PF	25 litre pail* mounted pump no fluid regulator
DX70R3-PFA	25 litre pail* mounted standard pump with fluid regulator and agitator

\* Pail not included

### Bare Pump Ordering Example:





DX70R3-TF-FLG5

DX70 Spray Outfits with Guns

Part no.	Description
<b>DX70R3-TF-FLG5</b>	Tripod-mounted pump outfit with FLG5 Trans-Tech spray gun (1.4mm tip with 622 air cap)

Part no.	Description
<b>DX70R3-TF-ADV</b>	Tripod-mounted pump outfit with Advance HD Trans-Tech spray gun (1.4mm tip with 510 air cap)



DX70R3-TF-ADV

Part no.	Description
<b>DX70R3-CF-FLG5</b>	Cart-mounted pump outfit with FLG5 Trans-Tech spray gun (1.4mm tip with 622 air cap)

Part no.	Description
<b>DX70R3-CF-ADV</b>	Cart-mounted pump outfit with Advance HD Trans-Tech spray gun (1.4mm tip with 510 air cap)

The DX70 spray outfits are available with either Advance HD or FLG-5 Trans-Tech® or Conventional spray Outfits are delivered with 7.5 metres of air and fluid hoses and are ready to spray apart from connecting the hoses as necessary.

DX70 Accessories & Spares Kits



DX70R3-CF-FLG5

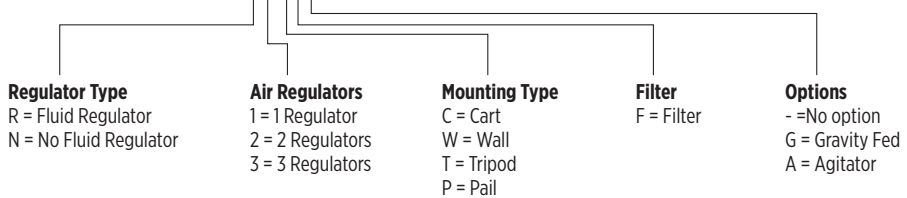
Part no.	Description
<b>DXK-1</b>	Check valve seals kit
<b>DXK-2</b>	Check valve spares kit
<b>DXK-3</b>	Diaphragm spares kit
<b>DXK-4</b>	Shaft & Seal spares kit
<b>DXK-14</b>	Air valve spares kit
<b>DXK-15</b>	Fluid regulator spares kit
<b>41-3312-S</b>	Agitator - 305mm shaft
<b>DXA-AF</b>	Air supply hose assembly for use with 41-3312-S agitator
<b>DVX-116</b>	DX70 Pail lid for use with 41-3312-S and DXA-AF, 330mm diameter
<b>DXA-RP</b>	Fluid regulator full pressure flush valve assembly



DX70R3-CF-ADV

Outfit Ordering Example Excluding Guns:

DX70XX-XXX



DX70N-FF-2\*

<b>DX200 Aluminium</b>	Pressure ratio 1:1	Volume per cycle 0.2 l	Max. flow capacity 12 l/min.	Operating pressure max. 7 bar	Material Aluminium
------------------------	-----------------------	---------------------------	---------------------------------	----------------------------------	-----------------------

Bare DX200 Pump Air & Fluid Connections are:-

Air inlet connection: 1/4" Female BSPP/NPSM

Fluid Inlet connection: 3/4" Female BSPP

Fluid Outlet (pump) connection: 3/4" Female BSPP



DX200AN



DX200AR4-WF



DX200AR1-W

DX200 Aluminium Part No.	Bare Pump	Tripod Mounting	Wall Mounting	Cart Mounting	Pail Mounting	Pump Air Controls	Gun Air Controls	Fluid Regulator	Suction Hose	Gravity Hopper 6L	Fluid Filter*	Agitator	PU Balls & Seats
DX200AN	•												
DX200AN-W	•		•										
DX200AN-1	•					1							
DX200AM	•							M*					
DX200AR	•							•					
DX200AR-2	•					2		•					
DX200AR-3	•					3	1	•					
DX200AR3-C	•			•		2	1	•	•				
DX200AR3-CF	•			•		2	1	•	•		L		
DX200AR4-CF	•			•		2	2	•	•		L		
DX200AR3-T	•	•				2	1	•	•				
DX200AN1-W	•		•			1			•				
DX200AN22-W	•		•			1	1		•				
DX200AR2-W	•		•			2		•	•				
DX200AR3-W	•		•			2	1	•	•				
DX200AR3-WF	•		•			2	1	•	•		L		
DX200AR3-WFG	•		•			2	1	•	•	•	S		
DX200AN1-P	•				•	1							
DX200AR3-PFA	•				•	2	1				S	•	
DX200AEN1-C	•			•		1			•				•
DX200AEN1-W	•		•			1							•
DX200AEN22-C	•			•		1	1		•				•
DX200AEN22-W	•		•			1	1		•				•
DX200AN22-CF	•			•		1	1		•		L		
DX200AN22-WF	•		•			1	1		•		L		
DX200AN32-CF	•			•		1	2		•		L		
DX200AN32-WF	•		•			1	2		•		L		
DX200AR3-CFG	•			•		2	1		•	•	S		
DX200AR4-WF	•		•			2	2		•		L		

\* Manual Fluid Regulator

L = Large Fluid Filter - DXA-F6ME100-200

S = Small Fluid Filter - DXA-F10ME100-200G/DXA-F10ME100-200P

DX200 ST ST	Pressure ratio	Volume per cycle	Max. flow capacity	Operating pressure max.	Material
	1:1	0.2 l	12 l/min.	7 bar	ST ST

Bare DX200 Pump Air & Fluid Connections are:-

Air inlet connection: 1/4" Female BSPP/NPSM

Fluid Inlet connection: 1/2" Female BSPP

Fluid Outlet (pump) connection: 1/2" Female BSPP



DX200SN



DX200SR3-T



DX200SR3-W

DX200 ST ST Part No.	Bare Pump	Wall Mounting	Cart Mounting	Pump Air Controls	Gun Air Controls	Fluid Regulator	Suction Hose	Gravity Hopper 6L	Fluid Filter*	Active Surge Chamber	PU Balls & Seats
DX200SN*	•										
DX200SN-W	•	•									
DX200SR	•										
DX200SR-3	•			2	1	•	•				
DX200SP22-CF	•		•	1	1		•		L	•	
DX200SR3-C	•		•	2	1	•	•				
DX200SR3-CF	•		•	2	1	•	•		L		
DX200SN1-W	•	•		1			•				
DX200SR2-W	•	•		2		•	•				
DX200SR2-WF	•	•		2		•	•		L		
DX200SR3-W	•	•		2	1	•	•				
DX200SR3-WF	•	•		2	1	•	•		L		
DX200SR3-WFG	•	•		2	1	•	•	•	S		
DX200SR4-WF	•	•		2	2	•	•		L		
DX200SP1-W	•	•		1			•			•	
DX200SP1-WF	•	•		1			•		L	•	
DX200SP22-WF	•	•		1	1		•		L	•	
DX200SENI-C	•		•	1			•				•
DX200SENI-W	•	•		1			•				•
DX200SEN22-C	•		•	1	1		•				•
DX200SEN22-W	•	•		1	1		•				•
DX200SEP1-W	•	•		1			•			•	•
DX200SEP22-C	•		•	1	1		•			•	•
DX200SEP22-W	•	•		1	1		•			•	•
DX200SR3-CFG	•		•	2	1	•	•	•	S		
DX200SR4-CF	•		•	2	2	•	•		L		
DX200SP22-CF	•		•	1	1		•		L	•	•
DX200SR-2	•			2		•					
DX200SN32-CF	•		•	1	2		•		L		
DX200SN32-WF	•	•		1	2		•		L		

L = Large Fluid Filter - DXA-F6ME100-200  
S = Small Fluid Filter - DXA-F10ME100-200G

<b>DX200 3:1</b>	Pressure ratio <b>3:1</b>	Volume per cycle <b>0.14 l</b>	Max. flow capacity <b>5.6 l/min.</b>	Operating pressure max. <b>21 bar</b>	Material <b>ST ST</b>
------------------	------------------------------	-----------------------------------	---	--	--------------------------

**DX200 Pump Air & Fluid Connections are:-**

**Air inlet connection:** 1/4" Female BSPP/NPSM

**Fluid Inlet connection:** 1/2" Female BSPP

**Fluid Outlet (pump) connection:** 1/2" Female BSPP



DX200-3SM1-C



DX200-3SN1-C



DX200-3SP1-C

DX200 3:1 ST ST Part No.	Bare Pump	Wall Mounting	Cart Mounting	Pump Air Controls	Manual Fluid Regulator	Suction Hose	Fluid Filter	Active Surge Chamber
DX200-3SM	•				•			
DX200-3SM1-W	•	•		1	•	•		
DX200-3SM1-WF	•	•		1	•	•	•	
DX200-3SM1-C	•		•	1	•	•		
DX200-3SM1-CF	•		•	1	•	•	•	
DX200-3SN	•							
DX200-3SN1-W	•	•		1		•		
DX200-3SN1-WF	•	•		1		•	•	
DX200-3SN1-C	•		•	1		•		
DX200-3SN1-CF	•		•	1		•	•	
DX200-3SP	•							•
DX200-3SP1-W	•	•		1		•		•
DX200-3SP1-WF	•	•		1		•	•	•
DX200-3SP1-C	•		•	1		•		•
DX200-3SP1-CF	•		•	1		•	•	•





1" Transfer pump

Part no.	Material	Pressure ratio
41-818820	Aluminium	1:1



1" Transfer pump

Part no.	Material	Pressure ratio
41-818822	Stainless Steel	1:1
41-818823*	Stainless Steel	1:1

\*BSP Fittings



1 1/2" Transfer pump

Part no.	Material	Pressure ratio
41-818810	Stainless Steel	1:1



Maple 15/3 pump

Part no.	Material	Configuration	Pressure ratio
104009-N	Stainless Steel	With 3/4" NPT Fittings	3:1
104009-CBI	Stainless Steel	Bottom Inlet, Top Outlet, Centred	3:1
104009-BI	Stainless Steel	Bottom Inlet	3:1
104009-F	Stainless Steel	Foot Mounted	3:1



Maple 15/3 AFP pump

Part no.	Material	Pressure ratio
104129	Stainless Steel	3:1

Suitable for pigging systems



### Maple 15/6 pump

Part no.	Material	Pressure ratio
104205	Stainless Steel	6:1



### Maple 30/3 pump

Part no.	Material	Configuration	Pressure ratio
104010	Stainless Steel		3:1
104010-N	Stainless Steel	With 1" NPT Fittings	3:1
104010-CM	Stainless Steel	Centred Inlet/Outlet	3:1



### Maple 60/3 pump

Part no.	Material	Configuration	Pressure ratio
104020-M2	Stainless Steel		3:1
104020-BI	Stainless Steel	Bottom Inlet	3:1



### Maple 120/3

Part no.	Material	Configuration	Pressure ratio
104265-HE	Stainless steel		3:1
104265-PE	Stainless steel		3:1

### Maple 7/7 pump

Part no.	Material	Pressure ratio
104040	Stainless Steel	7:1



### Maple 7/15 pump

Part no.	Material	Pressure ratio
104041	Stainless Steel	15:1
104147	ST ST for acids	15:1



Maple 8/25 pump

Part no.	Material	Pressure ratio
104042	Stainless Steel	25:1

Maple 15/25

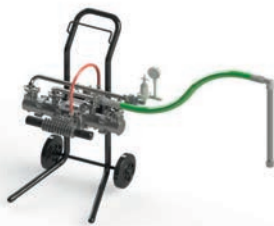
Part no.	Material	Configuration	Pressure ratio
104266-HE	Stainless steel		25.1
104266-PE	Stainless steel		25.1

Maple 7/15 Paint Stripper Acid pump outfit



Part no.	Material	Pressure ratio	Package Contents
104149	Stainless Steel	15:1	1 x gun outlet and 25I suction lance
104150	Stainless Steel	15:1	2 x gun outlets and 25I suction lance
104151	Stainless Steel	15:1	1 x gun outlet and 205I suction lance
104152	Stainless Steel	15:1	2 x gun outlets and 205I suction lance

Maple 15/3 Packages



Part No.	Manual Fluid Regulator*	Wall Mounting	Cart Mounting	Filter	25L Suction Lance	Air Regulators
104207		•			•	1
104208			•		•	1
104209			•	•	•	1
104210		•		•	•	1
104211	•	•			•	1
104212	•		•		•	1
104213	•		•	•	•	1
104214	•	•		•	•	1
104215*			•	•	•	1

\* Uses the Maple 15/3 AFP Pump



### E2-7 Smart pump

Part No.	Max. Fluid Pressure	Max. Inlet Pressure	Fluid Output @ 80hz (40 cycles/min)	PRV Equipped
104199	20 bar	2 bar	7 l/min	104167



### E2-15 Smart pump

Part No.	Max. Fluid Pressure	Max. Inlet Pressure	Fluid Output @ 80hz (40 cycles/min)	PRV Equipped
104017	20 bar	2 bar	15 l/min	104167



### E2-15 AFP Smart pump

Part No.	Max. Fluid Pressure	Max. Inlet Pressure	Fluid Output @ 80hz (40 cycles/min)	PRV Equipped
104125	20 bar	2 bar	15 l/min	N/A

Suitable for pigging systems



### E2-30 Smart pump

Part No.	Max. Fluid Pressure	Max. Inlet Pressure	Fluid Output @ 80hz (40 cycles/min)	PRV Equipped
107071	20 bar	2 bar	30 l/min	104201



### E2-40 Smart pump

Part No.	Max. Fluid Pressure	Max. Inlet Pressure	Fluid Output @ 80hz (40 cycles/min)	PRV Equipped
107093	16 bar	2 bar	40 l/min	104168



E2-60 Smart pump

Part No.	Max. Fluid Pressure	Max. Inlet Pressure	Fluid Output @ 80hz (40 cycles/min)	PRV Equipped
104085	20 bar	2 bar	60 l/min	104168



E4-60 Smart pump

Part No.	Max. Fluid Pressure	Max. Inlet Pressure	Fluid Output @ 80hz (40 cycles/min)	PRV Equipped
107070	20 bar	2 bar	60 l/min	104111-E4



E4-100 Smart pump

Part No.	Max. Fluid Pressure	Max. Inlet Pressure	Fluid Output @ 80hz (40 cycles/min)	PRV Equipped
104233	20 bar	2 bar	100l/min	104253-E4



EV2-30 Vertical Smart Pump

Part No.	Max. Fluid Pressure	Max. Inlet Pressure	Fluid Output @ 80hz (40 cycles/min)	PRV Equipped
104226	20 bar	2 bar	30 l/min	104168



EV2-15

Part no.	Max. Fluid Pressure	Max. Inlet Pressure	Fluid Output @ 80hz (40 cycles/min)	PRV Equipped
104274	20 bar	2 bar	14 l/min	

MXL 12/05	Pressure ratio	Volume per cycle	Max. flow capacity	Operating pressure max.	Piston stroke
	5:1	72 cm <sup>3</sup>	12 l/min.	39 bar	75 mm

The MXL12/05 consists of air motor AX55S and fluid pump FX12.

These pumps are supplied with PTFE/UHMWPE pump packings as standard for further options please see service bulletin.

**MXL Pump Air & Fluid Connections are:-**

**Air inlet connection:** 3/8" Female BSP

**Fluid Inlet connection:** 1/2" Male NPS

**Fluid Outlet (pump) connection:** 3/8" Male NPS/BSP

**Fluid outlet on supplied adaptor/H.P. filter:** 1/4" Male NPS

**Supply for AAA:** Ø 8x6mm hose push fit



MXL1205PU

MX Lite Part No.	Nominal Flow Rate	Packings	Wall Mounting	Cart Mounting	Controls	Suction Hose	Fluid Filter	AA4400M Gun + Hose
MXL1205UCU	4.3 l/m	U-Cups/UHMWPE						
MXL1205UCU-C-AC	4.3 l/m	U-Cups/UHMWPE		•	AAA	•		
MXL1205UCU-C-ACG	4.3 l/m	U-Cups/UHMWPE		•	AAA	•		•
MXL1205UCU-C-F-AC	4.3 l/m	U-Cups/UHMWPE		•	AAA	•	•	
MXL1205UCU-C-F-ACG	4.3 l/m	U-Cups/UHMWPE		•	AAA	•	•	•
MXL1205UCU-W-AC	4.3 l/m	U-Cups/UHMWPE	•		AAA	•		
MXL1205UCU-W-ACG	4.3 l/m	U-Cups/UHMWPE	•		AAA	•		•
MXL1205UCU-W-F-AC	4.3 l/m	U-Cups/UHMWPE	•		AAA	•	•	
MXL1205UCU-W-F-ACG	4.3 l/m	U-Cups/UHMWPE	•		AAA	•	•	•

**MXL 12/05 Ordering Example:**

**MXL1205A-B-C-D**

**A - Packings**

UC = U-Cups

UCU = U-Cups/UHMWPEPE

**B - Mounting Type**

C = Cart

W = Wall

**C - Options**

= No Filter

F = Filter

**D - Technology**

AC = Air Assisted Airless Controls

ACG = AAA with AA4400M Spray Gun + 7.5 m hoses

MXL 4/12	Pressure ratio	Volume per cycle	Max. flow capacity	Operating pressure max.	Piston stroke
	12:1	24 cm <sup>3</sup>	4.0 l/min. (20 cycles/min)	96 bar	75 mm

The MXL4/12 consists of air motor AX 55 and fluid pump FX4.

These pumps are supplied with PTFE/UHMWPE pump packings as standard for further options please see service bulletin.

**MXL Pump Air & Fluid Connections are:-**

**Air inlet connection:** 3/8" Female BSP

**Fluid Inlet connection:** 1/2" Male NPS

**Fluid Outlet (pump) connection:** 3/8" Male NPS/BSP

**Fluid outlet on supplied adaptor/H.P. filter:** 1/4" Male NPS

**Supply for AAA:** Ø 8x6mm hose push fit



MXL412PU-C-F-AC

MX Lite Part No.	Nominal Flow Rate	Tripod Mounting	Wall Mounting	Cart Mounting	Controls	Suction Hose	Gravity Hopper 6L	Fluid Filter	AA4400M Gun + Hose	A75 Gun + Hose
MXL412PU-T-AC	1.4 l/m	●			AAA	●				
MXL412PU-T-F-AC	1.4 l/m	●			AAA	●	●			
MXL412PU-T-ACG	1.4 l/m	●			AAA	●		●		
MXL412PU-T-F-ACG	1.4 l/m	●			AAA	●	●	●		
MXL412PU-W-AC	1.4 l/m		●		AAA	●				
MXL412PU-W-F-AC	1.4 l/m		●		AAA	●	●			
MXL412PU-W-ACG	1.4 l/m		●		AAA	●		●		
MXL412PU-W-F-ACG	1.4 l/m		●		AAA	●	●	●		
MXL412PU-C-AC	1.4 l/m			●	AAA	●				
MXL412PU-C-F-AC	1.4 l/m			●	AAA	●	●			
MXL412PU-C-ACG	1.4 l/m			●	AAA	●		●		
MXL412PU-C-F-ACG	1.4 l/m			●	AAA	●	●	●		

All MXL4/12 outfits ordered with gun and hoses will include 7.5m of Binks SuperFlex hose (1/8" bore) as standard, other hoses are available on request.



H-7507-75-SF  
Binks Superflex Hose

**MXL 4/12 Ordering Example:**

**MXL412A-B-C-D**

**A - Packings**

- PU = PTFE/UHMWPE - Standard
- PL = PTFE/Leather
- PP = PTFE/PTFE
- UC = U-Cups

**B - Mounting Type**

- W = Wall
- C = Cart
- T = Tripod

**C - Options**

- = No Filter
- F = Filter

**D - Technology**

- AC = Air Assisted Airless Controls
- ACG = AAA with AA4400M Spray Gun + 7.5 m hoses

<b>MXL 12/12</b>	Pressure ratio	Volume per cycle	Max. flow capacity	Operating pressure max.	Piston stroke
	12:1	72 cm <sup>3</sup>	12.0 l/min. (20 cycles/min)	96 bar	75 mm

The MXL12/12 consists of air motor AX 85 and fluid pump FX12

These pumps are supplied with PTFE/UHMWPE pump packings as standard for further options please see service bulletin.

**MXL Pump Air & Fluid Connections are:-**

**Air inlet connection:** 3/8" Female BSP

**Fluid Inlet connection:** 1/2" Male NPS

**Fluid Outlet (pump) connection:** 3/8" Male NPS/BSP

**Fluid outlet on supplied adaptor/H.P. filter:** 1/4" Male NPS

**Supply for AAA:** Ø 8x6mm hose push fit



MXL1212PU-C-AC

MX Lite Part No.	Nominal Flow Rate	Tripod Mounting	Wall Mounting	Cart Mounting	Controls	Suction Hose	Gravity Hopper 6L	Fluid Filter	AA4400M Gun + Hose	A75 Gun + Hose
MXL1212PU-W-AC	4.3 l/m		●		AAA	●				
MXL1212PU-W-ACG	4.3 l/m		●		AAA	●			●	
MXL1212PU-W-F-ACG	4.3 l/m		●		AAA	●		●	●	
MXL1212PU-C-AC	4.3 l/m			●	AAA	●				
MXL1212PU-C-ACG	4.3 l/m			●	AAA	●			●	
MXL1212PU-C-F-ACG	4.3 l/m			●	AAA	●		●	●	

All MXL1212 outfits ordered with gun and hoses will include 7.5m of Binks hose (3/16" bore) as standard, other hoses are available on request.



H-7507-75

**MXL12/12 Ordering Example:**

**MXL1212A-B-C-D**

**A - Packings**

PU = PTFE/UHMWPE - Standard

PL = PTFE/Leather

PP = PTFE/PTFE

UC = U-Cups

**B - Mounting Type**

W = Wall

C = Cart

**C - Options**

= No Filter

F = Filter

**D - Technology**

AC = Air Assisted Airless Controls

ACG = AAA with AA4400M Spray Gun + 7.5 m hoses



<b>MXL 4/32</b>	Pressure ratio	Volume per cycle	Max. flow capacity	Operating pressure max.	Piston stroke
	32:1	24 cm <sup>3</sup>	4.0 l/min. (20 cycles/min)	256 bar	75 mm

The MXL4/32, consists of air motor AX 85 and fluid pump FX4.

These pumps are supplied with PTFE/UHMWPE pump packings as standard for further options please see service bulletin.

**MXL Pump Air & Fluid Connections are:-**

**Air inlet connection:** 3/8" Female BSP

**Fluid Inlet connection:** 1/2" Male NPS

**Fluid Outlet (pump) connection:** 3/8" Male NPS/BSP

**Fluid outlet on supplied adaptor/H.P. filter:** 1/4" Male NPS

**Supply for AAA:** Ø 8x6mm hose push fit



MXL432PU-T-FG-ACG



MXL432PU-W-F-ACG

MX Lite Part No.	Nominal Flow Rate	Tripod Mounting	Wall Mounting	Cart Mounting	Controls	Suction Hose	Gravity Hopper 6L	Fluid Filter	AA4400M Gun + Hose	A75 Gun + Hose
MXL432PU-T-AC	1.4 l/m	●			AAA	●				
MXL432PU-T-ACG	1.4 l/m	●			AAA	●			●	
MXL432PU-T-F-ALG	1.4 l/m	●			Airless	●		●		●
MXL432PU-T-G-ACG	1.4 l/m	●			AAA		●		●	
MXL432PU-T-F-ACG	1.4 l/m	●			AAA	●		●	●	
MXL432PU-T-FG-ACG	1.4 l/m	●			AAA		●	●	●	
MXL432PU-W-AC	1.4 l/m		●		AAA	●				
MXL432PU-W-AL	1.4 l/m		●		Airless	●				
MXL432PU-W-F-AC	1.4 l/m		●		AAA	●		●		
MXL432PU-W-ACG	1.4 l/m		●		AAA	●			●	
MXL432PU-W-F-ACG	1.4 l/m		●		AAA	●		●	●	
MXL432PU-W-F-ALG	1.4 l/m		●		Airless	●		●		●
MXL432PU-C-AC	1.4 l/m			●	AAA	●				
MXL432PU-C-F-AC	1.4 l/m			●	AAA	●		●		
MXL432PU-C-F-AL	1.4 l/m			●	Airless	●		●		
MXL432PU-C-ACG	1.4 l/m			●	AAA	●			●	
MXL432PU-C-F-ACG	1.4 l/m			●	AAA	●		●	●	
MXL432PU-C-F-ALG	1.4 l/m			●	Airless	●		●		●

All MXL4/32 outfits ordered with gun and hoses will include 7.5m of Binks SuperFlex hose (1/8" bore) as standard, other hoses are available on request.

**MXL4/32 Ordering Example:**

**MXL432A-B-C-D**

**A - Packings**

- PU = PTFE/UHMWPE - Standard
- PL = PTFE/Leather
- PP = PTFE/PTFE
- UC = U-Cups

**B - Mounting Type**

- W = Wall
- C = Cart
- T = Tripod
- P = Pail

**C - Options**

- = No Filter
- F = Filter
- G = Gravity Hopper\*
- FG = Filter & Hopper\*

**D - Technology**

- AC = Air Assisted Airless Controls
- ACG = AAA with AA4400M Spray Gun + 7.5 m hoses
- AL = Airless Controls
- ALG = Airless with A75 Spray Gun + 7.5 m hoses

\*W/C/T only

<b>MXL 12/31</b>	<b>Pressure ratio</b>	<b>Volume per cycle</b>	<b>Max. flow capacity</b>	<b>Operating pressure max.</b>	<b>Piston stroke</b>
	31:1	72 cm <sup>3</sup>	12.0 l/min. (20 cycles/min)	248 bar	75 mm

The MXL12/31, consists of air motor AX140 and fluid pump FX12.

These pumps are supplied with PTFE/UHMWPE pump packings as standard for further options please see service bulletin.

**MXL Pump Air & Fluid Connections are:-**

**Air inlet connection:** 3/8" Female BSP

**Fluid Inlet connection:** 1/2" Male NPS

**Fluid Outlet (pump) connection:** 3/8" Male NPS/BSP

**Fluid outlet on supplied adaptor/H.P. filter:** 1/4" Male NPS

**Supply for AAA:** Ø 8x6mm hose push fit



MXL1231PU-C-ALG



H-7507-75

MX Lite Part No.	Nominal Flow Rate	Tripod Mounting	Wall Mounting	Cart Mounting	Controls	Suction Hose	Gravity Hopper 6L	Fluid Filter	AA4400M Gun + Hose	A75 Gun + Hose
MXL1231PU-W-AC	4.3 l/m		●		AAA	●				
MXL1231PU-W-AL	4.3 l/m		●		Airless	●				
MXL1231PU-W-F-AC	4.3 l/m		●		AAA	●		●		
MXL1231PU-W-ACG	4.3 l/m		●		AAA	●			●	
MXL1231PU-W-ALG	4.3 l/m		●		Airless	●				●
MXL1231PU-W-F-ACG	4.3 l/m		●		AAA	●		●	●	
MXL1231PU-W-F-ALG	4.3 l/m			●	Airless	●		●		●
MXL1231PU-C-AC	4.3 l/m			●	AAA	●				
MXL1231PU-C-AL	4.3 l/m			●	Airless	●				
MXL1231PU-C-F-AC	4.3 l/m			●	AAA	●		●		
MXL1231PU-C-ALG	4.3 l/m			●	Airless	●				●
MXL1231PU-C-F-ACG	4.3 l/m			●	AAA	●		●	●	
MXL1231PU-C-F-ALG	4.3 l/m			●	Airless	●		●		●
MXL1231PU-W-F-AC3	4.3 l/m			●	Twin AAA	●		●		
MXL1231PU-W-F-AC3G	4.3 l/m			●	Twin AAA	●		●	2	

All MXL1231 outfits ordered with gun and hoses will include 7.5m of Binks hose (3/16" bore) as standard, other hoses are available on request.

**MXL12/31 Ordering Example:**

**MXL1231A-B-C-D**

**A - Packings**

PU = PTFE/UHMWPE - Standard  
PL = PTFE/Leather  
PP = PTFE/PTFE  
UC = U-Cups

**B - Mounting Type**

W = Wall  
C = Cart

**C - Options**

= No Filter  
F = Filter

**D - Technology**

AC = Air Assisted Airless Controls  
ACG = AAA with AA4400M Spray Gun + 7.5 m hoses  
AL = Airless Controls  
ALG = Airless with A75 Spray Gun + 7.5 m hoses

	Pressure ratio	Volume per cycle	Max. flow capacity	Operating pressure max.	Piston stroke
<b>MX35/36</b>	36:1	220 cm <sup>3</sup>	6.6 l/min. (30 cycles/min)	288 bar	127 mm

The MX35/36, consists of air motor AX200L-8 and fluid pump FX220.

These pumps are supplied with PTFE/UHMWPE pump packings as standard for further options please see service bulletin.

**MX Pump Air & Fluid Connections are:-**

**Pump Air inlet connection:** 1/2" Female BSP

**Connection for AAA:** Ø 8x6mm plastic hose connector or 3/8" BSP Female

**Fluid outlet on the H.P. filter:** 1/4" NPS Male

Each pump outfit consists of:

- MX35/36 HP Pump
- Wall or Cart Mounted Fitting
- High Pressure ST ST Filter Assembly
- Airless or Air Assisted Airless Controls
- Flexible Suction Hose Assembly & Filter
- Ceramic Coated Piston Pumps
- Spring loaded packings
- Hex Nut Fluid Inlet Connection



MX22036PU-CAH-WAL

Part No. - Wall Mounted	Controls	Material
MX22036PU-CMH-WAC	Air Assisted Airless	Carbon Steel
MX22036PU-SMH-WAC	Air Assisted Airless	Stainless Steel
MX22036PU-CAH-WAL	Airless	Carbon Steel
MX22036PU-SAH-WAL	Airless	Stainless Steel



MX22036PU-CAH-CAL

Part No. - Cart Mounted	Controls	Material
MX22036PU-SAH-CAL	Airless	Stainless Steel
MX22036PU-SAH-CAC	Air Assisted Airless	Stainless Steel
MX22036PU-CAH-CAL	Airless	Carbon Steel
MX22036PU-CAH-CAC	Air Assisted Airless	Carbon Steel

Please see page 119 for AAA/Airless Hoses and pages 40 - 47 for AAA/Airless Guns

	Pressure ratio	Volume per cycle	Max. flow capacity	Operating pressure max.	Piston stroke
<b>MX30/42</b>	42:1	190 cm <sup>3</sup>	5.7 l/min. (30 cycles/min)	294 bar	127 mm

The MX30/42, consists of air motor AX200L-7 and fluid pump FX190.

These pumps are supplied with PTFE/UHMWPE pump packings as standard for further options please see service bulletin.

**MX Pump Air & Fluid Connections are:-**

**Pump Air inlet connection:** 1/2" Female BSP

**Fluid outlet on the H.P. filter:** 1/4" NPS Male

Each pump outfit consists of:

- MX30/42 HP Pump
- Wall or Cart Mounted Fitting
- High Pressure ST ST Filter Assembly
- Airless or Air Assisted Airless Controls
- Flexible Suction Hose Assembly & Filter
- Ceramic Coated Piston Pumps
- Manual or Automatic Packing Adjustment
- Hex Nut Fluid Inlet Connection



MX19042PU-CAH-WAL

Part No. - Wall Mounted	Controls	Material
MX19042PU-SAH-WAL	Airless	Stainless Steel
MX19042PU-CAH-WAL	Airless	Carbon Steel
MX19042PU-SMH-WAC	Air Assisted Airless	Stainless Steel
MX19042PU-CMH-WAC	Air Assisted Airless	Carbon Steel



MX19042PU-CAH-CAL

Part No. - Cart Mounted	Controls	Material
MX19042PU-SAH-CAL	Air Assisted Airless	Stainless Steel
MX19042PU-CAH-CAL	Airless	Carbon Steel
MX19042PU-CAH-CAC	Air Assisted Airless	Carbon Steel
MX19042PU-SMH-CAC	Air Assisted Airless	Stainless Steel
MX19042PU-CMH-CAC	Air Assisted Airless	Carbon Steel

	Pressure ratio	Volume per cycle	Max. flow capacity	Operating pressure max.	Piston stroke
<b>MX35/60</b>	60:1	220 cm <sup>3</sup>	6.6 l/min. (60 cycles/min)	480 bar	127 mm

The MX35/60, consists of air motor AX260L and fluid pump FX220.

These pumps are supplied with PTFE/UHMWPE pump packings as standard for further options please see service bulletin.

**MX Pump Air & Fluid Connections are:-**

**Pump Air inlet connection:** 1/2" Female BSP

**Fluid outlet on the H.P. filter:** 1/4" NPS Male

Each pump outfit consists of:

- MX35/60 HP Pump
- Wall or Cart Mounted Fitting
- High Pressure ST ST Filter Assembly
- Airless or Air Assisted Airless Controls
- Flexible Suction Hose Assembly & Filter
- Ceramic Coated Piston Pumps
- Manual or Automatic Packing Adjustment
- Hex Nut Fluid Inlet Connection



MX22060PU-SAH-WAL



MX22060PU-SAH-CAL

Part No. - Wall Mounted	Controls	Material
MX22060PU-SAH-WAL	Airless	Stainless Steel
MX22060PU-CAH-WAL	Airless	Carbon Steel
MX22060PU-SMH-WAL	Airless	Stainless Steel
MX22060PU-CMH-WAL	Airless	Carbon Steel

Part No. - Cart Mounted	Controls	Material
MX22060PU-SAH-CAL	Airless	Stainless Steel
MX22060PU-CAH-CAL	Airless	Carbon Steel
MX22060PU-SMH-CAL	Airless	Stainless Steel
MX22060PU-CMH-CAL	Airless	Carbon Steel

MX30/70	Pressure ratio	Volume per cycle	Max. flow capacity	Operating pressure max.	Piston stroke
	70:1	190 cm <sup>3</sup>	5.7 l/min. (60 cycles/min)	490 bar	127 mm

The MX30/70, consists of air motor AX260L and fluid pump FX190.

These pumps are supplied with PTFE/UHMWPE pump packings as standard for further options please see service bulletin.

**MX Pump Air & Fluid Connections are:-**

**Air inlet connection:** 1/2" Female BSP

**Fluid outlet on the H.P. filter:** 1/4" NPS Male

Each pump outfit consists of:

- MX35/60 HP Pump
- Wall or Cart Mounted Fitting
- High Pressure ST ST Filter Assembly
- Airless or Air Assisted Airless Controls
- Flexible Suction Hose Assembly & Filter
- Ceramic Coated Piston Pumps
- Manual or Automatic Packing Adjustment
- Hex Nut Fluid Inlet Connection



MX19070PU-SAH-WAL



MX19070PU-SAH-CAL

Part No. - Wall Mounted	Controls	Material
MX19070PU-SMH-WAL	Airless	Stainless Steel
MX19070PU-CMH-WAL	Airless	Carbon Steel

Part No. - Cart Mounted	Controls	Material
MX19070PU-SAH-CAL	Airless	Stainless Steel
MX19070PU-CAH-CAL	Airless	Carbon Steel
MX19070PU-SMH-CAL	Airless	Stainless Steel
MX19070PU-CMH-CAL	Airless	Carbon Steel



### Air Motor Spare Parts Kits

Pump	Air Motor	Part No	Description
MX4/12 MXL12/05 MXL4/12	AX55S	0115-010216	Seal Kit
		0115-010214	Repair Kit
		0115-010226	Air Motor Valve Repair Kit
		0115-010213	Hardware Kit
MX4/32 MX12/12 MXL4/32 MXL12/12	AX85S	0115-010217	Seal Kit
		0115-010215	Repair Kit
		0115-010226	Air Motor Valve Repair Kit
		0115-010213	Hardware Kit
MX12/31 MXL12/31	AX140S	0115-010301	Repair Kit
		0115-010226	Air Motor Valve Repair Kit
		0115-010302	Seal Kit
MX35/36 MX30/42	AX200L	0115-010300	Hardware Kit
		250703	Seal Kit
		250702	Cylinder seal kit
		250649	Air Motor Valve Repair Kit
		250701	Hardware Kit
MX35/35 MX35/60 MX30/70	AX260L	250651	Exhaust Seal Kit
		250645	Seal Kit
		250648	Cylinder Seal Kit
		250649	Air Motor Valve Repair Kit
		250650	Hardware Kit
		250651	Exhaust Seal Kit
		194066	Motor Rod Kit



**Fluid Pump Spare Parts Kits**

Pump	Fluid Pump	Part No	Description
MX4/12 MX4/32 MXL4/12 MXL4/32	FX4/FXL4	0115-010171	Upper packing mixed MX 432
		0115-010206	Upper PTFE packing set MX 432
		0115-010175	Upper packing FX4 PTFE/UHMWPE
		0115-010173	Lower packing,MIXED MX432
		0115-010207	Lower ptfе packing SET MX 432
		0115-010177	Lower packg FX4 PTFE/UHMWPE
		0115-010166	Upper packing cartridge
		0115-010169	Lower packing
		0115-010222	Repair kit FX4 PTFE/leather
		0115-010224	Repair kit FX4 PTFE
		0115-010388	FX4 Repair kit PTFE/UHMWPE
		0115-010220	Repair kit FX4 U-Cups
		0115-010221	Seal kit FX4, PTFE/leather
		0115-010223	Seal kit FX4, PTFE
		0115-010225	Seal kit FX4, PTFE/UHMWPE
		0115-010219	Seal kit FX4 U-CUPS
MX12/12 MX12/31 MXL12/05 MXL12/12 MXL12/32	FX12/FXL12	0115-010261	Upper packing set PTFE/leather
		0115-010263	Upper packing set PTFE
		0115-010265	FX12 Upper packing PTFE/UHMWPE
		0115-010262	Lower packing set PTFE/leather
		0115-010264	Lower packing set PTFE
		0115-010266	FX12 Lower packing PTFE/UHMWPE
		See 0115-010305	Packing, upper, UC
		See 0115-010305	Packing, lower, UC
		0115-010307	Repair kit FX12, PTFE/leather
		0115-010309	Repair kit FX12, PTFE
		0115-010387	FX12 Repair kit PTFE/UHMWPE
		0115-010305	Repair kit FX12, U-CUPS
		0115-010306	Seal kit FX12, PTFE/leather
		0115-010308	Seal kit FX12, PTFE
0115-010303	Seal kit FX12 PTFE/UHMWPE		
0115-010304	Seal kit FX12, U-CUPS		
MX30/70 MX30/42	FX190	193508	Upper packing ASSY. PTFE/UHMW
		193505	Upper packing ASSY. PTFE
		193506	Packing, upper, PTFE/Leather
		193507	Upper packing ASSY. UHMW
		193772	Packing,upper, UHMWPE/Leather
		193501	Lower packing ASSY. PTFE
		193503	Lower packing ASSY. UHMW
		193504	Lower packing ASSY. PTFE/UHMW
		193502	Packing, lower, PTFE/Leather
		193773	Packing, lower, UHMWPE/Leather
		250662	Seal kit FOR FX190PU FL SEC
		250663	Seal kit for FX190PU FL SEC
		250670	Seal kit for FX190PP FL SEC
		250671	Seal kit for FX190UU FL SEC
		250690	Seal Kit, UHMWPE/Leather
		250664	Repair Kit, PTFE/Leather
		250665	Repair kit for FX190PU FL SEC
		250672	Repair kit for FX190PP FL SEC
		250673	Repair kit for FX190UU FL SEC
250691	Repair Kit, UHMWPE/Leather		





Fluid Pump Spare Parts Kits



Pump	Fluid Pump	Part No	Description
MX35/35 MX35/36 MX35/60	FX220	193296	Upper packing ASSY UHMW
		193303	Upper packing ASSY PTFE
		193308	Upper packing ASSY PTFE/LEATH
		193313	Upper packing ASSY PTFE/UHMW
		193294	Lower packing ASSY UHMW
		193305	Lower packing ASSY PTFE
		193310	Lower packing ASSY PTFE/LEATH
		193314	Lower packing ASSY PTFE/UHMW
		250658	seal kit for FX220PL FLUID
		250659	Seal kit for FX220PU FL SEC
		250666	Seal kit for FX220PP FL SEC
		250667	Seal kit for FX220UU FL SEC
		250660	Repair Kit, PTFE/Leather
		250661	Repair kit for FX220PU FL SEC
		250668	Repair kit for FX220PP FL SEC
		250669	Repair kit for FX220UU FL SEC



0115-01079



104095



0115-010186



104084



0115-010100



0115-010664



DXA-AC3



MXA-C13ALM5-H34

## Pump Outfit Accessories

Part No.	Description	Pump
0115-010179	Wall Bracket	MXL4/12 MXL4/32 MXL12/05 MXL12/12 MXL12/31
DVX-101	Wall Bracket	DX70/DX200
DVX-325	Wall Bracket	DX200-3

Please note fittings are not supplied with these wall brackets, please refer to the appropriate service bulletin.

Part No.	Description	Pump
104116	Wall Bracket	MX35/36 MX30/42
104095	Wall Bracket	MX35/60 MX30/70

Part No.	Description	Pump
0115-010186	Cart Assembly	MXL4/12 MXL4/32 MXL12/05 MXL12/12 MXL12/31, DX70, DX200, DX200-3

Part No.	Description	Pump
104136	Cart Assembly	MX35/36 MX30/42
104084	Cart Assembly	MX35/60 MX30/70

Part No.	Description	Pump
0115-010100	Tripod Assembly	MXL4/12 MXL4/32
DXA-T	Tripod Assembly	DX70 DX200

Please note fittings are not supplied with these tripod assemblies, please refer to the appropriate service bulletin

Part No.	Description	Pump
0115-010664	Air Controls - Air Assisted Airless	MXL4/12 MXL4/32 MXL12/12 MXL12/31
0115-010708	Air Controls - Airless	MXL4/32 MXL12/31
0115-010732	Air Controls - Air Assisted Airless x 2	MXL12/12 MXL12/31
DXA-AC1	Air Controls - Pump Only	DX70
DXA-AC2	Air Controls - Pump/Gun Air	DX70
DXA-AC3	Air Controls - Pump/Gun Air & Fluid Regulator	DX70
DXA-AC1-200	Air Controls - Pump Only	DX200
DXA-AC2-200	Air Controls - Pump & Fluid Regulator	DX200
DXA-AC3-200	Air Controls - Pump/Gun Air & Fluid Regulator	DX200
DXA-AC22-200	Air Controls - Pump/Gun Air	DX200
DXA-AC1-200-SC	Air Controls - Pump/Active Surge Chamber Take off	DX200S/DX200-3
DXA-GAC2	Air Controls - 2 x Gun Air	DX200
DXA-AC1-200-3	Air Controls - Pump Only	DX200-3

Part No.	Description	Dimensions	Pump
MXA-C13ALM5-H34	Air control regulator/filter - Airless	Inlet - 1/2" BSPP F, Outlet Hose - 3/4" BSPT	MX35/36 MX30/42 MX35/60 MX30/70
MXA-C13ACM5-H34	Air control regulator/filter - AAA	Inlet - 1/2" BSPP F, Outlet Hose - 3/4" BSPT	MX35/36 MX30/42 MX35/60 MX30/70



0110-009130



0115-010672

Part No.	Description	Dimensions	Pump
<b>DXA-FI0ME100</b>	DX Fluid Filter	Inlet - 3/8" BSPP F, Outlet - 3/8" BSPP M MWP - 10 Bar	DX70
<b>DXA-FI0ME100-200G</b>	DX In-line with Ball Valve	Inlet - 3/8" Male Universal, Outlet - 3/8" Male Universal MWP - 10 Bar	DX70 DX200
<b>DXA-F6ME100-200</b>	DX200 LP Filter Assembly	Inlet - 3/8" BSPP M, Outlet - 3/8" BSPP F MWP - 21 Bar	DX200
<b>DXA-F6ME100-200S</b>	DX200 LP ST ST Filter Assembly	Inlet - 3/8" BSPP M, Outlet - 3/8" BSPP F MWP - 21 Bar	DX200
<b>DXA-F6ME100-200-3</b>	DX200 3:1 LP Filter Assembly	Inlet - 3/8" BSPP M, Outlet - 3/8" BSPP F MWP - 21 Bar	DX200 3:1
<b>107922-S-S</b>	LP Small Recirculation Filter	Inlet - 1" Sanitary, Outlet - 1" Sanitary MWP - 21 Bar	Maple/Smart
<b>107924-S</b>	LP In-line Easi Flush Filter	Inlet - 1" Sanitary, Outlet - 1" Sanitary MWP - 21 Bar	Maple/Smart
<b>0115-010711</b>	HP Type 01 Fluid Filter	Inlet - 3/8" BSP F, Outlet - 1/4" NPS M MWP - 272 Bar	MXL4/12 MXL4/32 MXL12/12 MXL12/31
<b>0110-009130</b>	HP Type 03 Fluid Filter	Inlet - 3/8" BSP F, Outlet - 1/4" NPS M MWP - 272 Bar	MXL4/12 MXL4/32 MXL12/12 MXL12/31
<b>0114-011760</b>	HP Type 11 Fluid Filter	Inlet - M22 x 1.5 F, Outlet - 1/4" NPS M MWP - 500 Bar	MX35/36 MX30/42 MX35/60 MX30/70



0115-010696



0115-010701

Part No.	Description	Pump
<b>0115-010672</b>	Dump Valve Kit - 1/4" NPS F / 1/4" NPS M, MWP 272 Bar	MXL4/12 MXL4/32 MXL12/05 MXL12/12 MXL12/31
<b>DXA-DVG</b>	Dump Valve Kit for Gravity Feed Hopper - 1/4" BSPT M	DX70
<b>DXA-DVT</b>	Dump Valve Kit for Tripod/Pail - 1/4" BSPT M	DX70

Part No.	Description	Pump
<b>0115-010696</b>	Suction Hose - 25 Litre 30 Mesh - 1/2" BSP F	MXL4/12 MXL4/32 MXL12/12 MXL12/31
<b>0115-010699</b>	Tripod Suction Tube - 50 Mesh - 1/2" BSP F	MXL4/12 MXL4/32
<b>MXA-S25ME30-DH114</b>	Suction Hose - 25 Litre 30 Mesh - Dump Hose - 1 1/4" BSPT M	MX35/36 MX30/42 MX35/60 MX30/70
<b>MXA-S210ME30-DH114</b>	Suction Hose - 210 Litre 30 Mesh - Dump Hose - 1 1/4" BSPT M	MX35/36 MX30/42 MX35/60 MX30/70
<b>DXA-S25ME15</b>	Suction Tube and Hose - 25 Litre 15 Mesh - 3/8" BSP F	DX70 DX200
<b>DXA-P25ME15</b>	Tripod Suction Tube - 15 Mesh - 3/8" BSP F	DX70 DX200
<b>DXA-S25-13S-ME15</b>	Suction Tube and Hose - 25 Litre 15 Mesh - 1/2" BSP F	DX200-3

Part No.	Description	Pump
<b>0115-010701</b>	Hopper 6L Kit - 1/2" Connection	All MXL
<b>0115-010712</b>	1/4" Return Hose for 0115-010701 Hopper	All MXL
<b>DXA-TG</b>	Hopper 6L Tripod Kit	DX70
<b>DXA-WG</b>	Hopper 6L Wall Kit	DX70
<b>DXA-CG</b>	Hopper 6L Cart Kit	DX70



H-7507-75-SF

Part No.	Description	Pump
<b>H-7507-75-SF</b>	SuperFlex Twin Hose Assembly 7.5M 1/8" bore Fluid MWP 270 Bar Air MWP 7.5 Bar	MXL4/12 MXL4/32
<b>H-7507-150 SF</b>	SuperFlex Twin Hose Assembly 15M 1/8" bore Fluid MWP 270 Bar Air MWP 7.5 Bar	MXL4/12 MXL4/32
<b>H-7507-75</b>	Twin Hose Assembly 7.5M 3/16" bore Fluid MWP 256 Bar Air MWP 7.5 Bar	All MXL
<b>H-7507-150</b>	Twin Hose Assembly 15M 3/16" bore Fluid MWP 256 Bar Air MWP 7.5 Bar	All MXL



Part No.	Description	Pump
H-5850	1.8 m Airless whip end 1/4" bore with 1/4" NPS connectors (500 Bar)	MX35/36 MX30/42 MX35/60 MX30/70
H-5851	1 m Airless whip end 3/16" bore with 1/4" NPS connectors (500 Bar)	MX35/36 MX30/42 MX35/60 MX30/70
H-5852	15 m Airless hose assembly 1/4" bore with 1/4" NPS connectors (500 Bar)	MX35/36 MX30/42 MX35/60 MX30/70
H-5853	15 m Airless hose assembly 3/8" bore with 3/8" NPS connectors (500 Bar)	MX35/36 MX30/42 MX35/60 MX30/70
74-011/1	1/4" x 1/4" D.M nipple to join 2 x 1/4" NPT HP hoses	MX35/36 MX30/42 MX35/60 MX30/70
74-012/1	1/4" x 3/8" D.M nipple to join 1/4" NPS x 3/8" NPT HP hoses	MX35/36 MX30/42 MX35/60 MX30/70
502696/800	Convuluted PTFE with Wire Support Metallic Braided Hose Assembly with 1 1/2" Sanitary Fittings - 800mm	Maple 30/3, Maple 60/3, E2-30, E2-40, E2-60 Smart Pump
502696/1500	Convuluted PTFE with Wire Support Metallic Braided Hose Assembly with 1 1/2" Sanitary Fittings - 1500mm	Maple 30/3, Maple 60/3, E2-30, E2-40, E2-60 Smart Pump
502812	Convuluted PTFE with Wire Support Metallic Braided Hose Assembly with 1 1/2" Sanitary Fittings - 1000mm	Maple 30/3, Maple 60/3, E2-30, E2-40, E2-60 Smart Pump
502868	Convuluted PTFE with Wire Support Metallic Braided Hose Assembly with 1" Sanitary Fittings - 600mm	Maple 15/3



0115-010705

Part No.	Description	Pump
0115-010705	Adapter - check valve to hose connection (for use when no filter present) 3/8" NPS F - 1/4" NPS M	All MXL
DXK-219	Adapter 3/4" BSP M - 3/8" BSP M	DX200
DXK-218	Adapter 3/4" BSP M - 3/8" BSP F	DX200
192779	Exhaust Adapter 1" NB Hose	All Maple
192803	Exhaust Plug	All Maple
192532	1" Sanitary - 1 1/2" BSPT F Adapter	Maple 15/3
193114	1" Sanitary - 3/4" BSP	Maple 15/3, E2-15
192820	Exhaust Tube Adapter (1/1/4" NB)	Maple 30/3, 60/3, 7/15, 8/25
192009	1" & 1 1/2" Sanitary Clamp	All Maple, All Smart
192544	2" Sanitary Clamp	Smart E4-60
192206	1" & 1 1/2" Sanitary Gasket	All Maple, Smart E2-15
192008	1 1/2" Sanitary Gasket	Smart E2-30, E2-40, E2-60
192029	2" Sanitary Gasket	Smart E4-60



0114-016099

Part No.	Description	Pump
0114-016099	Lubricating Oil - Solvent Based 0.25L	All MX Pumps
0114-016100	Lubricating Oil - Water Based 0.25 L	All MX Pumps
0114-014871	Lubricating Oil - Water Based 0.5 L	All MX Pumps
0114-009433	Lubricating Oil - Solvent Based 0.5 L	All MX Pumps
AGMD-010	Grease -50ml	All Maple Pumps
502373	Grease gun for cam follower & main bearings	All Smart Pumps
502375	Grease for cam follower & main bearings	All Smart Pumps
502514	Grease gun for linear bearings	Smart E2-30, E2-40, E2-60
502376	Grease for linear bearings	Smart E2-30, E2-40, E2-60



192509

Part No.	Description	Pump
192509	Silencer - 1 1/2" BSP	MX35/36 MX30/42 MX35/60 MX30/70



193381

Part No.	Description	Pump
193381	Optional hose storage bracket for cart & wall assembly	MX35/36 MX30/42 MX35/60 MX30/70

Part No.	Description	Pump
502769	Maple Bellows Tool	Maple 7/15/30
502770	Maple Bellows Tool	Maple 20 Smart E2-20
502883	Maple 60/3 Shaft Bearing Press	Maple 60/3



104111

Part No.	Description	Pump
192800	Smart Card	All Smart Pumps
192547	Pressure Transducer (0-25 bar)	All Smart Pumps
502144	Pressure Switch (2-40 bar)	All Smart Pumps
192720	Sensor Manifold	All Smart Pumps
502501	BPR Control box	All Smart Pumps

Part No.	Description	Operating Pressure	Pump
104167	Pressure Relief Valve	22 Bar (320 PSI)	Smart E2-7 & E2-15
104201	Pressure Relief Valve	16 Bar (232 PSI)	Smart E2-40
104168	Pressure Relief Valve	22 Bar (232 PSI)	Smart E2-30 & E2-60
104111-E4	Pressure Relief Valve	22 Bar (232 PSI)	Smart E4-60
104111	Foot Mounted Pressure Relief Valve	22 Bar (320 PSI)	Smart Pump - Retro Fitting - See Table Below for fitting

Part No.	Description
192554	Inlet/Outlet Fitting 2" Sanitary for 104111 Foot Mounted Pressure Relief Valve
192555	Inlet/Outlet Fitting 1 1/2" Sanitary for 104111 Foot Mounted Pressure Relief Valve
192556	Inlet/Outlet Fitting 1 1/2" NPT Female for 104111 Foot Mounted Pressure Relief Valve
192557	Inlet/Outlet Fitting 1 1/2" BSPT Female for 104111 Foot Mounted Pressure Relief Valve
192558	Inlet/Outlet Fitting 42mm Compression Coupling DIN2353 for 104111 Foot Mounted Pressure Relief Valve
192564	Inlet/Outlet Fitting 1" Sanitary for 104111 Foot Mounted Pressure Relief Valve

Smart Pump Retro Fit Kit Part No.	Smart Pump	PRV	New Sanitary Elbow to be Installed		
			1	2	3
250757	E2-15	104167	194590	194589	194589
250758	E2-30	104168	194591	194591	194591
250759	E2-40	104201	194591	194594	194594
250760	E2-60	104168	194593	194591	194591
250788	E4-60	104111-E4	192791	194930	194931
194900	E2-15	104167	All manifolds and elbows included		
194901	E2-30	104168	All manifolds and elbows included		
194902	E2-40	104201	All manifolds and elbows included		
194903	E2-60	104168	All manifolds and elbows included		
194942	E4-60	104111-E4	All manifolds and elbows included		



DXA-SC11P

Part No.	Description	Pump
<b>DXA-SC11P</b>	1:1 Pump Mount Active Surge Chamber	DX200 S
<b>DXA-SC31P</b>	3:1 Pump Mount Active Surge Chamber	DX200-3
<b>DXA-SCRO.6</b>	Active Surge Chamber 0.6l Air Reservoir	DX200 S
<b>DXA-SCR1.0</b>	Active Surge Chamber 1l Air Reservoir	DX200-3
<b>DXA-SCF</b>	Active Surge Chamber Air Feed Connector	DX200 S/DX200-3

Part No.	Description	Pump
<b>DVX-407</b>	Manual Regulator Assembly	DX200SR
<b>DVX-411</b>	Manual Regulator Assembly	DX200-3
<b>DVX-312</b>	Non Regulated Body 1/2" Mounting Fitting- Requires DVX-241	DX200-3
<b>DVX-241</b>	Outlet Seal for DVX-312	DX200-3

### IntelliFlow RM2



Part No.	Description
RM2-11121	300 psi, 300cc Catalyst Pump, 1 Color
RM2-11111	300 psi, 600cc Catalyst Pump, 1 Color
RM2-11127	300 psi, 300cc Catalyst Pump, 7 Color
RM2-11117	300 psi, 600cc Catalyst Pump, 7 Color

### Recommended Accessories

Part No.	Description
240-5199	Pedestal Stand Kit
240-5205-1	Gun Flush Box Kit, 1 Gun
240-5205-2	Gun Flush Box Kit, 2 Gun
240-5200	Two Gun Manifold Kit
240-5201	Catalyst Flow Sensor Kit
240-5202	Solvent Meter Kit
240-5203	Remote Color Change Kit, LP
240-5204	In-Booth Solvent Meter Kit
240-5206	In-Booth Fluid Panel Mounting Kit, LP
240-5143	Screen Protector Kit

### IntelliFlow RF2



Part No.	Description
RF2-LA2-01-01-S	Package, 300 psi, Auto, 2K, 1 color, 1 catalyst, standard
RF2-LA2-01-01-C	Package, 300 psi, Auto, 2K, 1 color, 1 catalyst, isocyanate
RF2-LA2-04-01-S	Package, 300 psi, Auto, 2K, 4 color, 1 catalyst, standard
RF2-LA2-04-01-C	Package, 300 psi, Auto, 2K, 4 color, 1 catalyst, isocyanate
RF2-LA2-07-02-S	Package, 300 psi, Auto, 2K, 7 color, 2 catalyst, standard
RF2-LA2-07-02-C	Package, 300 psi, Auto, 2K, 7 color, 2 catalyst, isocyanate
RF2-LA2-12-04-S	Package, 300 psi, Auto, 2K, 12 color, 4 catalyst, standard
RF2-LA2-12-04-C	Package, 300 psi, Auto, 2K, 12 color, 4 catalyst, isocyanate
RF2-HA2-01-01-S	Package, 3000 psi, Auto, 2K, 1 color, 1 catalyst, standard
RF2-LA1-01-01-S	Package, 300 psi, Auto, 1K, 1 color, 1 catalyst, standard
RF2-LM2-01-01-S	Package, 300 psi, Manual, 2K, 1 color, 1 catalyst, standard
RF2-LM2-04-01-S	Package, 300 psi, Manual, 2K, 4 color, 1 catalyst, standard
RF2-LM2-07-02-S	Package, 300 psi, Manual, 2K, 7 color, 2 catalyst, standard
RF2-LM2-12-04-S	Package, 300 psi, Manual, 2K, 12 color, 4 catalyst, standard
RF2-HM2-01-01-S	Package, 3000 psi, Manual, 2K, 1 color, 1 catalyst, standard

### Recommended Accessories

Part No.	Description
310-2002	Floor Stand
HGB-510-R1-CO	HGB Inlet Pressure Regulator
240-5202	Solvent Flowmeter Kit
240-5204	In-booth Solvent Flowmeter Kit
310-8020	In-booth Fluid Panel Kit - 2 Channel Std
310-8021	In-booth Fluid Panel Kit - 3 Channel Std
310-8022	In-booth Fluid Panel Kit - 2 Channel Fiberoptic
310-8023	In-booth Fluid Panel Kit - 3 Channel Fiberoptic
310-8030	Screen Protector Kit
240-5205-1	Gun flush box kit, 1 gun
240-5205-2	Gun flush box kit, 2 gun

## Magic-Flow 2



\*To order a high or low pressure configuration please add -L for low pressure or -H for high pressure

Part No.	Description
	MAGIC-FLOW 2 universal 2K electronic mixing unit - (1 paint, 1 catalyst, 2 solvents, Ethernet, LED light tower)
<b>5500000*</b>	MAGIC-FLOW 2 2K - With 2x gear flow meters (50 - 2-000ml/min)
<b>5500001*</b>	MAGIC-FLOW 2 2K - C4 - With 1 x Coriolis meter (4mm tube), 1 x gear flow meter (50 - 2-000ml/min)
<b>5500002*</b>	MAGIC-FLOW 2 2K - C6 - With 1 x Coriolis meter (6mm tube), 1 x gear flow meter (50 - 2-000ml/min)
<b>5500003*</b>	MAGIC-FLOW 2 2K - C4C4 - With 2 x Coriolis meter (4mm + 4mm tubes)
<b>5500004*</b>	MAGIC-FLOW 2 2K - C6C4 - With 2 x Coriolis meter (6mm + 4mm tubes)
<b>Accessories</b>	
<b>5500010</b>	MAGIC-FLOW 2 ADD ON - Add on kit for additional component; paint or catalyst (Non-ATEX units), paint only (ATEX units).
<b>5500011</b>	MAGIC-FLOW 2 ADD ON ATEX - Add on kit for ATEX units only. Adds additional Catalyst component, including electrical, pneumatic and hydraulic parts for catalysts with ATEX solenoid valve
<b>5500020</b>	MAGIC-FLOW 2 ROBOTCOM - Robot Communications - 8 digital input, 8 digital outputs, p to couplings
<b>5500021</b>	MAGIC-FLOW 2 ATEX LED REMOTE - ATEX Remote control with LED display
<b>5500030</b>	MAGIC-FLOW 2 ATEX CONV. 1 - ATEX conversion kit for systems with 2 gear flow meters + 1 catalyst (5500000)
<b>5500031</b>	MAGIC-FLOW 2 ATEX CONV. 2 - ATEX conversion kit for systems with 1 coriolis meter + 1 gear flow meter + 1 catalyst (5500001 + 5500002)
<b>5500032</b>	MAGIC-FLOW 2 ATEX CONV. 3 - ATEX conversion kit for systems with two coriolis meters + 1 catalyst (5500003 + 5500004)
<b>5500040</b>	MAGIC-FLOW 2 ATOMIZING AIR - Automatic Atomizing Air Switch Off
<b>5500100-10</b>	Extend ATEX wiring to 10M
<b>5500100-15</b>	Extend ATEX wiring to 15M
<b>5500100-20</b>	Extend ATEX wiring to 20M
<b>4000030-2</b>	Gun Flush box (requires saddle and controls)
<b>4000030-AA4400M</b>	AA4400M Gun Flush Box Saddle
<b>4000030-GPL</b>	GTi Pro Lite Gun Flush Box Saddle
<b>4000030-RF45</b>	RansFlex 45kV Gun Flush Box Saddle
<b>4000319</b>	Agitator control set
<b>5500041</b>	MAGIC-FLOW 2 GUN FLUSH BOX CONTROL - Gun Flushbox Control
<b>5500051</b>	MAGIC-FLOW 2 COLOR DISTRIBUTION 2V - Paint distribution valve set, 2 sprayers
<b>5500052</b>	MAGIC-FLOW 2 COLOR DISTRIBUTION 3V - Paint distribution valve set, 3 sprayers
<b>5500053</b>	MAGIC-FLOW 2 COLOR DISTRIBUTION 4V - Paint distribution valve set, 4 sprayers

\* Add -L for low pressure, Add-H for high pressure



Bare Pumps

Part No.	Pump	Ratio	Output per cycle	PTFE/UHMWPE Packings	PTFE/Leather Packings	PTFE Packings	U-Cups/UHMWPE	Stainless Steel	Carbon Steel
MXL1205UCU	<b>MXL12/05</b>	5:1	72cm <sup>3</sup>				●	●	
MXL412PU	<b>MXL4/12</b>	12:1	24cm <sup>3</sup>	●	●			●	
MXL412PL							●		
MXL412PP					●		●		
MXL432PU	<b>MXL4/32</b>	32:1	24cm <sup>3</sup>	●	●			●	
MXL432PL							●		
MXL432PP					●		●		
MXL1212PU	<b>MXL12/12</b>	12:1	72cm <sup>3</sup>	●	●			●	
MXL1212PL							●		
MXL1212PP					●		●		
MXL1231PU	<b>MXL12/31</b>	31:1	72cm <sup>3</sup>	●	●			●	
MXL1231PL							●		
MXL1231PP					●		●		
MX12220PU-SMH	<b>MX19/20</b>	20:1	122cm <sup>3</sup>	●				●	
MX12241PU-SMH	<b>MX19/41</b>	41:1	122cm <sup>3</sup>	●				●	
MX12264PU-SMH	<b>MX19/64</b>	64:1	122cm <sup>3</sup>	●				●	
MX22011PU-SAH	<b>MX35/11</b>	11:1	220cm <sup>3</sup>	●				●	
MX88015PU-CMH	<b>MX140/15</b>	15:1	880cm <sup>3</sup>	●					●
MX88015PU-SMH				●			●		
MX22023PU-CMH	<b>MX35/23</b>	23:1	220cm <sup>3</sup>	●					●
MX22023PU-SAH				●			●		
MX88023PU-CMH	<b>MX140/23</b>	23:1	880cm <sup>3</sup>	●					●
MX88023PU-SMH				●			●		
MX22036PU-CAH	<b>MX35/36</b>	36:1	220cm <sup>3</sup>	●					●
MX22036PU-SAH				●			●		
MX22036PL-CAH					●			●	
MX22036PL-SAH					●			●	
MX44030PU-CMH	<b>MX70/30</b>	30:1	440cm <sup>3</sup>	●					●
MX44030PU-SMH				●			●		
MX19042PU-CAH	<b>MX30/42</b>	42:1	190cm <sup>3</sup>	●					●
MX19042PU-SMH				●			●		
MX19042PL-CAH					●			●	
MX19042PL-SAH					●			●	
MX44046PU-CMH	<b>MX70/46</b>	46:1	440cm <sup>3</sup>	●					●
MX44046PU-SMH				●			●		
MX22060PU-CAH	<b>MX35/60</b>	60:1	220cm <sup>3</sup>	●					●
MX22060PU-SAH				●			●		
MX22060PL-CAH					●			●	
MX22060PL-SAH					●			●	
MX19070PU-CAH	<b>MX30/70</b>	70:1	190cm <sup>3</sup>	●					●
MX19070PU-SAH				●			●		
MX19070PL-CAH					●			●	
MX19070PL-SAH					●			●	



0114-014876

### HP Filter Elements

HP Filter Elements		Type 01 - 0115-010711	Type 03 - 0110-009130	Type 11 - 0114-011760
Mesh	Part no.		Part no.	Part no.
30 mesh	0114-014916		-	0114-014917
50 mesh	0114-014887		0110-009131	0114-014886
70 mesh	0114-014876		-	0114-014884
100 mesh	0114-014875		0110-009132	0114-014883
150 mesh	0114-014877		0110-009133	0114-014882
200 mesh	-		0110-009134	0114-014881



VS-58

### LP Filter Elements for DXA-F10ME100 filter

LP Filter Elements		VS-58 - DXA-F10ME100	
Mesh	Part no.	Pack Size	
60 mesh	VS-58-60	1	
100 mesh	VS-58	1	
100 mesh	VS-58-K10	10	



194549

### LP Filter Elements for DXA-F6ME100-200/DXA-F6ME100-200-3/107922/107923/107924 filters

Mesh	Pack of 1		Pack of 3		Pack of 12	
	Part No.		Part No.		Part No.	
15 mesh	194546		194546-K3		194546-K12	
30 mesh	194547		194547-K3		194547-K12	
60 mesh	194548		194548-K3		194548-K12	
100 mesh	194549		194549-K3		194549-K12	
150 mesh	194550		194550-K3		194550-K12	
200 mesh	194551		194551-K3		194551-K12	
300 mesh	194552		194552-K3		194552-K12	
400 mesh	194553		194553-K3		194553-K12	
500 mesh	194554		194554-K3		194554-K12	
600 mesh	194555		194555-K3		194555-K12	
1250 mesh	194556		194556-K3		194556-K12	



0114-014221

### Suction Tube Strainer

Suction Tube Strainer		Ø 59 mm
	Part no.	
20 mesh	0114-014112	
50 mesh	0114-014068	
70 mesh	0114-014221	



### Cartridge Filter Housing

Part No.	Description	Connection
107874 5"	Cartridge Filter Housing	1" BSP
107875 5"	Cartridge Filter Housing	1" Sanitary connections
107871 10"	Cartridge Filter Housing	1" BSP
107870 10"	Cartridge Filter Housing	1" Sanitary connections
107868 10"	Cartridge Filter Housing	1 1/2" Sanitary connections
107873 20"	Cartridge Filter Housing	1" Sanitary connections
107869 20"	Cartridge Filter Housing	1 1/2" Sanitary connections



### Air and Fluid Hoses (Low Pressure)

Part no.	Description	Bore
H-7501	5/16" bore air hose red rubber - per metre	5/16" (8mm)
H-7502	3/8" bore air hose red rubber - per metre	3/8" (9.5mm)
H-7503	1/4" bore fluid hose black - per metre	1/4" (6mm)
H-7504	3/8" bore fluid hose black - per metre	3/8" (9.5mm)
H-7501-150M	5/16" bore air hose red rubber - 150M reel*	5/16" (8mm)
H-7502-150M	3/8" bore air hose red rubber - 150M reel*	3/8" (9.5mm)
H-7503-150M	1/4" bore fluid hose black - 150M reel*	1/4" (6mm)
H-7504-150M	3/8" bore fluid hose black - 150M reel*	3/8" (9.5mm)
170177	1/4" bore fluid hose clear - per metre	1/4" (6mm)
170236-10	1/4" bore twin hose clear - 10M	1/4" (6mm)
170236-50	1/4" bore twin hose clear - 50M	1/4" (6mm)
170236-100	1/4" bore twin hose clear - 100M	1/4" (6mm)

\* We cannot guarantee one continuous length per hose reel.

### 3 Piece re-usable Connectors

Part no.	Bore	Connector
P-HC-4523	1/4" (6mm)	1/4" NPS
P-HC-4527	5/16" (8mm)	1/4" NPS
P-HC-4528	3/8" (9.5mm)	1/4" NPS
P-HC-4543	1/4" (6mm)	3/8" NPS
P-HC-4548	3/8" (9.5mm)	3/8" NPS

### Hose Connectors

Part No.	Type	Bore	Connector Thread size & Type			
			1/4" BSP	1/4" NPS	3/8" BSP	3/8" NPS
H-7501	5/16" bore air hose red rubber	5/16" (8mm)	P-HC-4527	P-HC-4527-F	-	-
H-7502	3/8" bore air hose red rubber	3/8" (9.5mm)		P-HC-4528		P-HC-4548
H-7503	1/4" bore fluid hose black	1/4" (6mm)		P-HC-4523		P-HC-4543
H-7504	3/8" bore fluid hose black	3/8" (9.5mm)		P-HC-4528		P-HC-4548
170177	1/4" bore clear fluid hose	1/4" (6mm)		6x10-14-SS (without spring)		6x10-38-SS (without spring)
			191357(with spring)	6X10-14-SG (with spring)	191358 (with spring)	6x10-38-SG(with spring)

### Ready Made (Low Pressure) Hose Assemblies

Part no.	Hose Assembly Description	1.2M	1.45M	3.5M	5M	6M	7.5M	8M	10M	15M
H-7501HA-XX*	5/16" bore air hose red rubber complete with 1/4" universal connectors	-	-	-	-	-	-	-	-	-
H-7502HA-XX*	3/8" bore air hose red rubber complete with 1/4" universal connectors	-	-	-	-	-	-	-	-	-
H-7503HA-XX*	1/4" bore fluid hose black rubber complete with 3/8" universal connectors	-	-	-	-	-	-	-	-	-
H-7504HA-XX*	3/8" bore fluid hose black rubber complete with 3/8" universal connectors	-	-	-	-	-	-	-	-	-
207960	Single clear hose assembly with 1/4" fittings one end and 3/8" other end	-	-	-	-	-	-	-	-	-
501719	Single clear hose assembly with 1/4" fittings one end and 3/8" other end	-	-	-	-	-	-	-	-	-
501675	Single clear hose assembly with 1/4" fittings one end and 3/8" other end	-	-	-	-	-	-	-	-	-
501311	Single clear hose assembly with 1/4" fittings one end and 3/8" other end	-	-	-	-	-	-	-	-	-
207948	Twin clear hose assembly with 1/4" fittings one end and 3/8" other end	-	-	-	-	-	-	-	-	-
207947	Twin clear hose assembly with 1/4" fittings one end and 3/8" other end	-	-	-	-	-	-	-	-	-
501371	Twin clear hose assembly with 1/4" fittings one end and 3/8" other end	-	-	-	-	-	-	-	-	-

Hose Assembly Part number example - To complete the part number, add the length required - i.e.: H-7501HA-15 = H-7501 hose assembly complete with 1/4" universal connection - 15m length

Note: All hoses include an outer conductive cover to comply with ATEX & CE legislation.



## Heated Hoses

Part No.	Description	Bore	Length	Connections	Pressure max.
<b>H-76-06-240-10*</b>	Low Pressure Heated Hose Assembly	1/4"(6mm)	10M	1/4" (6mm)	240 bar
<b>H-76-06-500-10*</b>	Heated Hose Assembly with 1/4" connections	1/4"(6mm)	10M	1/4" (6mm)	500 bar
<b>H-76-08-250-10*</b>	Heated Hose Assembly with 3/8" connections	3/8" (9.5mm)	10M	3/8" (9.5mm)	250 bar
<b>H-76-08-250-15*</b>	Heated Hose Assembly with 3/8" connections	3/8" (9.5mm)	15M	3/8" (9.5mm)	250 bar
<b>H-76-08-475-10*</b>	Heated Hose Assembly with 3/8" connections	3/8" (9.5mm)	10M	3/8" (9.5mm)	475 bar
<b>H-76-08-475-15*</b>	Heated Hose Assembly with 3/8" connections	3/8" (9.5mm)	15M	3/8" (9.5mm)	475 bar
<b>H-76-CTR</b>	Temperature controller with digital display *required for all above hose assemblies. Controller must be fitted in non hazardous area.				

## Airless Hose Assembly, (High Pressure)

Length	Bore	Connection	Pressure max.	Part no.
1m	3/16"	1/4"	350 bar	<b>H-5811</b>
1m	1/8"	1/4"	350 bar	<b>H-5837</b>
1m	1/4"	1/4"	500 bar	<b>H-5851</b>
1.8m	1/4"	1/4"	500 bar	<b>H-5850</b>
7.5m	3/16"	1/4"	350 bar	<b>H-5813</b>
7.5m	1/4"	1/4"	310 bar	<b>H-5818</b>
7.5m	1/4"	1/4"	500 bar	<b>H-5706-75</b>
10m	3/16"	1/4"	350 bar	<b>H-5813-10</b>
10m	1/4"	1/4"	325 bar	<b>H-5818-10</b>
15m	1/4"	1/4"	325 bar	<b>H-5819</b>
15m	1/4"	1/4"	500 bar	<b>H-5852</b>
15m	3/8"	3/8"	500 bar	<b>H-5853</b>
20m	1/4"	1/4"	325 bar	<b>12227-20</b>
30m	1/4"	1/4"	325 bar	<b>12227-30</b>

## Twin Hose Assembly, (High Pressure)

Part no.	Description
<b>H-7507-75-SF</b>	Twin Hose Assembly 7.5m with 1/8" bore air and fluid hoses with 1/4" NPS Connectors (270 Bar)
<b>H-7507-150-SF</b>	Twin Hose Assembly 15m with 1/8" bore air and fluid hoses with 1/4" NPS Connectors (270 Bar)
<b>H-7507-75</b>	Twin Hose Assembly 7.5m with 3/16" bore air and fluid hoses with 1/4" NPS Connectors (256 Bar)
<b>H-7507-150</b>	Twin Hose Assembly 15m with 3/16" bore air and fluid hoses with 1/4" NPS Connectors (256 Bar)

## Quick Disconnect Fittings

Part no.	Description
<b>MPV-5</b>	Quick coupling shaft with 3/4 inch female thread connection (fits to spray gun inlets)
<b>MPV-424</b>	Quick coupling shaft with 3/4 inch male thread connection (fits to hose end)
<b>MPV-10</b>	Quick coupling shaft with 3/4 inch male thread connection
<b>MPV-462</b>	Quick coupling shaft with 3/4 inch female thread connection (fits to regulator valves)
<b>MPV-463</b>	Economy Pack, contains one specimen of each of the above parts
<b>P-HC-4482</b>	Quick coupling system - 3/8 inch BSP - fluid
<b>QDL-4808</b>	Quick coupling connection - fluid
<b>SSQD-6B-316</b>	Quick coupling system, SR 3/8 inch male thread
<b>SS-STEM-6B-316</b>	Quick coupling shaft, 3/8 inch female thread
<b>190761</b>	Quick coupling body (hose end)
<b>201120</b>	Quick coupling shaft (gun end) stainless steel

## In-line Fluid Regulators



HGB-509-5-R38

Part no.	Manual control	Pneumatic control	Inlet pressure (min./max) bar (psi)	Outlet pressure (min./max) bar (psi)	Gauge bar (psi)
HGB-509-5-R38	●	-	2 (29)/12,5 (181)	1 (14)/5 (72)	-
HGB-609-1.2-R38	●	-	1 (14)/8 (116)	0.15 (2)/1.2 (17)	MA-25 2.5(35)
HGB-609-5-R38	●	-	2 (29)/12,5 (181)	1 (14)/5 (72)	83-2727 7(100)
HGB-609-9-R38	●	-	3/15 (217)	3 (43)/9 (130)	GA-288 11(160)
HGB-510-R1	-	●	2 (29)/15 (217)	0.5 (7)/15 (217)	-
HGB-510-R2	-	●	1 (14)/15 (217)	0.15 (2)/7	-
HGB-510-R4	-	●	1 (14)/15 (217)	0.15 (2)/4	-
84-598	-	●	2 (29)/15 (217)	0.5 (7)/15 (217)	-

## Gun-Mounted Fluid Regulators



HGS-5112

Part no.	Manual control	Pneumatic control	Inlet pressure (min./max) bar (psi)	Outlet pressure (min./max) bar (psi)	Circulating	Inlet	Outlet
HGS-5132	-	●	3.5 (50)/20 (290)	0.14 (2)/7 (101)	-	1/8" NPT	3/8"
HGS-5112	-	●	3.5 (50)/20 (290)	0.14 (2)/7 (101)	●	1/4" NPS M	3/8"
HGS-5211	●	-	3.5 (50)/20 (290)	0.14 (2)/7 (101)	●	1/4" NPS M	Bay.
HGS-5222	●	-	3.5 (50)/20 (290)	0.14 (2)/7 (101)	●	3/8" NPS M	3/8"
HGS-5212	●	-	3.5 (50)/20 (290)	0.14 (2)/7 (101)	●	1/4" NPS M	3/8"
HGS-5239	●	-	3.5 (50)/20 (290)	0.14 (2)/7 (101)	-	3/8" NPS M	3/8"

## Ransburg DR-1 Fluid Regulator



Part no.	Manual control	Air Pilot control	Ratio	Fluid Inlet pressure Max bar (psi)
74151-01	-	●	1:2	21 (300)
74151-02	-	●	1:4	21 (300)
74151-03	-	●	1:6	21 (300)
74151-04	-	●	1:8	21 (300)
74151-05	-	●	1:10	21 (300)
74151-06	-	●	1:3	21 (300)
74151-11	-	●	1:1	21 (300)

## High Pressure In-line Fluid Regulator



Part no.	Manual control	Pneumatic control	Inlet pressure (min./ max) bar (psi)	Outlet pressure (min./max) bar (psi)
84-420*	●	-	206 (2987)	20.6 (298)/137.8 (1998)

Note: Optional pressure gauges are available for this item:-

84-491 - 69 bar/1000psi

101-3069 - 207 bar/3000psi



### High Pressure/Back Pressure Pilot Controlled Regulators

Part no.	Manual control	Air Pilot control	Inlet pressure max bar (psi)	Outlet pressure (min./max) bar (psi)	Gauge bar (psi)
107906	-	●	350 (5100)	35-240 (500-3500)	167143 345 (5000)
107908 (Back Pressure)	-	●	350 (5100)	35-240 (500-3500)	167143 345 (5000)



### Back Pressure Valves

Part no.	Manual control	Pneumatic control	Inlet pressure (min./max) bar (psi)	Outlet pressure (min./max) bar (psi)
84-404*	●	-	0.7 (10)/9,8 (142)	0.7 (10)/9,8 (142)
HGBR-609	●	-	2 (29)/12.5 (181)	9 (130)
84-601*	●	-	9 (130)	-

84-404

Note: Optional pressure gauges and riser tubes are available for these items:-

84-348 - Riser Tube

83-2744- Gauge 13 bar/200 psi.



### Pilot Controlled and Manual Back Pressure Regulators

Part no.	Manual control	Air Pilot control	Inlet pressure (min./max) bar (psi)	Max Static Pressure bar (psi)
107755 (1 1/2")	-	●	1 (15)/15 (218)	25 (363)
107754 (1 1/2")	●	-	3 (44)/15 (218)	25 (363)
107758 (3/4")	-	●	3 (44)/15 (218)	25 (363)
107757 (3/4")	●	-	3 (44)/15 (218)	25 (363)



### Active Flushable Surge Eliminators

Part no.	Inlet/Outlet Connection Fitting	Inlet/Outlet Connection Description	Maximum Fluid Pressure bar (psi)
104050-A-A	192553	M45 x Slip Flange Assembly	16 (232)
104050-B-B	192554	M45 x 2" Sanitary	16 (232)
104050-C-C	192555	M45 x 1 1/2" Sanitary	16 (232)
104050-D-D	192556	M45 x 1 1/2" NPT (Female)	16 (232)
104050-E-E	192557	M45 x 1 1/2" BSPT (Female)	16 (232)
104050-F-F	192258	M45 x 42mm Compression Coupling	16 (232)
104050-G-G	192559	M45 x 1 1/4" BSP (H)	16 (232)
104050-H-H	192560	M45 x 1 1/2" BSP (H)	16 (232)
104050-L-L	192564	M45 x 1" Sanitary	16 (232)



### Standalone Active Surge Chambers

Part no.	Inlet/Outlet Connection Fitting	Inlet/Outlet Connection Description	Maximum Fluid Pressure bar (psi)
DXA-SC11B		1/2" BSPP F	7 (100)
DXA-SC31B		1/2" BSPP F	21 (305)



Standard/Flushable Surge Eliminators

Part no.	Inlet/Outlet Connection Fitting	Inlet/Outlet Connection Description	Maximum Fluid Pressure bar (psi)
104052-S	192723	1" Sanitary	16 (232)
104052-T	192724	3/4" NPT (Female)	16 (232)
104052-U	192725	3/4" BSPT (Female)	16 (232)



## Air Fed Visors

	Description	Part no.
<b>PRO VISOR</b>	Complete air fed visor kit with full mask and accessories	<b>PROV-650</b>

This unit is 'CE' marked to PPE Directive 89/686/EEC and conforms to EN 14594:2005 Class 3A. Please contact your CFT representative for suitability with electrostatic applications.



	Description	Part no.
<b>"VALUAIR"</b> Half mask respirator	Protective goggles for use with half masks	<b>MPV-4006</b>



	Description	Part no.
<b>"FREEDOM"</b> Half mask respirator	Protective goggles for use with half masks	<b>MPV-4006</b>



**Pro-Air 1/2/3**



	Outlets	Part no.
Filter/compressed air regulator, air throughput max. 3,500 l/min. (up to 80°C)	2 adjustable	<b>PROAIR-1</b>
Fine filter/compressed air regulator coalescer, air throughput max. 900 l/min. (up to 80°C)	2 adjustable	<b>PROAIR-2</b>
Filter/compressed air regulator coalescer, air throughput max. 900 l/min. (up to 80°C)	2 adjustable	<b>PROAIR-3</b>

**Finish Line Air Filter Regulators/Coalescers**



	Part no.
Filter/compressed air regulator, air filtration down to 20 microns, high quality manufacture, airflow of 70cfm (at 7 bar -100 psi inlet pressure). Lockable and removable (tamperproof) control	<b>FLFR-1</b>
Compact, low cost single operator filter regulator & coalescer, filtration down to 0.01 microns suitable for air mask or visor. Not suitable for low bake temperature	<b>FLRC-1</b>
A 3/8" (port size) coalescing (fine oil) filter, Air filtration down to 0.01 microns suitable for air mask or visor, replacement filter element. Maximum working pressure 18 bar (260 psi)	<b>FLCF-1</b>
High efficiency filter designed to remove dirt, liquid, oil and water from spraying and breathing air, filtration down to 0.01 microns plus activated carbon filter removing contaminants down to 0.003ppm	<b>FLRCAC-1</b>



For medium to heavy viscosity materials  
With adjustable spray gap

3/4" (19mm) clearance diameter,  
0.062" tip supplied as standard

Supplied with 52-363 right angle spray tip

**"Type C" - 360 degree circular spray**

Length	Advance Conv.	Cobra 2	AG-362
6"	EXTADV-C-06	EXTCB2-C-06	EXT362-C-06
9"	EXTADV-C-09	EXTCB2-C-09	EXT362-C-09
12"	EXTADV-C-12	EXTCB2-C-12	EXT362-C-12
15"	EXTADV-C-15	EXTCB2-C-15	EXT362-C-15
18"	EXTADV-C-18	EXTCB2-C-18	EXT362-C-18
24"	EXTADV-C-24	EXTCB2-C-24	EXT362-C-24
27"	EXTADV-C-27	EXTCB2-C-27	EXT362-C-27
30"	EXTADV-C-30	EXTCB2-C-30	EXT362-C-30
36"	EXTADV-C-36	EXTCB2-C-36	EXT362-C-36
48"	EXTADV-C-48	EXTCB2-C-48	EXT362-C-48
60"	EXTADV-C-60	EXTCB2-C-60	EXT362-C-60
72"	EXTADV-C-72	EXTCB2-C-72	EXT362-C-72
84"	EXTADV-C-84	EXTCB2-C-84	EXT362-C-84



For low to medium viscosity materials  
With adjustable spray gap

3/8" (9.5mm) clearance diameter

**"Type SC" - 360 degree circular spray**

Length	Advance Conv.	Cobra 2	AG-362
6"	EXTADV-SC-09	EXTCB2-SC-09	EXT362-SC-09
9"	EXTADV-SC-12	EXTCB2-SC-12	EXT362-SC-12
12"	EXTADV-SC-15	EXTCB2-SC-15	EXT362-SC-15
15"	EXTADV-SC-18	EXTCB2-SC-18	EXT362-SC-18
18"	EXTADV-SC-21	EXTCB2-SC-21	EXT362-SC-21
24"	EXTADV-SC-27	EXTCB2-SC-24	EXT362-SC-27
27"	EXTADV-SC-30	EXTCB2-SC-27	EXT362-SC-30
30"	EXTADV-SC-33	EXTCB2-SC-33	EXT362-SC-33
36"	EXTADV-SC-39	EXTCB2-SC-39	EXT362-SC-39
48"	EXTADV-SC-51	EXTCB2-SC-51	EXT362-SC-51
60"	EXTADV-SC-63	EXTCB2-SC-63	EXT362-SC-63
72"	EXTADV-SC-75	EXTCB2-SC-75	EXT362-SC-75
84"	EXTADV-SC-87	EXTCB2-SC-87	EXT362-SC-87



Forward round spray pattern  
For low to medium viscosity materials using  
0.078" fluid tip

7/16" (11mm) clearance diameter

**"Type SA" - Forward round spray**

Length	Advance Conv.	Cobra 2	AG-362
6"	EXTADV-SA-06	EXTCB2-SA-06	EXT362-SA-06
9"	EXTADV-SA-09	EXTCB2-SA-09	EXT362-SA-09
12"	EXTADV-SA-12	EXTCB2-SA-12	EXT362-SA-12
15"	EXTADV-SA-15	EXTCB2-SA-15	EXT362-SA-15
18"	EXTADV-SA-18	EXTCB2-SA-18	EXT362-SA-18
24"	EXTADV-SA-24	EXTCB2-SA-24	EXT362-SA-24
30"	EXTADV-SA-30	EXTCB2-SA-30	EXT362-SA-30
36"	EXTADV-SA-36	EXTCB2-SA-36	EXT362-SA-36
48"	EXTADV-SA-48	EXTCB2-SA-48	EXT362-SA-48
60"	EXTADV-SA-60	EXTCB2-SA-60	EXT362-SA-60
72"	EXTADV-SA-72	EXTCB2-SA-72	EXT362-SA-72
84"	EXTADV-SA-84	EXTCB2-SA-84	EXT362-SA-84



Supplied with 66BSSx63PB set up  
(fluid tip 0.046")

1 3/4" (44mm) clearance diameter

“Type EA” - Forward fan sprav

Length	Advance Conv.	Cobra 2
6"	EXTADV-EA-06	EXTCB2-EA-06
9"	EXTADV-EA-09	EXTCB2-EA-09
12"	EXTADV-EA-12	EXTCB2-EA-12
15"	EXTADV-EA-15	EXTCB2-EA-15
18"	EXTADV-EA-18	EXTCB2-EA-18
24"	EXTADV-EA-24	EXTCB2-EA-24
30"	EXTADV-EA-30	EXTCB2-EA-30
36"	EXTADV-EA-36	EXTCB2-EA-36
48"	EXTADV-EA-48	EXTCB2-EA-48
60"	EXTADV-EA-60	EXTCB2-EA-60
72"	EXTADV-EA-72	EXTCB2-EA-72
84"	EXTADV-EA-84	EXTCB2-EA-84



Supplied with PRO C2 conventional air cap  
and 1.2 mm fluid tip.

To fit AG-362 automatic gun.

“Type EA” - Forward fan spray for AG-362 only

Length	AG-362
6"	EXT362-EA-06
9"	EXT362-EA-09
12"	EXT362-EA-12
15"	EXT362-EA-15
18"	EXT362-EA-18
24"	EXT362-EA-24
30"	EXT362-EA-30
36"	EXT362-EA-36
48"	EXT362-EA-48
60"	EXT362-EA-60
72"	EXT362-EA-72
84"	EXT362-EA-84

“Type EAX” - Forward fan spray



Supplied with J2SS x AA1 fan spray set up  
(fluid tip 0.043")

7/8" (22mm) clearance diameter

46-1042 round spray cap (optional)

Length	Advance Conv.	Cobra 2	AG-362
6"	EXTADV-EAX-06	EXTCB2-EAX-06	EXT362-EAX-06
9"	EXTADV-EAX-09	EXTCB2-EAX-09	EXT362-EAX-09
12"	EXTADV-EAX-12	EXTCB2-EAX-12	EXT362-EAX-12
15"	EXTADV-EAX-15	EXTCB2-EAX-15	EXT362-EAX-15
18"	EXTADV-EAX-18	EXTCB2-EAX-18	EXT362-EAX-18
24"	EXTADV-EAX-24	EXTCB2-EAX-24	EXT362-EAX-24
30"	EXTADV-EAX-30	EXTCB2-EAX-30	EXT362-EAX-30
36"	EXTADV-EAX-36	EXTCB2-EAX-36	EXT362-EAX-36
48"	EXTADV-EAX-48	EXTCB2-EAX-48	EXT362-EAX-48
60"	EXTADV-EAX-60	EXTCB2-EAX-60	EXT362-EAX-60
72"	EXTADV-EAX-72	EXTCB2-EAX-72	EXT362-EAX-72
84"	EXTADV-EAX-84	EXTCB2-EAX-84	EXT362-EAX-84



Supplied with 66BSSx63PB set up  
(fluid tip 0.046")

3" (76mm) clearance diameter

### "Type EB" - 90 degree fan spray

Length	Advance Conv.	Cobra 2
6"	EXTADV-EB-06	EXTCB2-EB-06
9"	EXTADV-EB-09	EXTCB2-EB-09
12"	EXTADV-EB-12	EXTCB2-EB-12
15"	EXTADV-EB-15	EXTCB2-EB-15
18"	EXTADV-EB-18	EXTCB2-EB-18
24"	EXTADV-EB-24	EXTCB2-EB-24
30"	EXTADV-EB-30	EXTCB2-EB-30
36"	EXTADV-EB-36	EXTCB2-EB-36
48"	EXTADV-EB-48	EXTCB2-EB-48
60"	EXTADV-EB-60	EXTCB2-EB-60
72"	EXTADV-EB-72	EXTCB2-EB-72
84"	EXTADV-EB-84	EXTCB2-EB-84



Supplied with PRO C2 conventional air cap  
and 1.2 mm fluid tip.

To fit AG-362 automatic gun.

### "Type EB" - 90 degree fan spray for AG-362 only

Length	AG-362
6"	EXT362-EB-06
9"	EXT362-EB-09
12"	EXT362-EB-12
15"	EXT362-EB-15
18"	EXT362-EB-18
24"	EXT362-EB-24
30"	EXT362-EB-30
36"	EXT362-EB-36
48"	EXT362-EB-48
60"	EXT362-EB-60
72"	EXT362-EB-72
84"	EXT362-EB-84



Supplied with J2SS x AA1 fan spray set up  
(fluid tip 0.043")

1 7/8" (45mm) clearance diameter

42-1042 roundspray cap (optional)

### "Type EBX" - 90 degree fan spray

Length	Advance Conv.	Cobra 2	AG-362
6"	EXTADV-EBX-06	EXTCB2-EBX-06	EXT362-EBX-06
9"	EXTADV-EBX-09	EXTCB2-EBX-09	EXT362-EBX-09
12"	EXTADV-EBX-12	EXTCB2-EBX-12	EXT362-EBX-12
15"	EXTADV-EBX-15	EXTCB2-EBX-15	EXT362-EBX-15
18"	EXTADV-EBX-18	EXTCB2-EBX-18	EXT362-EBX-18
24"	EXTADV-EBX-24	EXTCB2-EBX-24	EXT362-EBX-24
30"	EXTADV-EBX-30	EXTCB2-EBX-30	EXT362-EBX-30
36"	EXTADV-EBX-36	EXTCB2-EBX-36	EXT362-EBX-36
48"	EXTADV-EBX-48	EXTCB2-EBX-48	EXT362-EBX-48
60"	EXTADV-EBX-60	EXTCB2-EBX-60	EXT362-EBX-60
72"	EXTADV-EBX-72	EXTCB2-EBX-72	EXT362-EBX-72
84"	EXTADV-EBX-84	EXTCB2-EBX-84	EXT362-EBX-84

“Type EN” - 45 degree fan spray



Supplied with 66BSSx66PB set up (fluid tip 0.046")  
2 5/8" (67mm) clearance diameter

Length	Advance Conv.	Cobra 2
6"	EXTADV-EN-06	EXTCB2-EN-06
9"	EXTADV-EN-09	EXTCB2-EN-09
12"	EXTADV-EN-12	EXTCB2-EN-12
15"	EXTADV-EN-15	EXTCB2-EN-15
18"	EXTADV-EN-18	EXTCB2-EN-18
24"	EXTADV-EN-24	EXTCB2-EN-24
30"	EXTADV-EN-30	EXTCB2-EN-30
36"	EXTADV-EN-36	EXTCB2-EN-36
48"	EXTADV-EN-48	EXTCB2-EN-48
60"	EXTADV-EN-60	EXTCB2-EN-60
72"	EXTADV-EN-72	EXTCB2-EN-72
84"	EXTADV-EN-84	EXTCB2-EN-84

“Type EN” - 45 degree fan spray for AG-362 only



Supplied with PRO C2 conventional air cap and 1.2 mm fluid tip.  
To fit AG-362 automatic gun.

Length	Part Number - AG-362
6"	EXT362-EN-06
9"	EXT362-EN-09
12"	EXT362-EN-12
15"	EXT362-EN-15
18"	EXT362-EN-18
24"	EXT362-EN-24
30"	EXT362-EN-30
36"	EXT362-EN-36
48"	EXT362-EN-48
60"	EXT362-EN-60
72"	EXT362-EN-72
84"	EXT362-EN-84

“Type ENX” - 45 degree fan spray



Supplied with J2SS x AA1 fan spray set up (fluid tip 0.043")  
1 3/4" (44mm) clearance diameter  
42-1042 round spray cap (optional)

Length	Advance Conv.	Cobra 2	AG-362
6"	EXTADV-ENX-06	EXTCB2-ENX-06	EXT362-ENX-06
9"	EXTADV-ENX-09	EXTCB2-ENX-09	EXT362-ENX-09
12"	EXTADV-ENX-12	EXTCB2-ENX-12	EXT362-ENX-12
15"	EXTADV-ENX-15	EXTCB2-ENX-15	EXT362-ENX-15
18"	EXTADV-ENX-18	EXTCB2-ENX-18	EXT362-ENX-18
24"	EXTADV-ENX-24	EXTCB2-ENX-24	EXT362-ENX-24
30"	EXTADV-ENX-30	EXTCB2-ENX-30	EXT362-ENX-30
36"	EXTADV-ENX-36	EXTCB2-ENX-36	EXT362-ENX-36
48"	EXTADV-ENX-48	EXTCB2-ENX-48	EXT362-ENX-48
60"	EXTADV-ENX-60	EXTCB2-ENX-60	EXT362-ENX-60
72"	EXTADV-ENX-72	EXTCB2-ENX-72	EXT362-ENX-72
84"	EXTADV-ENX-84	EXTCB2-ENX-84	EXT362-ENX-84



Supplied with J2SS x AA1 fan spray set up (fluid tip 0.043")

2" (51mm) clearance diameter

42-1042 round spray cap (optional)

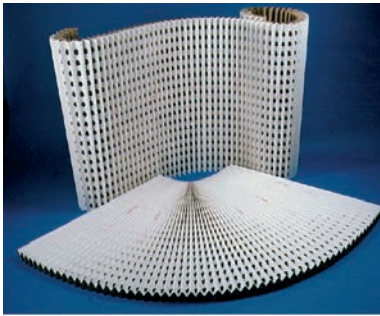
**"Type ERX" - 30 degree reverse fan spray**

Length	Advance Conv.	Cobra 2	AG-362
6"	EXTADV-ERX-06	EXTCB2-ERX-06	EXT362-ERX-06
9"	EXTADV-ERX-09	EXTCB2-ERX-09	EXT362-ERX-09
12"	EXTADV-ERX-12	EXTCB2-ERX-12	EXT362-ERX-12
15"	EXTADV-ERX-15	EXTCB2-ERX-15	EXT362-ERX-15
18"	EXTADV-ERX-18	EXTCB2-ERX-18	EXT362-ERX-18
24"	EXTADV-ERX-24	EXTCB2-ERX-24	EXT362-ERX-24
30"	EXTADV-ERX-30	EXTCB2-ERX-30	EXT362-ERX-30
36"	EXTADV-ERX-36	EXTCB2-ERX-36	EXT362-ERX-36
48"	EXTADV-ERX-48	EXTCB2-ERX-48	EXT362-ERX-48
60"	EXTADV-ERX-60	EXTCB2-ERX-60	EXT362-ERX-60
72"	EXTADV-ERX-72	EXTCB2-ERX-72	EXT362-ERX-72
84"	EXTADV-ERX-84	EXTCB2-ERX-84	EXT362-ERX-84

**Bare spray guns for use with Extensions**

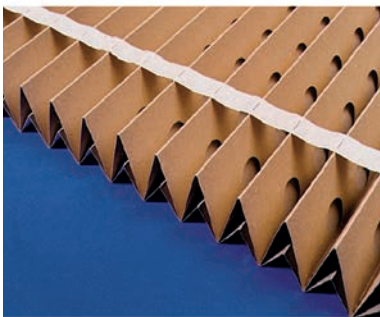
Gun	Part Number
Advance Pressure Conventional less air cap, retaining ring, tip and needle	ADV-P000-00
AG-362 Conventional less air cap, retaining ring tip and needle without base	AG362-000-00
AG-362 Conventional less air cap, retaining ring tip and needle with screw base (no recirculation)	AG362-000-00-S
AG-362 Conventional less air cap, retaining ring tip and needle with screw base (recirculation)	AG362-000-00-T
AG-362 Conventional less air cap, retaining ring tip and needle with lever base	AG362-000-00-L
Cobra 2 Conventional less air cap, retaining ring tip and needle	CBA2-000-00

The above guns will only be supplied with extensions and can not be purchased separately.



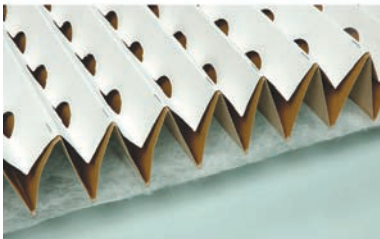
### ECO Spray booth filter paper

Part no.	Size
<b>207229EF</b>	H 90 x L 924 cm (36" x 30 ft) - 10 Yards <sup>2</sup>
<b>207900EF</b>	H 75 x L 1,346 cm (30" x 44 ft) - 10m <sup>2</sup>
<b>207901EF</b>	H 90 x L 1,115 cm (36" x 36 ft) - 10m <sup>2</sup>
<b>207902EF</b>	H 100 x L 1,038 cm (39" x 34 ft) - 10m <sup>2</sup>



### Standard Spray booth filter paper

Part no.	Size
<b>207229F</b>	H 90 x L 924 cm (36" x 30 ft) - 10 Yards <sup>2</sup>
<b>207900F</b>	H 75 x L 1,346 cm (30" x 44 ft) - 10m <sup>2</sup>
<b>207901F</b>	H 90 x L 1,115 cm (36" x 36 ft) - 10m <sup>2</sup>
<b>207902F</b>	H 100 x L 1,038 cm (39" x 34 ft) - 10m <sup>2</sup>



### Super Efficiency Spray booth filter paper

Part no.	Size
<b>207229 SEF</b>	H 90 x L 600 cm (36" x 20ft) - 5.4m <sup>2</sup>
<b>207902 SEF</b>	H 100 x L 800 cm (39" x 27 ft) - 8m <sup>2</sup>
<b>207901SEF</b>	H 90 x L 914 cm (36" x 30ft) - 8m <sup>2</sup>



**Professional Spray Gun Cleaning Kit**

Part no.	Description
<b>KK-4584</b>	Professional spray gun cleaning kit



**In-Line Air Filter**

Part no.	Description
<b>HAF-507</b>	In-line air filter



**Gun Cleaning Brushes**

Part no.	Description
<b>4900-5-1-K3</b>	Gun cleaning brushes x 3



**In-Line Air Adjusting Valve**

Part no.	Description
<b>HAV-501-B</b>	In-line air adjusting valve



**Suction Cup Filters**

Part no.	Description
<b>KR-484-K10</b>	51 mesh filter screen x 10
<b>KR-483-K10</b>	130 mesh filter screen x 10



**Gun Mounted Filters**

Part no.	Description
<b>VSA-3-K5</b>	Spare 60 micron Green Filter x 5
<b>VSA-4-K5</b>	Spare 112 micron Blue Filter x 5
<b>VSA-5-K5</b>	Spare 280 micron White Filter x 5



**Drip free Diaphragms**

Part no.	Description
<b>KR-115-K5</b>	Drip free diaphragms



**Disposable Pressure Tank Liners**

Part no.	Description
<b>PT-78-K10 10L</b>	(2.8gal) - 10 pack
<b>PT-78-K60 10L</b>	(2.8 gal) - 60 pack
<b>PTL-412-K8 40L</b>	(11.8 gal) - 8 pack
<b>PTL-415-K10 60L</b>	(19.8 gal) - 10 pack



**Suction Cup Lid Gaskets**

Part no.	Description
<b>KR-11-K3</b>	Tri seal gaskets x 3
<b>KR-69-K3</b>	Leather gaskets x 3



**"Uni" Swivel Fitting (Low Pressure)**

Part no.	Description
<b>MPV-60-K3</b>	Uni Swivel Fitting (Pack of 3)



**Mixing Cups**

Part no.	Description
<b>MC-1-K50</b>	Mixing cups x 50



**Spot Pots**

Part no.	Description
<b>KR-110-K3</b>	0.5 litre Spot Pot - 3 pack



**Viscosity Cups**

Part no.	Description
<b>7000-114-K2</b>	Viscosity x 2



**Gravity Gun Stands**

Part no.	Description
<b>GFV-50-F</b>	Single gravity gun bench top stand
<b>GGG-1</b>	3 gun stand



**Gravity Cups Filters**

Part no.	Description
<b>KGP-5-K5</b>	Gravity cup filters x 5
<b>KGP-5-K10</b>	Gravity cup filters x 10



**Mini Filter (Fluid)**

Part no.	Description
<b>MF-6B-70B</b>	74 micron mesh 3/8" BSP
<b>MF-6B-100B</b>	100 micron mesh 3/8" BSP
<b>MF-6B-150B</b>	149 micron mesh 3/8" BSP
<b>MF-6B-200B</b>	200 micron mesh 3/8" BSP





Conductive Gloves

Part no.	Description
<b>76633-00-L-K12</b>	Conductive gloves x 12, size L



Disposable Gun Covers

Part no.	Description
<b>79529-00-K5</b>	Disposable gun covers x 5 for Vector and Solo
<b>80395-00-K10</b>	Disposable gun covers x 10 for RansFlex
<b>80395-00-K100</b>	Disposable gun covers x 100 for RansFlex



Protection Hose

Part no.	Description
<b>11775-05</b>	Protection hose 55mm grey
<b>11775-10</b>	Protection hose 30mm grey



DeKups Disposable Cup System

Part no.	Description
<b>DPC-601</b>	Kit contains 32 disposable lids and liners.
<b>DPC-606</b>	Kit contains 2 disposable lids and liners

Spray Gun Oil

Part no.	Description
<b>GL-1-K10</b>	Kit of 10 sachets of spray gun oil



VS-522 Fluid Strainer

Part no.	Description
<b>VS-522</b>	Fluid strainer complete with 150 micron filter
<b>VS-55</b>	Replacement 150 micron conical filter element



Booth Wall Coat/Clear Glass Coat

Part no.	Description
<b>DC-BWC-K</b>	Complete kit to spray entire booth including windows. 4 x bottles of Booth Wall Coat (3.78 l each) and 1 bottle of Clear Glass Coat (0.94 l)
<b>DC-CGC-K6</b>	Kit of 6 x bottles of Clear Glass Coat

Booth Wall Coat & Clear Glass Coat are only available in Mainland UK.

Innovation Applied



@CarlisleFT



North America  
EMEA  
China  
Japan

+1 800 992-4657  
+44 (0) 1202 571111  
+86 21 33730108  
+81 045 785-6434

marketing@carlisleft.com  
marketing-eu@carlisleft.com  
mkt\_cn@carlisleft.com  
marketing-jp@carlisleft.com

**BGK**  
A CARLISLE BRAND

**BINKS**  
A CARLISLE BRAND

**DEVILBISS**  
A CARLISLE BRAND

**ECCO**  
A CARLISLE BRAND

**Hosco**  
A CARLISLE BRAND

**ms**  
A CARLISLE BRAND

**Ransburg**  
A CARLISLE BRAND